

EXCEL
life

WHERE SMART MEETS STYLE

WIRING
DEVICES FOR
COMMERCIAL
APPLICATIONS



CATALOGUE
PAGES
→ INSIDE

THE GLOBAL SPECIALIST
IN ELECTRICAL AND DIGITAL BUILDING INFRASTRUCTURES

 **legrand**[®]

SOLUTIONS FOR COMMERCIAL



Add charging stations to conference halls and meeting rooms
See page 36



EC787/ZXWE + EMUSB2PSAW + EMUSB1CWE

EFFICIENCY TIPS

Try these skirting sensor lights in corridors
See page 38



EC511WE

Fan controller with Time-delay
Ideal for conserving energy, automatically turns fan off after chosen time.
See page 42



ES650TD2WE

Secure Plate Switches
Ideal for areas prone to vandalism
See page 42



ES770/26PLWE + 2 x EM770WE

International Standard Shaver Socket
See page 38



EC798WE

MECHANISMS FOR EVERY PROJECT IMPROVING PRODUCTIVITY AND CONVENIENCE

Whether your latest project is an office, restaurant or retail store, Excel Life has everything you need to facilitate and improve the behind-the-scenes of businesses and organisations - it offers the most comprehensive range of functions, in one range, on the market.

Product Environmental Profiles (PEPs) are available for key products - outlining materials, manufacturing, distribution, usage and end-of-life product management.



077599

Wireless Chargers
Perfect for public spaces and high traffic areas
See page 31

CUSTOMISE THE PERFECT PANELS FOR STAFF-ONLY AREAS

See page 41



ECCW2HPLWE + 2 x EC770/66PLWE + EM800BPBLWE + EM800BPRDWE + EMRCARDWE + EM820BL1WE + EMRJ45C6WE + EMRJ45C6BU + 2 x EM400TRWE + 2 x EMFCWE + EM770WE + EM770CARED

ECCW2HPLWE + EC770/66PLWE + EM800BPBLWE + EM800BPRDWE + EMRCARDWE + EMRCAYELWE + EMRJ45C6WE + EMRJ45C6BU + ECFRAME + 2 x EM910HDMIWE + EM910USBWE

Multimedia Panels
Data, video and audio distribution for meeting and function rooms
See page 41

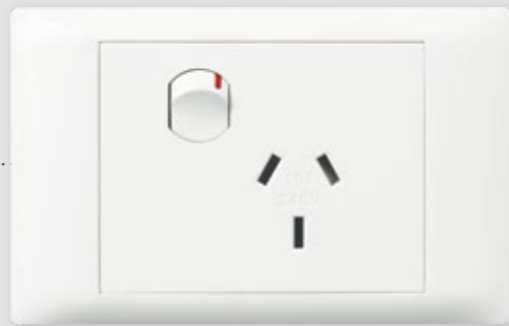


FAST & SAFE POWERPOINTS TO INSTALL

METICULOUSLY ENGINEERED POWERPOINTS

We've taken the time to look at single and double powerpoints to make them fast and safe to install. Featuring funnel shaped terminals and super-hard deep screw heads, these powerpoints will withstand the force of any drill.

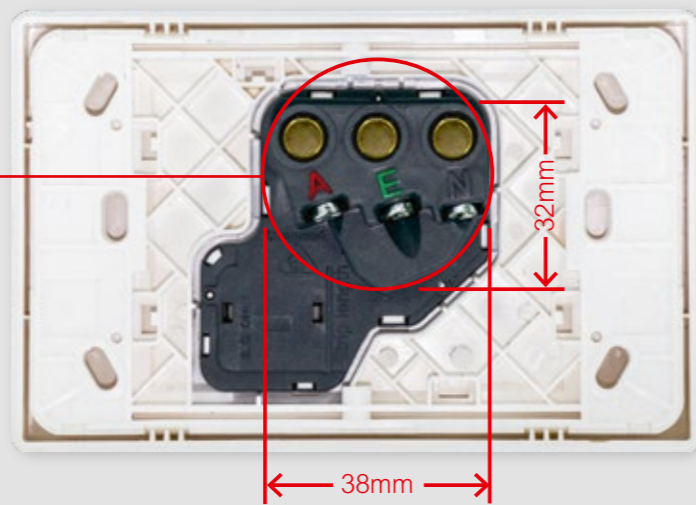
SINGLE POWERPOINT



ED787WE

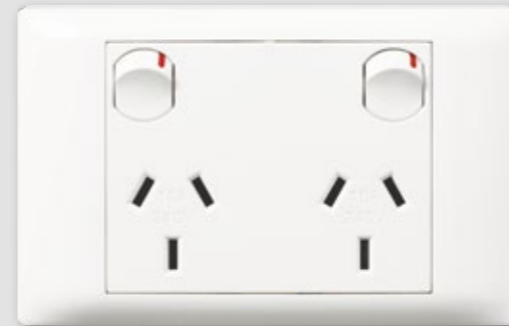
Inbuilt Child Safety Shutters
Ensures no accidental contact with live components

Easy Install in Cabinetry
Fits into 1 x Ø40mm hole



38mm
Small Footprint
Only 38mm wide

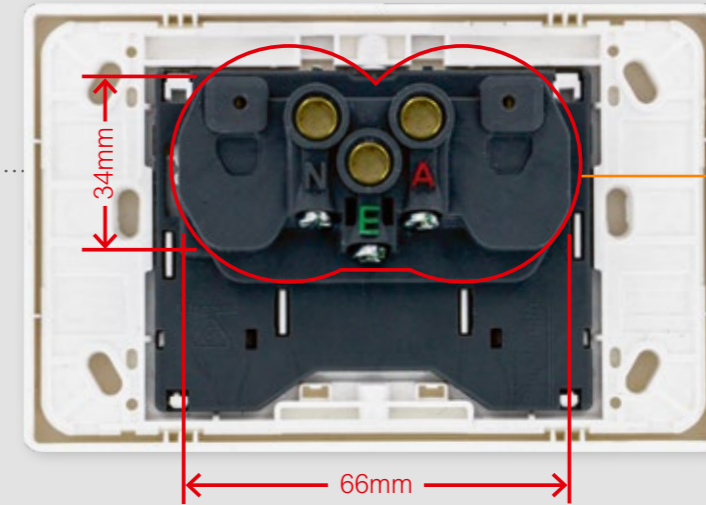
DOUBLE POWERPOINT



ED777WE

Inbuilt Child Safety Shutters
Ensures no accidental contact with live components

Easy Install in Cabinetry
Fits into 2 x Ø40mm holes



66mm
Small Footprint
Only 66mm wide

INNOVATIONS ACROSS THE SINGLE AND DOUBLE POWERPOINTS

Guided Cable Terminals



Over-Sized Mounting Holes



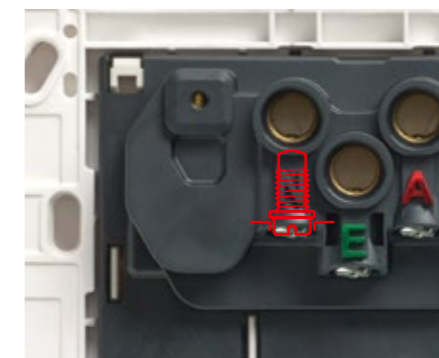
Raised Insulation Barriers



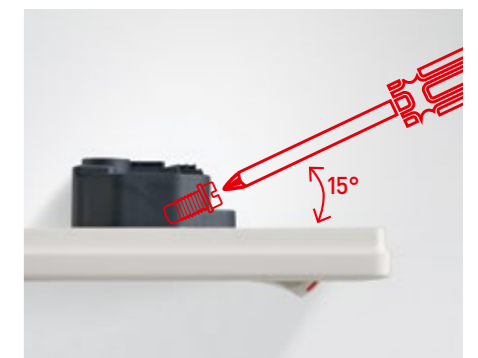
Carburised Steel Screws



Captive Screws



Ergonomically Angled Screws



INNOVATIVE CHARGING SOLUTIONS



FASTEST USB POWERPOINTS

In this modern world, speed counts. Our USB powerpoints super charge at 2 x 2.4A, the fastest on the market! They have been designed to charge devices at their maximum speed including the latest products.



EC777USB2ACWE

FUTURE-PROOF YOUR CHARGING

Our Hybrid Type A+C charger allows the use of Type-A USB charging which is currently the standard. It also includes a Type-C port for newer electronics such as Apple & Samsung devices



EC770/36PLWE + 3 x EMUSB2PSAWE

MAKE A MEGA USB CHARGING STATION

Add to kitchen pantries, nooks and studies for a tidier charging solution



EC777USB2IWE

EASY RETROFIT

This double powerpoint with Integrated USB makes wall boxes and masonry applications a breeze. Available in dual Type A or Type A+C



EDWCWEMS

CHARGE WITHOUT CORDS

Convenient charging without the hassle of cords. Simply place your device* on the cradle to charge the battery

*Qi compatible devices only. For full list of compatible devices visit www.wirelesspowerconsortium.com



MOVING TOWARD USB-C

USB Type-C has been adopted by all the major tech companies. Boasting faster charging and ease of use, USB-C is compatible with all the latest devices including iPad Pro, iPad 8G, iPhone 12 and MacBook Pro.



Light switches
common plate series



Pack	Cat No.	Common plate vertical switches 230-240V a.c.
10	EC770/1WE	Rocker mechanism SPDT 16A fluoro rated 16AX ○ White - 1 gang
10	EC770/2WE	○ White - 2 gang
10	EC770/3WE	○ White - 3 gang
10	EC770/4WE	○ White - 4 gang
10	EC770/5WE	○ White - 5 gang
10	EC770/6WE	○ White - 6 gang
10	EC770/40WE	Rocker mechanism 40A ○ White - 1 gang
10	EC770/40DPWE	Rocker mechanism double pole 40A ○ White - 1 gang
10	EC770/40DPCTPWE	Rocker mechanism double pole engraved 'COOKTOP' 40A ○ White - 1 gang

Light switches
common plate series IP66



Pack	Cat No.	Common plate vertical switches IP66 230-240V a.c.
5	EC770/1IPWE	Rocker mechanism SPDT 16A fluoro rated 16AX ○ White - 1 gang
5	EC770/2IPWE	○ White - 2 gang
5	EC770/1HIPWE	Common plate horizontal switches IP66 230-240V a.c. Rocker mechanism SPDT 16A fluoro rated 16AX ○ White - 1 gang
5	EC770/2HIPWE	○ White - 2 gang

Powerpoints – common plate series



Pack	Cat No.	Common plate horizontal double powerpoints 230-240V a.c.
10	EC777WE	Internal safety shutters in all powerpoints Double powerpoint 10A ○ White
10	EC777XWE	Double powerpoint with extra function hole 10A ○ White
10	EC777AWE	Double autoswitch powerpoint 10A ○ White
10	EC777DPWE	Double powerpoint double pole 10A ○ White
10	EC777RWE	Double round-earth powerpoint 10A ○ White
10	EC777/15WE	Double powerpoint 15A ○ White
10	EC777/15DPWE	Double powerpoint double pole 15A ○ White
10	EC777/15XWE	Double powerpoint with extra function hole 15A ○ White
10	EC777USB2IWE	Common plate horizontal USB powerpoints 230-240V a.c. Internal safety shutters on all powerpoints Double powerpoint 10A, with integrated USB charger 2.4A Type A ○ White
10	EC777USB2IACWE	Double Powerpoint 10A, with integrated USB charger 2.4A Type A+C ○ White

Pack	Cat No.	Common plate vertical double powerpoints 230-240V a.c.
10	ECV777WE	Internal safety shutters in all powerpoints Vertical double powerpoint 10A ○ White
10	ECV777XWE	Vertical double powerpoint with extra function hole 10A ○ White
10	ECV777AWE	Vertical double autoswitch powerpoint 10A ○ White

AVAILABLE FROM JULY 2021

Red catalogue number: new product

Powerpoints – common plate series



Pack	Cat No.	Common plate horizontal single powerpoints 230-240V a.c.
10	EC787WE	Internal safety shutters in all powerpoints Single powerpoint 10A ○ White
10	EC787XWE	Single powerpoint with extra function hole 10A ○ White
10	EC787/2XWE	Single powerpoint with 2 extra function holes 10A ○ White
10	EC787AWE	Single autoswitch powerpoint 10A ○ White
10	EC787ARWE	Single autoswitch round-earth powerpoint 10A ○ White
10	EC787DPWE	Single double pole powerpoint 10A ○ White
10	EC787RWE	Single round-earth powerpoint 10A ○ White
10	EC787/15WE	Single powerpoint 15A ○ White
10	EC787/15XWE	Single powerpoint with extra function hole 15A ○ White
10	EC787A/15WE	Single autoswitch powerpoint 15A ○ White
10	EC787/15DPWE	Single double pole powerpoint 15A ○ White
10	EC787/20WE	Single powerpoint 20A ○ White

Pack	Cat No.	Common plate horizontal single powerpoints 230-240V a.c.
10	EC787/25WE	Internal safety shutters in all powerpoints Single powerpoint 25A ○ White
10	EC787U/32WE	Single powerpoint 32A unswitched ○ White
10	ES777WE	Secure plate horizontal powerpoints 230-240V a.c. Internal safety shutters in all powerpoints Double powerpoint 10A ○ White
10	ES787WE	Single powerpoint 10A ○ White
10	ECV787WE	Common plate vertical single powerpoints 230-240V a.c. Internal safety shutters in all powerpoints Vertical single powerpoint 10A ○ White
10	ECV787XWE	Vertical single powerpoint with extra function hole 10A ○ White
10	ECV787/2XWE	Vertical single powerpoint with 2 extra function holes 10A ○ White
10	ECV787RWE	Vertical single round-earth powerpoint 10A ○ White
10	ECV787ARWE	Vertical single autoswitch round-earth powerpoint 10A ○ White
10	ECV787/15WE	Vertical single powerpoint 15A ○ White
10	ECV787A/15WE	Vertical single autoswitch powerpoint 15A ○ White

Mechanical mechanisms



Pack	Cat No.	Rotary switch mechanisms 230-240V a.c., 16A
10	EMRSWE	All-in-one solution comes with 6 marking plate options and 180°, 270° and 360° rings ○ White ● Urban Grey ● Black
10	EMRSUG	
10	EMRSBL	
10	EM820KLIOWE	Keylock switch mechanisms 230-240V a.c., 20A Key removable in 'ON' only position fluoro rated 20AX ○ White ● Urban Grey
10	EM820KLIUG	
10	EM820KLOWE	Key removable in 'OFF' only position fluoro rated 20AX ○ White ● Urban Grey
10	EM820KLOUG	
10	EM820KLIOWE	Key removable in 'OFF' or 'ON' position fluoro rated 20AX ○ White ● Urban Grey
10	EM820KLIUG	
10	EM820BL1WE	BiLock™ switch mechanisms* 230-240V a.c., 20A Suitable for high security applications. Can be installed on 1 gang plate or single powerpoint with 2 extra function holes and blanking insert Key removable in 'ON' only position fluoro rated 20AX ○ White
10	EM820BLOWE	Key removable in 'OFF' only position fluoro rated 20AX ○ White
10	EM820BL10WE	Key removable in 'OFF' or 'ON' position fluoro rated 20AX ○ White
1	EM770/20KT	Mechanical keytag switches 230-240V a.c., 20A Single pole single throw ○ White
10	EM20A/4KTWE	Mechanical keycard assembly 4x single pole single throw ○ White

*Key not supplied and must be sourced from approved BiLock™ locksmiths

Pack	Cat No.	Internal safety shutters in all powerpoints
10	EM787AWE	Used in conjunction with ECFRAME, Inserts and EDCWPLWE or ECCWPLWE coverplates Powerpoint horizontal mechanisms 230-240V a.c. Single autoswitch powerpoint mechanism 10A ○ White ● Urban Grey
10	EM787AUG	
10	EM787WE	Single powerpoint mechanism 10A ○ White
10	EM787ARWE	Single round earth autoswitch powerpoint mechanism 10A ○ White
10	EM787A/15WE	Single autoswitch powerpoint mechanism 15A ○ White
10	EM787U/20WE	Single unswitched powerpoint mech ○ White 20A ○ White 25A
10	EM787U/25WE	
10	EMV787WE	Powerpoint vertical mechanisms 230-240V a.c. Vertical single powerpoint mechanism 10A ○ White
10	EMV787AWE	Vertical single autoswitch powerpoint mech ○ White 10A ○ White 15A
10	EMV787A/15WE	
10	EA910/OWE	Common Frame Inserts One module inserts for custom made applications. Insert dimension 25 x 57mm Blank insert - 1 Module ○ White ● Urban Grey ● Black
10	EA910/OUG	
10	EA910/OBL	
10	EA910/1WE	1 gang insert - 1 Module ○ White ● Urban Grey ● Black
10	EA910/1UG	
10	EA910/1BL	
10	EA910/2WE	2 gang insert - 1 Module ○ White ● Urban Grey ● Black
10	EA910/2UG	
10	EA910/2BL	

Electronic devices



Pack	Cat No.	Hospitality 230-240V a.c.	Pack	Cat No.	Wireless Chargers
4	EC915WE	Common Plate Series emergency stop push-button 1/4 turn 3AX ○ White	1	ECWCWEMS	Wall-mount 1A Supplied complete with grid & plate ○ White
10	EC917WE	Common Plate Series buzzer 240V a.c., sound level 80dB at 1m ○ White	10	ECUSBWE	Audio and video devices USB type A female outlet ○ White
6	EC918WE	Common Plate Series electronic bell 12-48V, sound level 80dB at 1m ○ White	6	EC910J35WE	3.5mm female audio outlet ○ White
10	EAKEYFOB	Key fob supplied with label holder for individual hotel identification ○ White	4	EC920HDMIWE	HDMI outlet rear pluggable ○ White
10	ECKFSWE	Common Plate Series electronic key fob switch with 30 second time delay ○ White	8	EC920LJWE	Loudspeaker outlet IP41, 6mm terminal capacity ○ White
10	EC20A/4KTWE	Common Plate Series mechanical keycard 85mmx54mm switch white 4 x 20A ○ White	10	EC920MSVIDWE	S-Video outlet mini din ○ White
6	EC924WE	Common Plate Series hotel corridor call indicator 6A ○ White	10	EC920VGAWWE	VGA outlet female connection ○ White
8	EC925WE	Common Plate Series hotel guest room call control 10A ○ White	6	EC914WE	Common Plate Series no touch switch 230-240V a.c., 4A ○ White
6	EC923TWE	Common Plate Series programmable time delay switch 230-240V a.c., 16A Up to 8 weekly programmes, 20hrs working reserve ○ White	6	EC510WE	Common Plate Series skirting lights 230-240V a.c. Permanent skirting light adjustable intensity 0.2 or 1W ○ White
2	EC798WE	Common Plate Series shaver outlet 230-240V a.c., 22VA ○ White	4	EC511WE	○ White
8	EC919WE	Common Plate Series shutter, blind, curtain control 230-240V a.c. Push-button switch (via relay) 6A fast connection terminals ○ White	6	EC520WE	○ White White colour LED
8	EC920WE	Push-button switch (direct control) 6AX (fluoro rated) fast connection terminals ○ White	6	EC521WE	○ White Blue colour LED
			6	EC524WE	○ White Green colour LED
			4	EC570WE	○ White Red colour LED
			4	EC571WE	○ White White colour LED
			4	EC572WE	○ White Green colour LED
			4	EC573WE	○ White Blue colour LED

Cable management, circuit identification and accessories



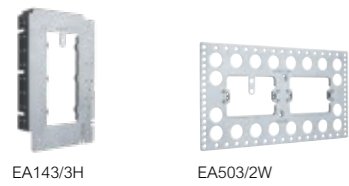
Pack	Cat No.	Cable management
10	EMCCWE	Cord clamp ○ White
10	EMCCUG	● Urban Grey
10	EM910RPWE	Plug and cable retainer module 25x57mm ○ White
10	EMCLIDWE	Circuit identification Blank insert with clear cap used for circuit identification ○ White
10	EMCLIDUG	● Urban Grey
10	EMCLIDBL	● Black
10	ECFRAME	Accessories Support frame Accepts: 3 x 25x57mm inserts or 1 x 50x57mm & 1 x 25x57mm inserts ○ White
50	EAPP	Transparent paint and damage protection shell ○ White
1	EA751	Insulation shroud ○ White
1	EAPWDSREW	Public Works Department mechanism retention kit ○ White - 1 - 4 gang
10	EAPWD5GKIT	○ White - 5 gang
10	EAPWD6GKIT	○ White - 6 gang
10	EACIDLABELWE	Circuit identification labels To be used with EMCLIDWE/UG/BL 10 sheets, 96 labels per sheet ○ White
10	EACIDLABELBU	● Blue
10	EACIDLABELRED	● Red
10	EACIDLABELYE	● Yellow

Panel mount adaptors, inserts and mounting blocks



Pack	Cat No.	Panel mount adaptors
	EA910PMAWE	Suitable for panel thickness of 0.7mm to 3mm 1 Module accepts 1 x 25x57mm inserts 2 Module accepts 50x57mm or 2 x 25x57mm inserts ○ White - 1 module
	EA920PMAWE	○ White - 2 modules
10	EA910/0WE	Support frame inserts One module inserts for custom made applications. Insert dimension 25 x 57mm Blank insert - 1 module ○ White
10	EA910/0UG	● Urban Grey
10	EA910/0BL	● Black
10	EA910/1WE	1 gang insert - 1 module ○ White
10	EA910/1UG	● Urban Grey
10	EA910/1BL	● Black
10	EA910/2WE	2 gang insert - 1 module ○ White
10	EA910/2UG	● Urban Grey
10	EA910/2BL	● Black
10	140WE	Mounting blocks Surface mounting block 37mm deep, suits powerpoints, switches and electronic mechanisms ○ White
10	EA140UG	● Urban Grey
10	140BL	● Black
10	ECCWGPLWE	Deep mounting block and coverplate Common Plate Series only ○ White

Installation brackets



EA143/3H EA503/2W

Pack	Cat No.	Mounting brackets 84mm spacing centres
Stud Bracket		
10	143	Horizontal stud bracket
10	143/2	Horizontal stud bracket with nails
10	143/2V	Vertical stud bracket with nails
10	143U	Universal horizontal or vertical stud bracket with nails
10	EA143/2W	2 gang horizontal stud bracket
10	EA143/3W	3 gang horizontal stud bracket
10	EA143/2H	2 gang vertical stud bracket
10	EA143/3H	3 gang vertical stud bracket
10	EA143/4H	4 gang vertical stud bracket
Render Bracket		
20	954	1 gang render bracket
10	EA503/2W	2 gang horizontal render bracket
10	EA503/3W	3 gang horizontal render bracket
10	EA503/2H	2 gang vertical render bracket
10	EA503/3H	3 gang vertical render bracket
10	EA503/4H	4 gang vertical render bracket

Installation brackets and wall boxes



712 429R

Pack	Cat No.	Mounting brackets 84mm spacing centres
50	711	Plaster 6.5mm board bracket
50	712	Plaster 10mm board bracket
Wall Boxes		
Plastic wall box		
10	429R	Recessed wall box with sliding nuts, retention clips and protective cover
Fire and acoustic wall box		
1	435	Cable entry top and rear. Fastening arms allow for 10mm to 32mm thick plaster/cement boards. 2hr and 3hr fire rated. Weighted sound reduction index (Rw) 62

Coverplates



EC770/0GPLWE EC770/2GPLWE ECCWGPLWE

Pack	Cat No.	Dedicated Plate Series module grid and coverplate only
2 module grid and coverplate only Suits 2 module insert 45x45mm		
10	ED920GPLWE	○ White
10	ED920GPLBL	● Black
Common Plate Series grids and coverplates only		
10	EC770/0GPLWE	○ White - Blank
10	EC770/1GPLWE	○ White - 1 gang
10	EC770/2GPLWE	○ White - 2 gang
10	EC770/3GPLWE	○ White - 3 gang
10	EC770/4GPLWE	○ White - 4 gang
10	EC770/5GPLWE	○ White - 5 gang
10	EC770/6GPLWE	○ White - 6 gang
Common Plate Series deep mounting block and coverplate only		
10	ECCWGPLWE	○ White
Common Plate Series module grids and coverplates only		
1 module grid and coverplate only Suits 1 module insert 25x57mm		
10	EC910GPLWE	○ White
2 module grid and coverplate only Suits 2 module insert 45x45mm		
10	EC920GPLWE	○ White - 6 gang

Pack	Cat No.	Common Plate Series – Coverplate Only
10	ECCWPLWE	1 gang coverplate ○ White
10	ECCW2WPLWE	2 gang coverplate- horizontal ○ White
10	ECCW3WPLWE	3 gang coverplate- horizontal ○ White
10	ECCW2HPLWE	2 gang coverplate- vertical ○ White
10	ECCW3HPLWE	3 gang coverplate- vertical ○ White
10	ECCW4HPLWE	4 gang coverplate- vertical ○ White

Secure series



ES777WE



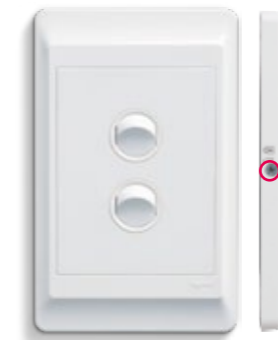
ES770/5GPLWE

Pack	Cat No.	Horizontal powerpoints 230-240V a.c. Internal safety shutters in all powerpoints
10	ES777WE	Double powerpoint 10A ○ White
10	ES787WE	Single powerpoint 10A ○ White
10	ES650TD2WE	Fan controllers with Time-delay Fan speed controller 650VA with auto-switch OFF time delay 2Hr time delay ○ White - Blank
10	ES650TD3WE	3Hr time delay ○ White - 1 gang
10	ES770NWE	No-volt switch ○ White

Pack	Cat No.	Secure series grids and coverplates only
10	ES770/0GPLWE	○ White - blank
10	ES770/1GPLWE	○ White - 1 gang
10	ES770/2GPLWE	○ White - 2 gang
10	ES770/3GPLWE	○ White - 3 gang
10	ES770/4GPLWE	○ White - 4 gang
10	ES770/5GPLWE	○ White - 5 gang
10	ES770/6GPLWE	○ White - 6 gang
10	ESCWPLWE	Coverplate only ○ White - Blank



Fan Controllers with Time Delay
Manage energy consumption with our fan controllers to keep costs under control.



ES770/2GPLWE + 2 x EM770WE

Secure Plate Switches
Our Excel Life Secure Plate Series are ideal when you need a little extra protection from theft and damage. The coverplates can only be removed with a screwdriver so they are perfect in areas prone to vandalism.

Red catalogue number: new product

Mechanical mechanisms



Pack	Cat No.	Rocker switch mechanisms 230-240V a.c., 16A
10	EM770WE	Single pole double throw fluoro rated 16AX M100 motor rating ○ White ● Urban Grey ● Black ○ Matt White ● Matt Black
10	EM770UG	
10	EM770BL	
10	EM770MW	
10	EM770MB	
10	EM770LEDFWE	
10	EM770LEDFUG	
10	EM770LEDFBL	
10	EM770XWE	Single pole double throw spring return ○ White ● Urban Grey ● Black
10	EM770XUG	
10	EM770XBL	
10	EM770DPWE	Double pole single throw fluoro rated 10AX ○ White ● Urban Grey ● Black
10	EM770DPUG	
10	EM770DPBL	
10	EM770PPRDWE	Double pole single throw with Red indicator fluoro rated 10AX ○ White ● Urban Grey
10	EM770PPRDUG	
10	EM770DUOWE	2 x single pole single throw fluoro rated 10AX M50 motor rating ○ White ● Urban Grey
10	EM770DUOUG	
10	EM770IMWE	Intermediate switch 10A fluoro rated 10AX ○ White ● Urban Grey ● Black ○ Matt White ● Matt Black
10	EM770IMUG	
10	EM770IMBL	
10	EM770IMMW	
10	EM770IMMB	
10	EM770IMLEDWE	Intermediate switch with illuminated Blue LED ring ○ White - 1 gang
10	EM770RDWE	Single pole double throw with Red indicator fluoro rated 16AX ○ White ● Urban Grey
10	EM770RDUG	

Red catalogue number: new product

Mechanical mechanisms



Pack	Cat No.	Mechanical push-button switches
10	EM970WE	Single Pole 2 Way switch 10A/10AX ○ White ● Urban Grey ● Black ○ Matt White ● Matt Black
10	EM970UG	
10	EM970BL	
10	EM970MW	
10	EM970MB	
10	EM970LWE	
10	EM970LUGBL	
10	EM970LMW	
10	EM970LMB	Intermediate switch 10A/10AX ○ White ● Urban Grey ● Black ○ Matt White ● Matt Black
10	EM970IMWE	
10	EM970IMUG	
10	EM970IMBL	
10	EM970IMMW	
10	EM970IMMB	Intermediate switch 10A/10AX with LED indicator ○ White ● Black/Urban Grey ○ Matt White ● Matt Black
10	EM970IMWE	
10	EM970IMUGBL	
10	EM970IMMW	
10	EM970IMMB	Momentary switch 10A ○ White ● Urban Grey ● Black ○ Matt White ● Matt Black
10	EM970BPWE	
10	EM970BPUG	
10	EM970BPBL	
10	EM970BPMW	
10	EM970BPMB	Momentary switch 10A with LED indicator ○ White ● Black/Urban Grey ○ Matt White ● Matt Black
10	EM970LBPWE	
10	EM970LBPUGBL	
10	EM970LBPMW	
10	EM970LBPMB	Low voltage 12V d.c. switch 5A with LED indicator White/Black/Urban Grey
10	EM970LELWEUGBL	

Red catalogue number: new product

Mechanical mechanisms engraved



MARKED AS	Amp Rating	Mechanism Type	Pack	Cat No.				
				White	Urban Grey	Black	Matt White	Matt Black
AIR CON	16AX	SPDT	10	EM770AIRCONWE	EM770AIRCONUG	EM770AIRCONBL		
AIR CON	20A	SPDT	10	EM770/20ACWE	EM770/20ACUG			
AUTO/MAN	16AX	SPDT	10	EM770AUTOMANWE	EM770AUTOMANUG	EM770AUTOMANBL		
BED1	16AX	SPDT	10	EM770BED1WE	EM770BED1UG			
BED2	16AX	SPDT	10	EM770BED2WE	EM770BED2UG			
BED3	16AX	SPDT	10	EM770BED3WE	EM770BED3UG			
BED4	16AX	SPDT	10	EM770BED4WE	EM770BED4UG			
BYPASS	16AX	SPDT	10	EM770BYPASSWE	EM770BYPASSUG			
DWASH	16AX	SPDT	10	EM770DWASHWE	EM770DWASHUG	EM770DWASHBL	EM770DWASHMW	EM770DWASHMB
DAY/NIGHT	16AX	SPDT	10	EM770DAYNIGHTWE	EM770DAYNIGHTUG			
DINING	16AX	SPDT	10	EM770DININGWE	EM770DININGUG			
DOOR	16A	SPDT	10	EM770XDOORWE	EM770XDOORUG			
EXHAUST	16AX	SPDT	10	EM770EXHWE	EM770EXHUG			
FAN	16AX	SPDT	10	EM770FANWE	EM770FANUG	EM770FANBL	EM770FANMW	EM770FANMB
FIRE	16AX	SPDT	10	EM770FIREWE	EM770FIREUG	EM770FIREBL		
FRIDGE	16AX	SPDT	10	EM770FRIDGEWE	EM770FRIDGEUG	EM770FRIDGEBL	EM770FRIDGEMW	EM770FRIDGEMB
GAMES	16AX	SPDT	10	EM770GAMESWE	EM770GAMESUG			
GARDEN	16AX	SPDT	10	EM770GARDENWE	EM770GARDENUG	EM770GARDENBL		
HEAT	16A	2XSPST	10	EM770DUOHTWE	EM770DUOHTUG			
HEAT	16AX	SPDT	10	EM770HEATWE	EM770HEATUG	EM770HEATBL	EM770HEATMW	EM770HEATMB
HOB	16AX	SPDT	10	EM770HOBWE	EM770HOBUG			
HOB	32A	SPST	10	EM770/32HOBWE	EM770/32HOBUG	EM770/32HOBBL	EM770/32HOBMW	EM770/32HOBMB
HOOD	16AX	SPDT	10	EM770HOODWE	EM770HOODUG	EM770HOODBL	EM770HOODMW	EM770HOODMB
HOT PLATE	32A	SPST	10	EM770/32HOTPWE	EM770/32HOTPUG			
HWS	20A	SPDT	10	EM770/20HWSWE	EM770/20HWSUG			
KITCHEN	16AX	SPDT	10	EM770KITCHENWE	EM770KITCHENUG	EM770KITCHENBL		
LIGHT	16AX	SPDT	10	EM770LIGHTWE	EM770LIGHTUG	EM770LIGHTBL	EM770LIGHTMW	EM770LIGHTMB
LIVING	16AX	SPDT	10	EM770LIVINGWE	EM770LIVINGUG	EM770LIVINGBL		
LOUNGE	16AX	SPDT	10	EM770LOUNGEWE	EM770LOUNGEUG	EM770LOUNGEBL		
MICRO	16AX	SPDT	10	EM770MICROWAVEWE	EM770MICROWAVEUG	EM770MICROWAVEBL	EM770MICROWAVMW	EM770MICROWAVMB
MIRROR	16AX	SPDT	10	EM770MIRRORWE	EM770MIRRORUG	EM770MIRRORBL		
OFFICE	16AX	SPDT	10	EM770OFFICEWE	EM770OFFICEUG	EM770OFFICEBL		
OUTSIDE	16AX	SPDT	10	EM770OUTSIDEWE	EM770OUTSIDEUG	EM770OUTSIDEBL		
OVEN	32A	SPST	10	EM770/32OVENWE	EM770/32OVENUG	EM770/32OVENBL	EM770/32OVENMW	EM770/32OVENMB
PRESS	16A	SPDT	10	EM770XPRESSWE	EM770XPRESSUG			
RANGE	32A	SPST	10	EM770/32RANGEWE	EM770/32RANGEUG	EM770/32RANGEBL	EM770/32RANGEMW	EM770/32RANGEMB
RESET	16A	SPDT	10	EM770XRESETWE	EM770XRESETUG			
RUMPUS	16AX	SPDT	10	EM770RUMPUSWE	EM770RUMPUSUG			
SENSOR	16AX	SPDT	10	EM770SENSORWE	EM770SENSORUG	EM770SENSORBL	EM770SENSORMW	EM770SENSORMB
TV	16AX	SPDT	10	EM770TVWE	EM770TVUG	EM770TVBL		
WASTE	16AX	SPDT	10	EM770WASTEWE	EM770WASTEUG	EM770WASTEBL	EM770WASTEMW	EM770WASTEMB
ZONE 1	16AX	SPDT	10	EM770ZONE1WE	EM770ZONE1UG			
ZONE 2	16AX	SPDT	10	EM770ZONE2WE	EM770ZONE2UG			
ZONE 3	16AX	SPDT	10	EM770ZONE3WE	EM770ZONE3UG			
ZONE 4	16AX	SPDT	10	EM770ZONE4WE	EM770ZONE4UG			

Legend

SPDT = single pole, double throw
 DPXT = double pole cross-over
 AX = fluorescent rated switch

DPST = double pole, single throw
 NC = normally closed

For custom engraving please contact customer service using EM770PRINTWE, EM770PRINTUG or EM770PRINTBL

Red catalogue number: new product

Electronic mechanisms



Pack	Cat No.	Electronic push-button switch mechanisms 230-240V a.c.
10	EM883WE	Pilot LED can be programmed to be Blue or Red See p46 for wiring diagrams Electronic push-button 5A fluoro rated 500VA ○ White ● Urban Grey ● Black ○ Matt White ● Matt Black Secondary control push-button ○ White ● Urban Grey ● Black ○ Matt White ● Matt Black
10	EM883UG	
10	EM883BL	
10	EM883MW	
10	EM883MB	
10	EM800SLAVEWE	Push-button dimmer mechanisms 230-240V a.c. Pilot LED can be programmed to be Blue or Red. See p47 for wiring diagrams Electronic push-button 350VA all-load ○ White ● Urban Grey ● Black ○ Matt White ● Matt Black Electronic push-button 350VA all-load (neutral required) ○ White ● Urban Grey ● Black ○ Matt White ● Matt Black
10	EM800SLAVEUG	
10	EM800SLAVEBL	
10	EM800SLAVEMW	
10	EM800SLAVEMB	
10	EM400A2PWE	○ White ● Urban Grey ● Black ○ Matt White ● Matt Black
10	EM400A2PUG	
10	EM400A2PBL	
10	EM400A2PMW	
10	EM400A2PMB	

Pack	Cat No.	Fan controller mechanisms 230-240V a.c.
10	EM3FCWE	3 speed, 100VA mechanism ○ White ● Urban Grey ● Black Spare fan controller knobs (pkt of 5) ○ White ● Urban Grey ● Black
10	EM3FCUG	
10	EM3FCBL	
5	EAFANKNOBWE	Rotary dimmer mechanisms 230-240V a.c. New easy grip lower profile knob. Automatically dims if dimmer is overloaded or insufficiently derated 250VA Trailing edge ○ White ● Urban Grey 400VA Trailing edge ○ White ● Urban Grey ● Black 700VA Trailing edge ○ White ● Urban Grey 2000VA leading-edge remote dimmer ○ White ● Urban Grey Spare dimmer knobs (pkt of 5) ○ White ● Urban Grey ● Black
5	EAFANKNOBUG	
5	EAFANKNOBBL	
10	EM250TRWE	○ White ● Urban Grey
10	EM250TRUG	
10	EM250TRBL	
10	EM400TRWE	○ White ● Urban Grey ● Black
10	EM400TRUG	
10	EM400TRBL	
10	EM700TRWE	○ White ● Urban Grey
10	EM700TRUG	
10	EM2000ERC	○ White ● Urban Grey ● Black
5	EADIMKNOBWE	
5	EADIMKNOBUG	
5	EADIMKNOBBL	

Red catalogue number: new product

Electronic mechanisms



Pack	Cat No.	PIR movement sensor mechanisms 230-240V a.c.
10	EM803PIRWE	Can be programmed from 5 sec to 30min and 1 to 2,000 lux Automatic 3 wire 5A ○ White ● Urban Grey ● Black
10	EM803PIRUG	
10	EM803PIRBL	
10	EM803PIRSWE	Manual Override 3 wire 5A ○ White ● Urban Grey ● Black
10	EM803PIRSUG	
10	EM803PIRSBL	
10	EM802TDWE	Programmable time delay switch mechanisms 230-240V a.c. 2 wire all load 400VA Can be programmed from 1-10 minutes in steps of 1 minute ○ White ● Urban Grey
10	EM802TDUG	
10	EM803TDWE	Can be programmed from 1-60 minutes in steps of 5 minutes ○ White ● Urban Grey
10	EM803TDWE	
10	EM803SURGEWE	Surge protection switch mechanism 230-240V a.c., 500J ○ White ● Urban Grey
10	EM803SURGEUG	
10	EMELVNWE	Extra low-voltage 12V d.c. push-button mechanisms With LED indicator ○ White ● Urban Grey
10	EMELVNUG	
10	EMELVWE	Without LED indicator ○ White ● Urban Grey
10	EMELVUG	

Pack	Cat No.	Illumination switch mechanisms 230-240V a.c.
10	EM770LEDWE	See p50 for wiring diagram EM770 illumination blue LED kit ○ White ● Urban Grey ● Black
10	EM770LEDUG	
10	EM770LEDBL	
10	EM803LEDWE	White LED and coloured lenses kit ○ White ● Urban Grey
10	EM803LEDUG	
10	EMPAPS1WE	Power available and 1 gang power supplied indicator kit ○ White ● Urban Grey
10	EMPAPS1UG	
10	EMPAPS2WE	Power available and 2 gang power supplied indicator kit ○ White ● Urban Grey
10	EMPAPS2UG	
10	EMPAWE	Power available indicator kit (Amber) ○ White ● Urban Grey
10	EMPAUG	
10	EMPS1WE	Power supplied to 1 outlet indicator kit (Red) ○ White ● Urban Grey
10	EMPS1UG	
10	EMPS2WE	Power supplied to 2 outlets indicator kit ○ White ● Urban Grey
10	EMPS2UG	

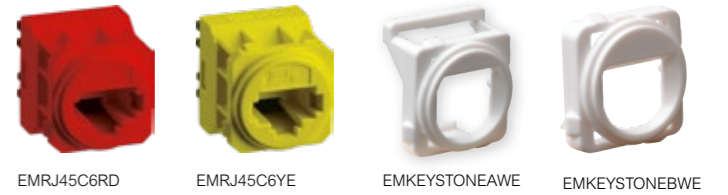
Red catalogue number: new product

RJ11 CAT 3 voice sockets and RJ45 CAT 5E sockets



Pack	Cat No.	RJ11 voice sockets
10	EMRJ11C3WE	Additional slot available for looping. Compatible with both Krone and IDC termination tools ○ White
10	EMRJ11C3BL	
10	EMRJ11C3BU	● Black
10	EMRJ11C3BU	● Blue
10	EMRJ11C3GR	● Green
10	EMRJ11C3RD	● Red
10	EMRJ11C3YE	● Yellow
10	EMRJ45C5WE	RJ45 data sockets Compatible with both Krone and IDC termination tools ○ White
10	EMRJ45C5EUG	
10	EMRJ45C5EUG	● Black
10	EMRJ45C5EUG	● Blue
10	EMRJ45C5EUG	● Green
10	EMRJ45C5ERD	● Red
10	EMRJ45C5EYE	● Yellow

RJ45 CAT 6 data sockets and Keystone adapters



Pack	Cat No.	RJ45 data sockets
10	EMRJ45C6WE	Compatible with both Krone and IDC termination tools ○ White
10	EMRJ45C6BL	
10	EMRJ45C6BL	● Black
10	EMRJ45C6BU	● Blue
10	EMRJ45C6GR	● Green
10	EMRJ45C6RD	● Red
10	EMRJ45C6YE	● Yellow
10	EMRJ45C6AWE	RJ45 data sockets Cat. 6A Compatible with both Krone and IDC termination tools ○ White
10	EMRJ45C6ABL	
10	EMRJ45C6ABL	● Black
10	EMKEYSTONEAWE	Keystone adapters Suits Clipsal, Leviton, Hubbell, Siemon and Krone keystone jacks ○ White ● Urban Grey ● Black
10	EMKEYSTONEAUG	
10	EMKEYSTONEABL	
10	EMKEYSTONEBWE	Suits Panduit keystone jacks ○ White ● Urban Grey
10	EMKEYSTONEBUG	
10	EMKEYSTONECWE	Suits Systemax keystone jacks ○ White ● Urban Grey
10	EMKEYSTONECUG	
10	EMKEYSTONEDWE	Suits Tyco/AMP keystone jacks ○ White ● Urban Grey
10	EMKEYSTONEDUG	
10	EMKEYSTONEEWE	Suits Molex keystone jacks ○ White ● Urban Grey
10	EMKEYSTONEEUG	
10	EMKEYSTONELWE	Suits Legrand LCS² tooless jacks ○ White ● Urban Grey ● Black
10	EMKEYSTONELUG	
10	EMKEYSTONELBL	

Red catalogue number: new product

Audio and video sockets and devices

USB and wireless chargers



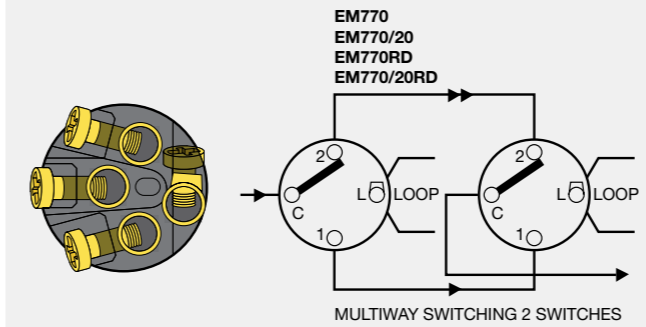
Pack	Cat No.	Audio and video mechanisms
10	EMHDMIWE	HDMI 2.0 outlet Female-to-female straight connector ○ White
10	EMFFFOXWE	Video sockets F to F TV outlet 75 ohm 3.0GHz (Foxtel approved) F30583 ○ White
10	EMFFFOXUG	● Urban Grey
10	EMFFFOXBL	● Black
10	EMPFWE	Video sockets PAL to F TV outlet – White ○ White
10	EMPFUG	● Urban Grey
10	EMPFBL	● Black
10	EMSPWE	PAL to saddle TV outlet – White ○ White
10	EMSPUG	● Urban Grey
10	EMSPBL	● Black
10	EMRCARDWE	RCA sockets RCA to RCA outlet – Red ○ White
10	EMRCARDUG	● Urban Grey
10	EMRCAWEWE	RCA sockets RCA to RCA outlet – White ○ White
10	EMRCAWEUG	● Urban Grey
10	EMRCAYELWE	RCA sockets RCA to RCA outlet – Yellow ○ White
10	EMRCAYELUG	● Urban Grey
10	EM800BPBLWE	Audio ‘Banana’ outlet Ø 4mm – Black Marking ○ White
10	EM800BPBLUG	● Urban Grey
10	EM800BPRDWE	Audio ‘Banana’ outlet Ø 4mm – Red Marking ○ White
10	EM800BPRDUG	● Urban Grey
12	EM910USBWE	HDMI and USB extensions Used with ECFRAME or EC910GPLWE, or Panel Mount Adaptors. Insert dimension 25 x 57mm
12	EM910USBBL	USB insert with extension lead 150mm ○ White
12	EM910HDMIWE	● Black
12	EM910HDMIBL	HDMI insert with extension lead 150mm ○ White
12		● Black

Pack	Cat No.	USB charger mechanisms 230-240V a.c.
12	EMUSB2PSAWE	Dual USB Charger Mechanism 2x2.4A Type A ○ White
12	EMUSB2PSAUG	● Urban Grey
12	EMUSB2PSABL	● Black
12	EMUSB2ACWE	Dual USB Charger Mechanism 4.8A Type A and C ○ White
12	EMUSB2ACUG	● Urban Grey
12	EMUSB2ACBL	● Black
1	EMUSB1CWE	USB charger mechanism, Type C, 60W (single port) ○ White
1	EMUSB1CUG	● Urban Grey
1	EMUSB1CBL	● Black
1	EDWCWEMS	Wireless Chargers Wall-mount 1A Supplied complete with grid & plate ○ White
1	EDWCUGMS	● Urban Grey
1	EDWCBLMS	● Black
1	ECWCWEMS	○ White
1	077599	Weatherproof 1A IP66-IPK10 ● Silver/Black
1	077580	Table top/ Desk mount 1A ● Silver

Mechanical switch mechanism wiring diagrams

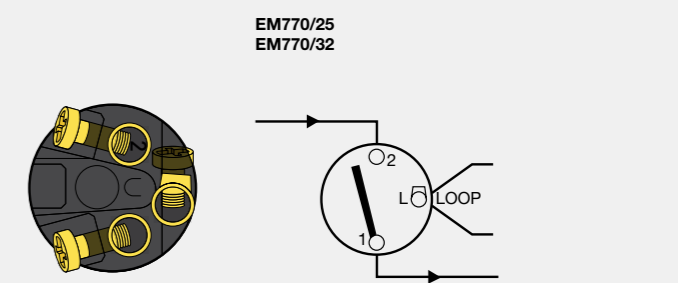
1 & 2 Way (SPDT) EM770 Series 240V a.c.

Cat. No.	Legend	Loop	Amp Rating	Body Colour
EM770 / EM770RD	SPDT	1L	16A/16AX	Black
EM770/20 / EM770/20RD	SPDT	1L	20A/20AX	Black



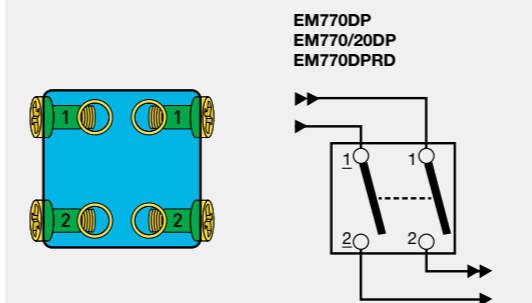
1 Way (SPST) EM770 Series 240V a.c.

Cat. No.	Legend	Loop	Amp Rating	Body Colour
EM770/25	SPST	1L	25A/20AX	Grey
EM770/32	SPST	1L	32A/20AX	Grey



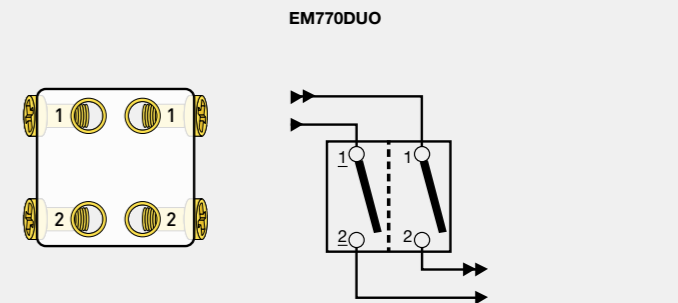
Double Pole (DPST) EM770DP Series 240V a.c.

Cat. No.	Legend	Loop	Amp Rating	Body Colour
EM770DP / EM770DPRD	DPST	0L	16A/10AX	Blue
EM770/20DP	DPST	0L	20A/10AX	Blue



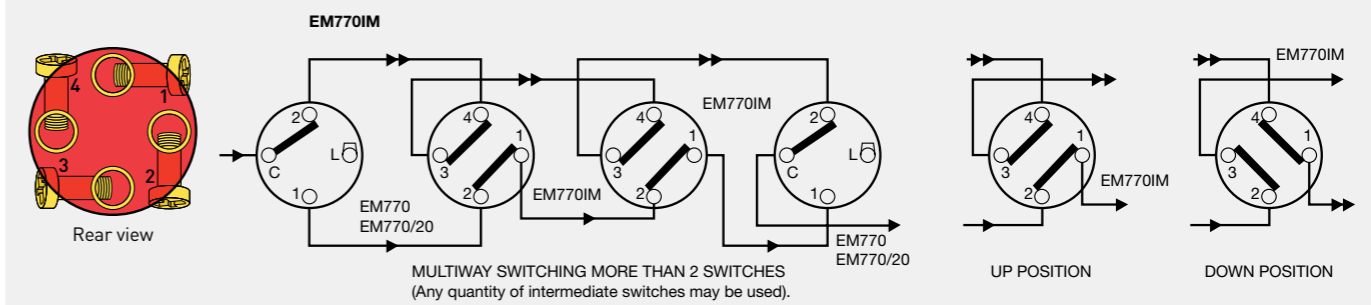
Duo Series 2 x 1 Way (2 x SPST) 240V a.c.

Cat. No.	Legend	Loop	Amp Rating	Body Colour
EM770DUO	2xSPST	0L	16A/10AX	White



Intermediate (DPXT - Crossover) EM770I Series 240V a.c.

Cat. No.	Legend	Loop	Amp Rating	Body Colour
EM770IM	DPXT	0L	16A	Red

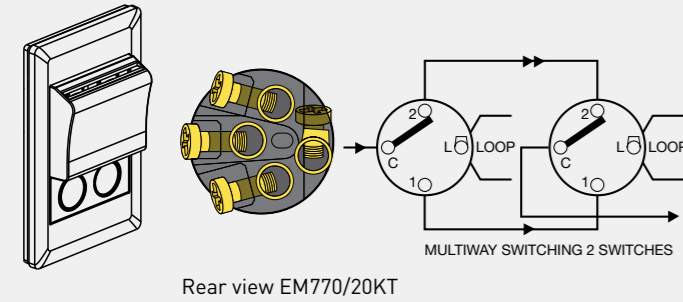


Red catalogue number: new product

Mechanical switch mechanism wiring diagrams

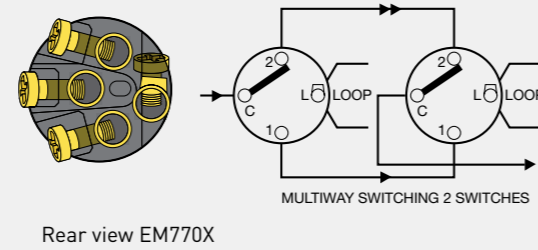
KeyTag - 1 Way (SPST) EM770/20KT

Cat. No.	Legend	Loop	Amp Rating	Motor Rating	Body Colour
EM770/20KT	SPDT	1L	20A	M80	Black



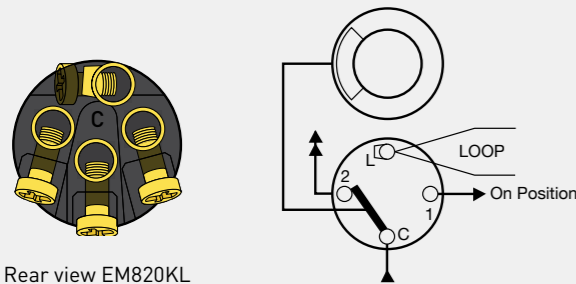
Push-Buttons 1 & 2 Way (SPDT) - Non latching EM770X Series 240V a.c.

Cat. No.	Legend	Loop	Amp Rating	Body Colour
EM770X	SPDT	1L	16A	Black



Keylock Switch Assembly - 1 & 2 Way (SPDT) 770 Series 240V a.c.

Cat. No.	Legend	Loop	Amp Rating	Motor Rating	Body Colour
EM820KLO	SPDT	1L	20A	M80	Black
EM820KLI	SPDT	1L	20A	M80	Black
EM820KLIO	SPDT	1L	20A	M80	Black



Colour code (Position in which key can be removed).

- WHITE - OFF [0]
- GREY - ON [I]
- BEIGE - ON [I] and OFF [0]

Legend

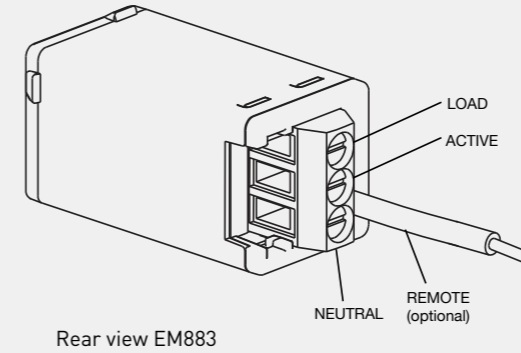
- SPST = single pole, single throw
- SPDT = single pole, double throw
- DPDT = double pole, double throw
- DPST = double pole, single throw
- DPXT = double pole cross-over
- NC = normally closed
- NO = normally opened
- L = Loop

Using X Rating

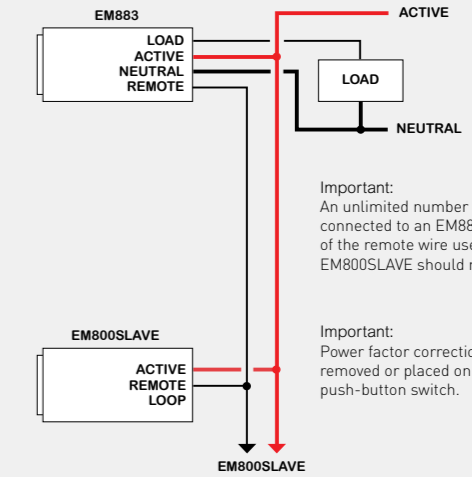
Excel Life series switches marked with an 'X' are suitable for fluorescent installations up to the switch rating.

Electronic push-button switch mechanism wiring diagrams

Electronic push-button switch wiring diagram EM883WE



■ Connect optional Secondary Control Buttons (EM800SLAVE) to enable switching from multiple locations.



Technical characteristics

	Incandescent	Halogen	Fluorescent tube	Wirewound transformer	Electronic transformer	Compact fluorescent	LED	Fan motor
 + 50°C + 0°C 230-240V a.c. 50Hz	 1 x 2.5mm ² 2 x 1.5mm ²							
Max load	1200W	1200W	500VA	500VA	500VA	500VA	500VA	500VA

Minimum load = 0W for all load types

LED Indicator

- The colour of the LED indicator can be either red or blue. In addition, when the switch is off the LED indicator can either glow faintly or be off completely. The four possible modes are as follows:
- To change between modes, press and hold the push-button for at least 10 seconds. This will select the next mode in the sequence above.

MODE	STATUS OF LED INDICATOR	
	SWITCH ON	SWITCH OFF
1	Bright Red	Faint Red
2	Bright Blue	Faint Blue
3	Bright Red	Off
4	Bright Blue	Off



Electronic push-button dimmers and time-delay switches

Electronic push-button dimmer EM400A2P Technical characteristics

Temperature +50°C +0°C 230-240V a.c. 50Hz	Terminal block 1 x 2.5mm ² 2 x 1.5mm ²	<ul style="list-style-type: none"> Incandescent Halogen 	<ul style="list-style-type: none"> Halogen or dimmable LED with electronic transformer Dimmable compact fluorescent Dimmable LED without transformer 	<ul style="list-style-type: none"> Halogen with wirewound transformer 	Fluorescent tube	Fan motor	Max Power	Max number of transformers ¹
							Max load	1 dimmer per plate
	2 dimmers per plate	300W	300VA	8	X	X	X	X
	3 or more dimmers per plate	250W	250VA	8	X	X	X	X

Minimum load = 5W for all load types. Not compatible with all dimmable LEDs. Should be bench tested prior to installation

Note:

- In the case of dimmable compact fluorescent or dimmable LED without transformer, this is the maximum number of lamps.
- Where both max power and max number of transformers/lamps are specified, both conditions must be satisfied.
- When used in ambient temperatures greater than 25°C, the dimmer must be de-rated by 10% for every increase of 5°C.

Electronic push-button dimmer EM400A3P Technical characteristics

Temperature +50°C +0°C 230-240V a.c. 50Hz	Terminal block 1 x 2.5mm ² 2 x 1.5mm ²	<ul style="list-style-type: none"> Incandescent Halogen 	<ul style="list-style-type: none"> Halogen or dimmable LED with electronic transformer Dimmable compact fluorescent Dimmable LED without transformer 	<ul style="list-style-type: none"> Halogen or dimmable LED with wirewound transformer² 	Fluorescent tube	Fan motor	Max Power	Max number of transformers ¹	Max Power	Max number of transformers
							Max load	1 dimmer per plate	350W	350VA
	2 dimmers per plate	300W	300VA	8	250VA	6	X	X		
	3 or more dimmers per plate	250W	250VA	8	200VA	6	X	X		

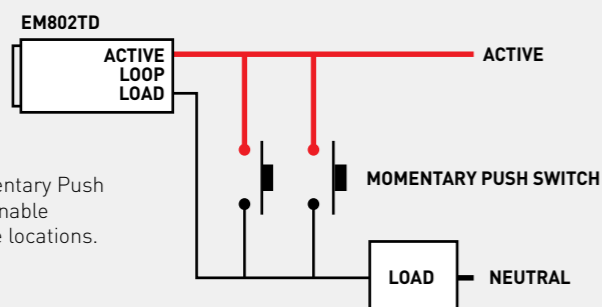
Minimum load = 5W for all load types. Not compatible with all dimmable LEDs. Should be bench tested prior to installation

Electronic push-button time delay EM802TD/EM803TD Technical characteristics

Temperature +50°C +0°C 230-240V a.c. 50Hz	Terminal block 1 x 2.5mm ² 2 x 1.5mm ²	Incandescent	Halogen	Fluorescent tube	Wirewound transformer	Electronic transformer	Compact fluorescent	LED	Fan motor
		Max load [802TD]	400W	400W	400VA*	X	400VA	400VA	400VA
Max load [803TD]	1200W	1200W	500VA	500VA	500VA	500VA	500VA	500VA	

Minimum load = 10VA for all load types. * Electronic ballast only

Wiring EM802TD



- Connect optional Momentary Push Switches (EM770X) to enable switching from multiple locations.

Important:
An unlimited number of EM770XWE can be connected to an EM802TD. However, the total length of the load wire used to interconnect all of the EM770XWE should not exceed 50 metres.

Note:
For other technical details please refer to the installation instructions of each device.

Load compatibility disclaimer:
Although significant efforts have been made to ensure Dimmers are compatible with a large variety of drivers (CFL, LEDs), it is not possible to guarantee 100% compatibility with all devices.

Rotary dimmers

Rotary dimmers - EM250TR/EM400TR/EM700TR Technical characteristics

Temperature +50°C +0°C 230-240V a.c. 50Hz	Terminal block 1 x 2.5mm ² 2 x 1.5mm ²	Incandescent	Halogen	Fluorescent tube	Wirewound transformer	Electronic transformer	Compact fluorescent	LED	Fan motor
		Max load EM250TR	1 dimmer per plate	250W	250W	X	X	250VA	250VA see note 2
	2 dimmers per plate	225W	225W	X	X	225VA	225VA see note 2	see note 1	X
	3 or more dimmers per plate	200W	200W	X	X	200VA	200VA see note 2	see note 1	X
Max load EM400TR	1 dimmer per plate	400W	400W	X	X	400VA	400VA see note 2	see note 1	X
	2 dimmers per plate	350W	350W	X	X	350VA	350VA see note 2	see note 1	X
	3 dimmers per plate	300W	300W	X	X	300VA	300VA see note 2	see note 1	X
Max load EM700TR	1 dimmer per plate	700W	700W	X	X	700VA	700VA see note 2	see note 1	X

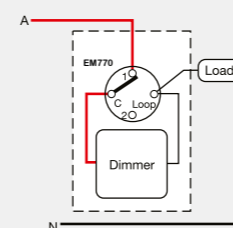
Minimum load = 10VA for all load types

NOTE 1: Not compatible with all dimmable LEDs. Should be bench tested prior to installation.

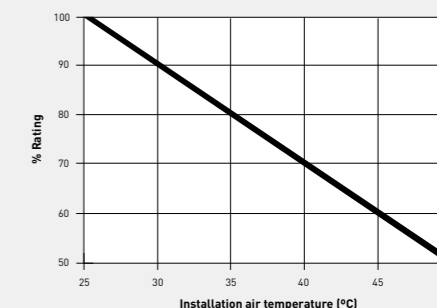
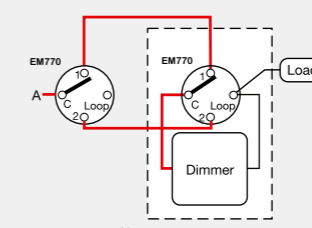
NOTE 2: Compact Fluorescent Lamps (CFLs) and LEDs, also known as Energy Saving Lamps, can only be dimmed if they are specifically marked as "dimmable". Dimmable CFLs may have different characteristics from brand to brand, and so each brand may require a specific type of dimmer to operate correctly. Using the incorrect dimmer may cause the CFL to flicker. Please read the documentation that comes with each CFL carefully to ensure that the CFL and dimmer are compatible. For more information, please contact HPM Legrand. In some cases, the dimmable CFL may turn off or flicker when dimmed to a very low brightness. This can be overcome by ensuring that the dimmer brightness is not set too low. See "Setting minimum brightness" for instructions on how to achieve this.

Wiring for rotary dimmers

One-way wiring diagram



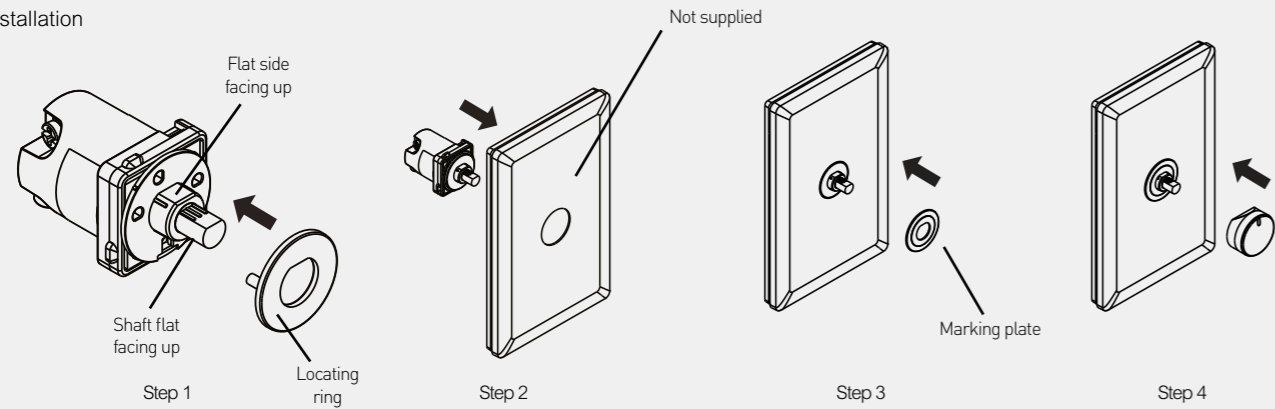
Two-way wiring diagram



Important:
When used in ambient temperatures greater than 25°C, the dimmer must be de-rated according to the following chart.

Rotary switch - EMRSWE/UG/BL

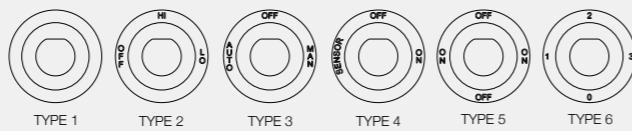
Installation



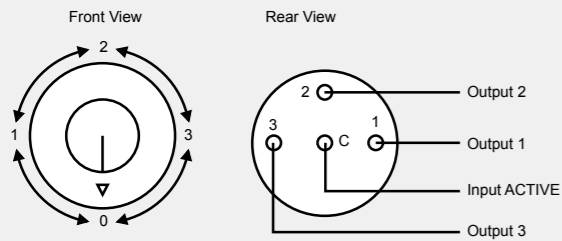
Rotation ring options



Marking plate options

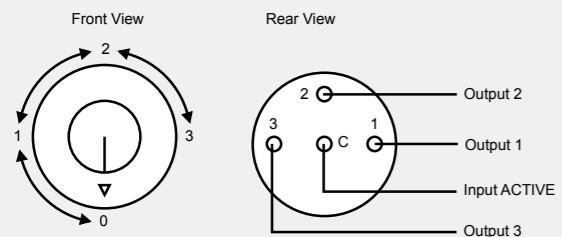


Wiring for 360° rotation



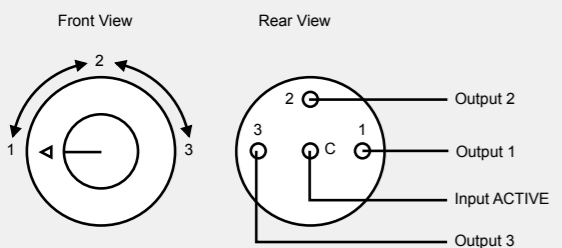
SELECT ONE OF THE FOLLOWING WIRING OPTIONS:				
POSITION				WIRING
0	1	2	3	
OFF	ON	ON	ON	Connect All Terminals
OFF	ON	OFF	ON	Do Not Connect Terminal 2

Wiring for 270° rotation



SELECT ONE OF THE FOLLOWING WIRING OPTIONS:				
POSITION				WIRING
0	1	2	3	
OFF	ON	ON	ON	Connect All Terminals

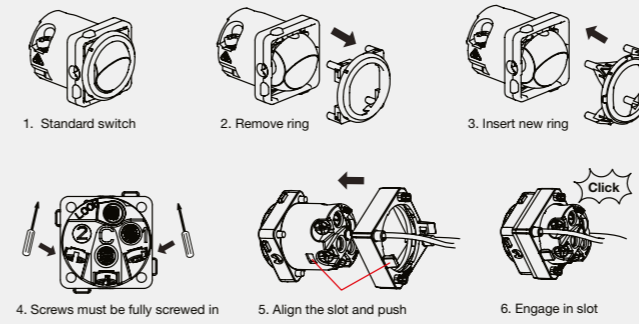
Wiring for 180° rotation



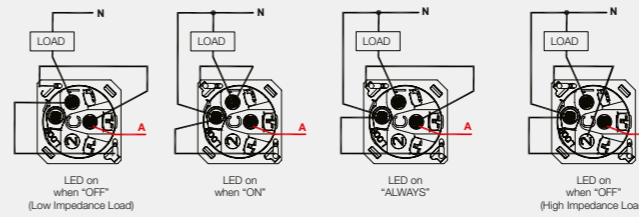
SELECT ONE OF THE FOLLOWING WIRING OPTIONS:				
POSITION				WIRING
1	2	3		
ON	ON	ON		Connect All Terminals
ON	OFF	ON		Do Not Connect Terminal 2
OFF	ON	ON		Do Not Connect Terminal 1
ON	ON	OFF		Do Not Connect Terminal 3

Illuminated LED ring kits

Installation EM770LED - LED 770 illumination kit



Wiring

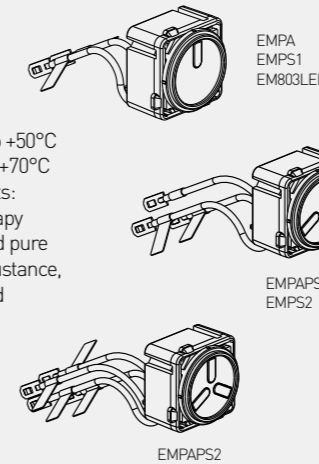


Note: Low Impedance Load examples include incandescent, halogen, resistive loads High Impedance Load examples include CFLs, LED globes

LED Power Available/Power Supplied Indicator Kits EMPAPS2, EMPAPS1, EMPA, EMPS1, EMPS2, EM803LED

Features

- Voltage: 230-240V a.c.
- Frequency: 50Hz
- Current: 1.2mA per indicator
- Operating temperature: -5°C to +50°C
- Storage temperature: -10°C to +70°C
- Resistant to the following agents: Hexane, methylated spirits, soapy water, diluted ammonia, diluted pure bleach (10%), glass cleaning substance, pre-impregnated wipes, diluted hydrogen peroxide
- Not resistant to the following agents: Acetone, tar remover, trichloroethylene

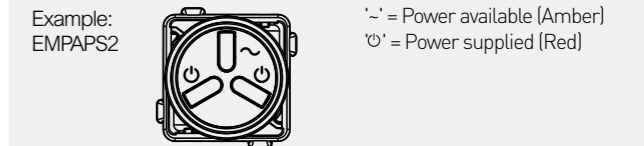
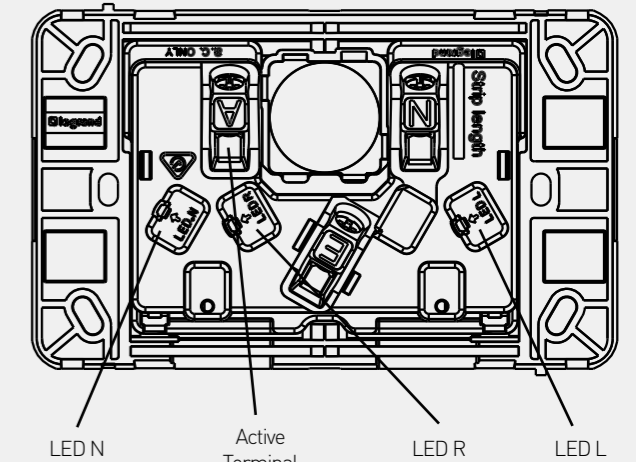


LED power supplied/power available indicator kits

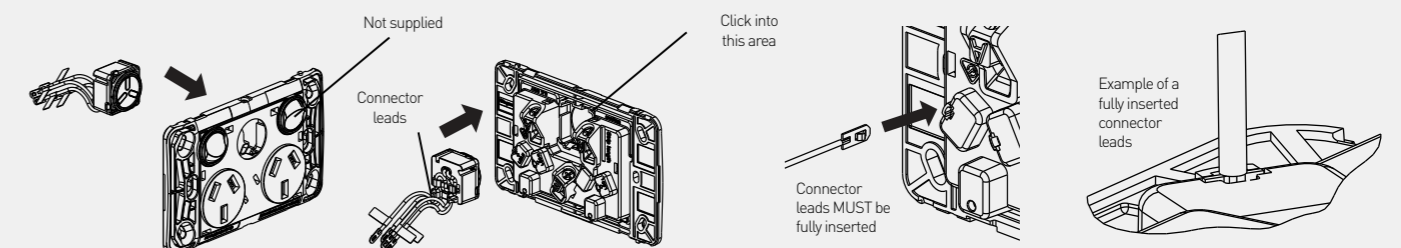
Wiring

Wire/lead marking	LED N	LED L	LED R	LED	A
EMPAPS2	Neutral	Switched Active (LHS)	Switched Active (RHS)		Active
EMPAPS1	Neutral			Switched active	Active
EMPA	Neutral				Active
EMPS2	Neutral	Switched Active (LHS)	Switched Active (RHS)		
EMPS1	Neutral			Switched active	
EM803LED (power available)**	Neutral				Active
EM803LED (power supplied)	Neutral				Switched active
EM803LED (power available without neutral)**	Switched active				Active

++ = In this mode the LED indicator will be ON whenever there is power available to the product.
** = In this mode the LED indicator will only be ON whenever the associated switch/socket is OFF. The current required to light the indicator when the switch is ON will be bled through the load.



Installation EMPAPS2, EMPAPS1, EMPA, EMPS1, EMPS2, EM803LED LED Power Available/Power Supplied Indicator Kits

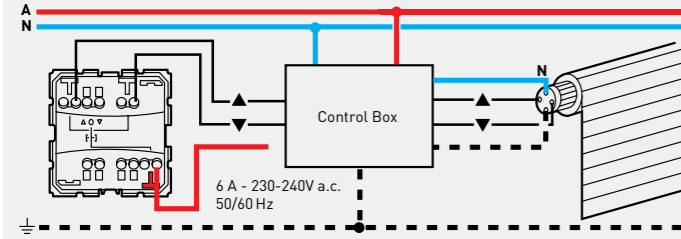


Shutter, blind, curtain control

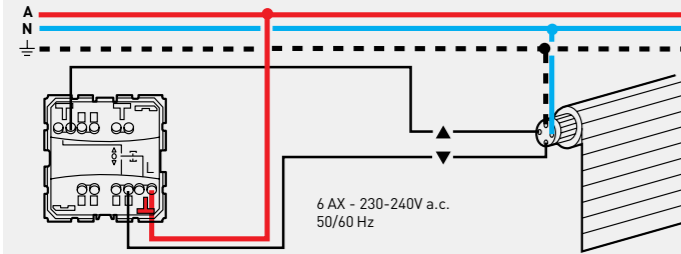
Plates and cut-out dimensions

Wiring

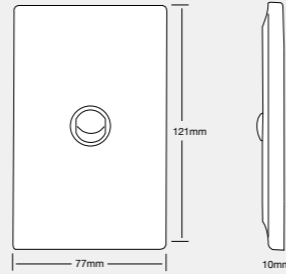
Push-button switch (Cat No EC919WE)



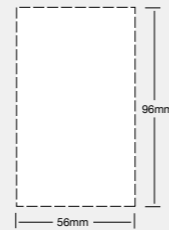
Push-button switch (Cat No EC920WE)



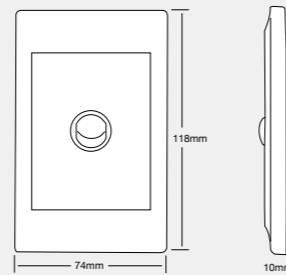
Dedicated plate series dimensions



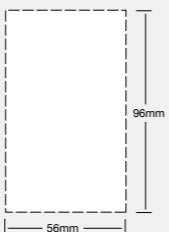
Maximum cut-out dimensions



Common plate series dimensions



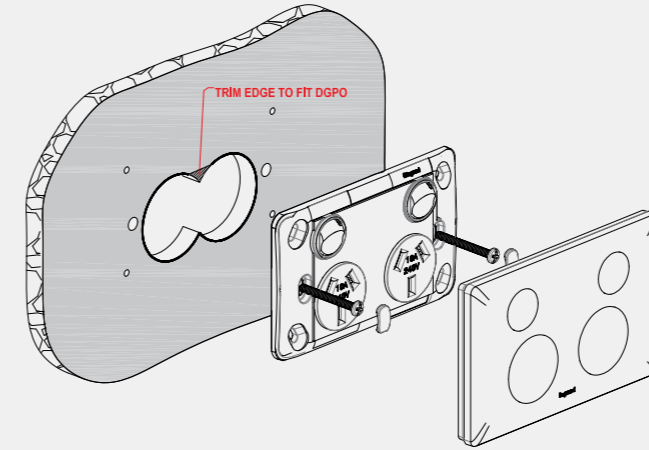
Maximum cut-out dimensions



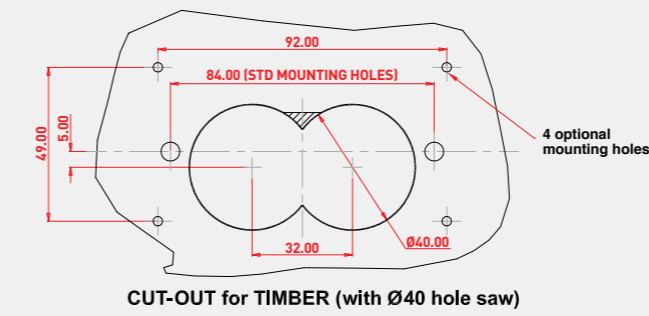
Powerpoint installation details

Hard Surfaces Installations Double powerpoint 10A

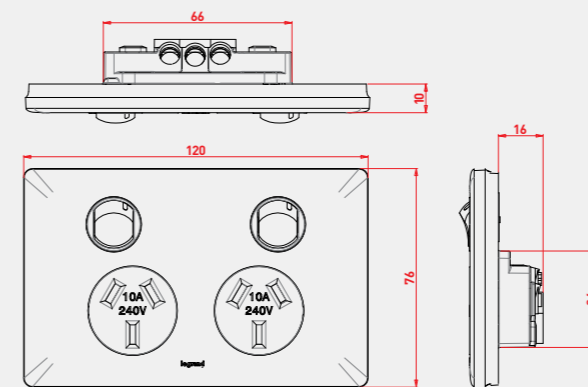
Assembly



Cut-out dimensions

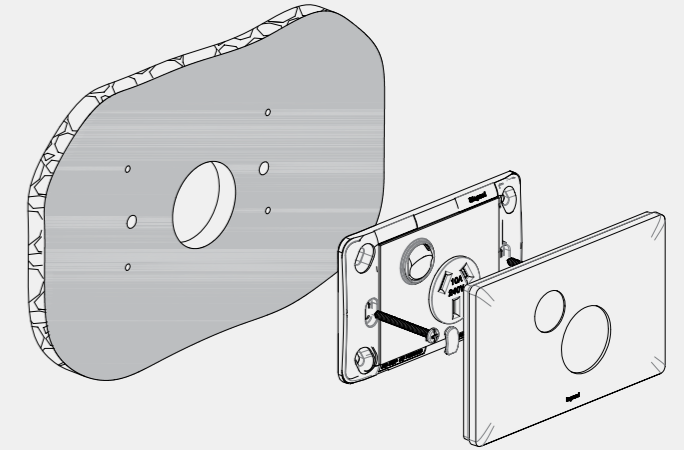


Product dimensions

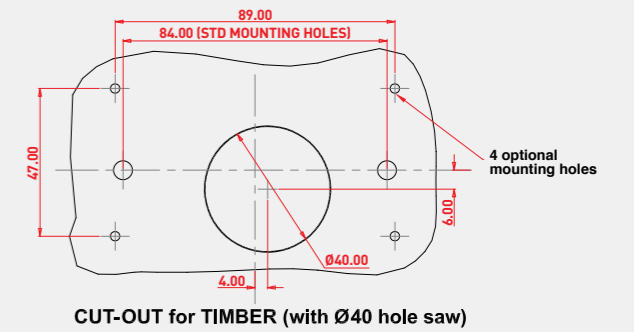


Single powerpoint 10A

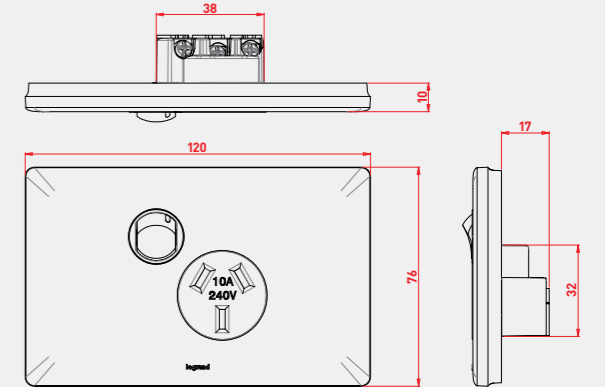
Assembly



Cut-out dimensions



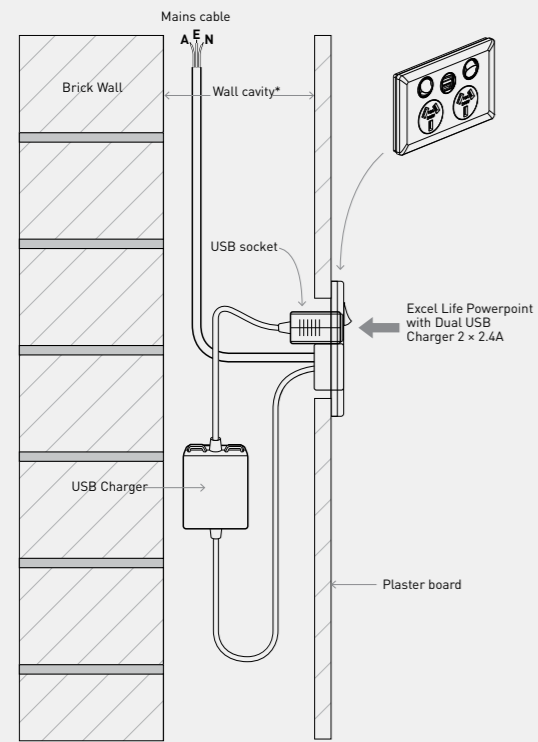
Product dimensions



Note:
Cut-out dimensions for other devices are 96mm x 56mm

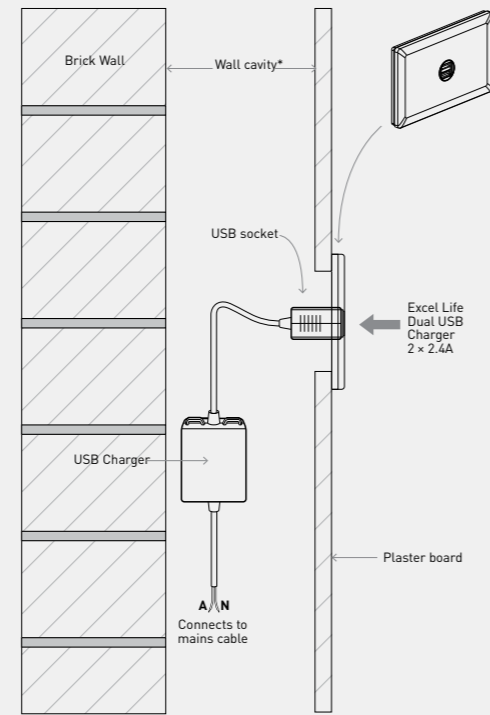
USB Chargers installation details

Installation in plasterboard – USB Powerpoint



e.g. ED777USB2PSAWE

Installation in plasterboard – USB Charger



e.g. EMUSB2PSAWE + ED770/1GPLWE

Disclaimer: The information provided in this document is intended for informational purposes only has been prepared and reviewed with all reasonable care, believed to be correct at the time of printing. Legrand Australia and New Zealand may also make improvements and/or changes in the products, pricing and/or programs described in this information at any time without notice.



Legrand Australia
Building 4, Nexus Industry Park
43-47 Lyn Pde Prestons NSW 2170
1300 369 777
www.legrand.com.au

Legrand New Zealand
106-124 Target Road Glenfield
Auckland 0627 New Zealand
0800 476 009
www.legrand.co.nz