

# SKYPAD120W-10VDIM

## QUICK FACTS

|               |  |
|---------------|--|
| Input power   | <b>120W</b>                            |
| Power Factor  | <b>0.9</b>                             |
| IP Rating     | <b>67</b>                              |
| Dimming       | <b>1-10V</b>                           |
| Lumen output  | <b>17320lm</b>                         |
| CCT           | <b>5000K</b>                           |
| CRI           | <b>&gt;80</b>                          |
| Beam Angle    | <b>110°</b>                            |
| Fascia Colour | <b>Black</b>                           |
| Installation  | <b>Suspended &amp; Surface Mounted</b> |
| Warranty      | <b>5 years</b>                         |

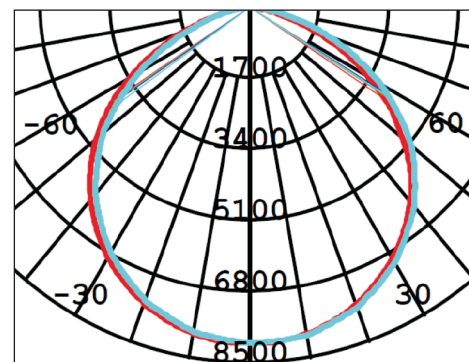
## PRODUCT SPECIFICATIONS

|                  |  |
|------------------|--|
| Supply Voltage   | <b>240-265V</b>                          |
| Supply Frequency | <b>50-60Hz</b>                           |
| Cable            | <b>2.5M Flex&amp;Plug</b>                |
| Body             | <b>Aluminium</b>                         |
| Diffuser         | <b>PC</b>                                |
| Driver           | <b>Fixed</b>                             |
| Weight           | <b>G.W : 6kgs</b><br><b>N.W : 5.5kgs</b> |
| Ambient Temp     | <b>-30°C - 60°C</b>                      |
| Avg. lifetime    | <b>≥60,000 hrs@ ta 55°C</b>              |

PHOTO



PHOTOMETRIC DIAGRAM

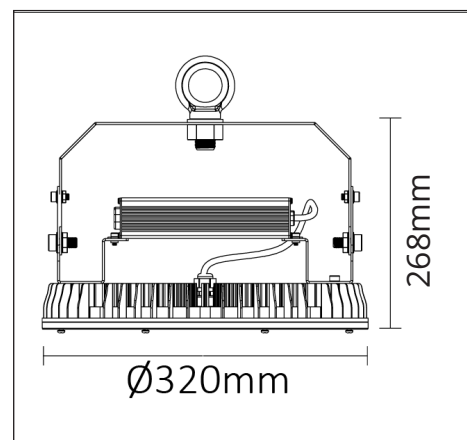


UNIT: cd

**—** C0/180 112.1deg

**—** C90/270 111.8deg

DIMENSIONS



Subject to change without notice, errors and omission excepted. Always make sure to use the most recent release.