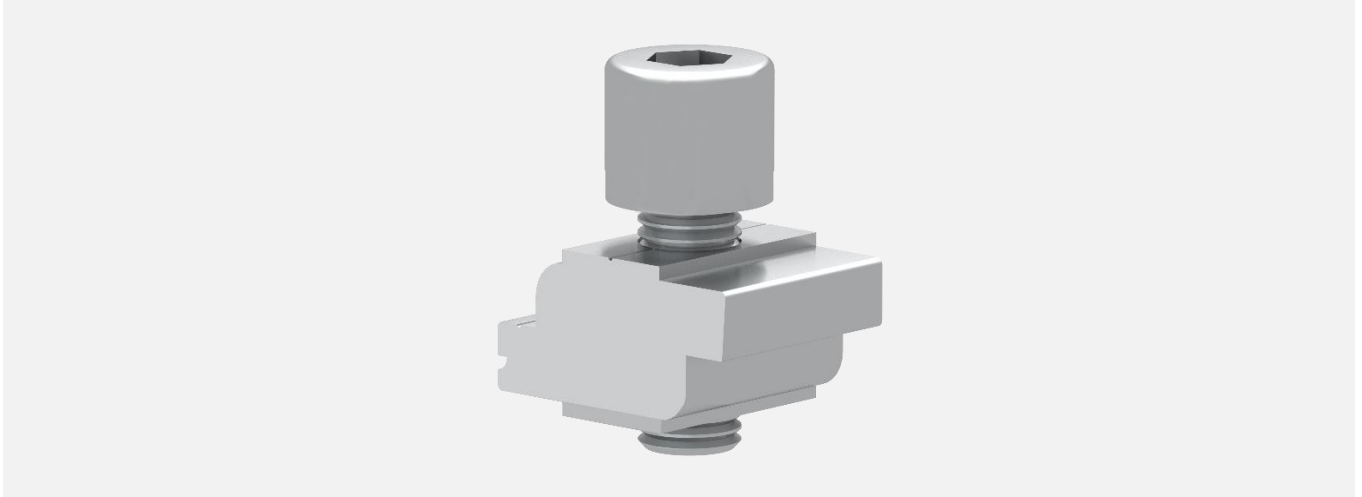


# Z module assembly with bolt and washer for Klip-lok Interface

- Component -



Z module assembly with bolt and washer for Klip-lok Interface

**Part No.: ER-Z-STBW**

- Technical Specification -

<b>Fixing method</b>	Fix on the ECO Rail or T Rail
<b>Dimensions</b>	L20mm
<b>Weight</b>	0.023 kg
<b>Packaging</b>	400 units per pack, 2 packs (800 units) per carton
<b>Material</b>	Z-module: AL6005-T5; Bolts/Washer: SUS304
<b>Color</b>	Silver (half-anodized no less than 10 µm)
<b>Standard</b>	AS NZS1170.2-2011

