

# Residual Current Devices, Combination Residual Current Devices and Miniature Circuit Breakers

**RCD, RCBM, RMX, 4RC,  
and 4RCBM Series**

Installation Instructions

## Warranty

Refer to Clipsal's Trade Product Guide for standard Terms and Conditions.

**Remember to test regularly. RCDs should be tested monthly by operating their in built button.**

**Schneider Electric  
(Australia) Pty Ltd**

Contact us:  
[clipsal.com/feedback](http://clipsal.com/feedback)

**National Customer  
Care Enquiries:  
Tel 1300 2025 25  
Fax 1300 2025 56**

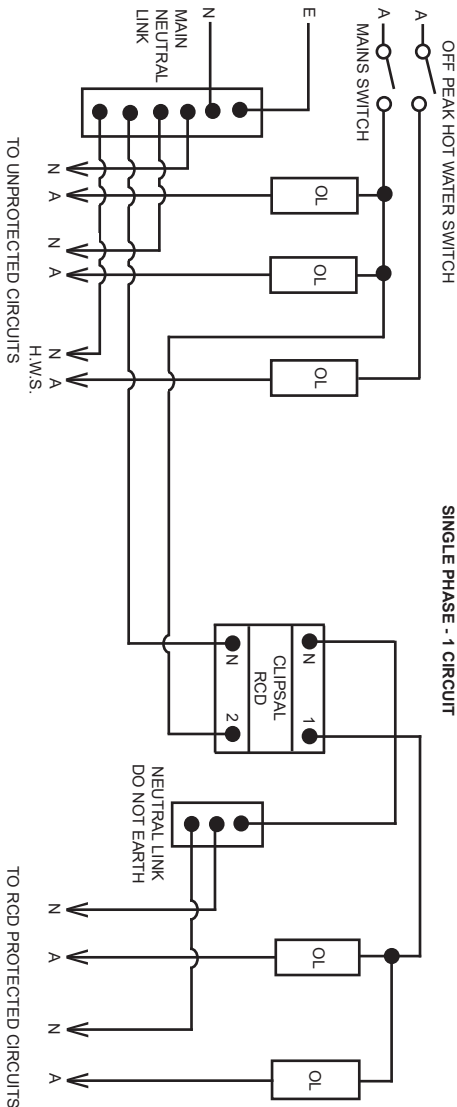
Schneider Electric (Australia) Pty Ltd reserves the right to change specifications, modify designs and

[clipsal.com](http://clipsal.com)

discontinue items without incurring obligation and whilst every effort is made to ensure that descriptions, specifications and other information in this catalogue are correct, no warranty is given in respect thereof and the company shall not be liable for any error therein.

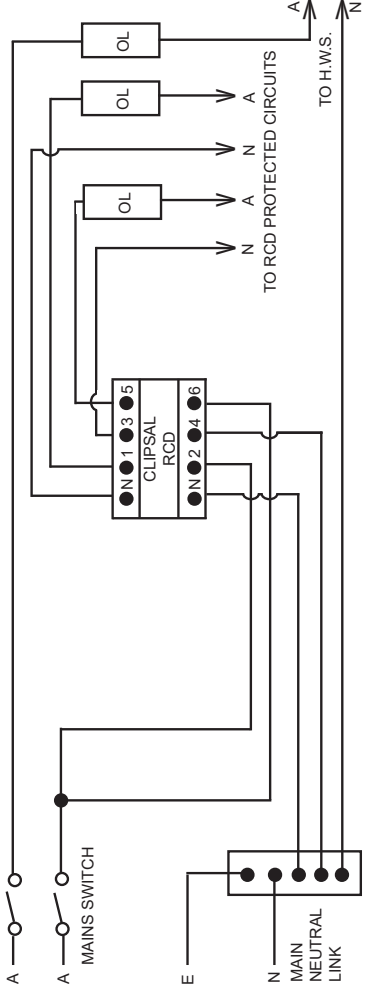
© Schneider Electric (Australia) Pty Ltd. The identified trademarks and copyrights are the property of Schneider Electric (Australia) Pty Ltd unless otherwise noted.

**CLIPSAI RC, RMX and 4RC SERIES RESIDUAL CURRENT DEVICE WIRING DIAGRAMS**

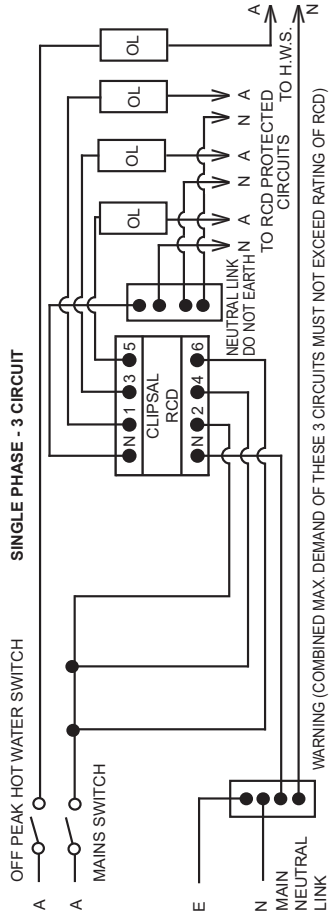


**OFF PEAK HOT WATER SWITCH**

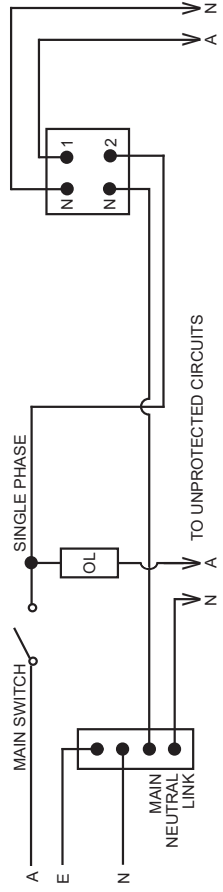
**SINGLE PHASE - 2 CIRCUIT**



**SINGLE PHASE - 3 CIRCUIT**



**CLIPSAL RCBM, 4RCBM AND 4RCBE SERIES COMBINED MCB/RCD WIRING DIAGRAM**



**NOTE: FOR BALANCED 2 AND 3Ø CIRCUITS NO NEUTRAL IS REQUIRED TO RCD PROTECTED CIRCUIT**