

PHILIPS

SmartBright



Trusted



Reliable



Great value

REAL
PROs
REAL
QUALITY



SmartBright weatherproof bulkhead

Real professionals choose **Philips SmartBright** for their everyday lighting installations.

Trusted performance, everyday.

The new tri-colour weatherproof bulkhead is suitable for a wide range of general exterior lighting applications.

Offering both dual power and tri-colour settings, the new bulkhead essentially performs six different lighting functions in just one single part number.

High colour rendering and high quality light combined with the weatherproof and vandal protected body makes this an ideal choice for any outdoor area.

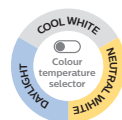
Features and benefits

- ✓ Dual power and tri-colour settings all in a single part number
- ✓ Multi-purpose weatherproof design with IP65/IK08 rating
- ✓ Excellent reliability with long service life
- ✓ Ideal for vertical wall mounting or horizontal ceiling mounting

Applications

- ✓ General outdoor applications
- ✓ Residential, office, commercial and retail buildings
- ✓ Entrances, courtyards, entertaining areas, balconies, car parks etc.

Product highlights



Dual
power

5
year
warranty

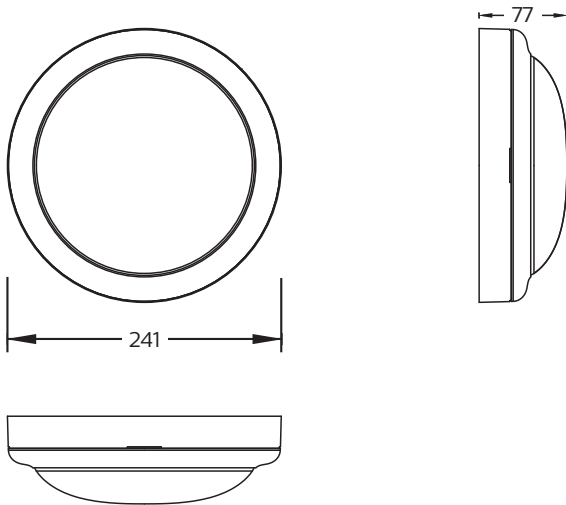
50,000
hours
L70

IP65
IK08

Product data

SmartBright tri-colour weatherproof bulkhead	
Type	WLO20C LED SWT/SCCT AU
Power (Selectable)	8W/16W
System lumens	800/1600lm
System efficacy	100lm/W
CCT (Selectable)	4000/5000/6500K
CRI	> 80
SDCM	4000K and 6500K: < 5; 5000K < 7
Beam angle	120°
IP / IK rating	IP65/IK08
Operating temperature	-20°C to +40°C
Lifetime	50,000 hrs (L70)
Input voltage	220-240V, 50/60Hz
Power factor	> 0.9
Electrical class	Class II
Driver	Fixed Output
Mounting type	Surface mount
Housing colour	RAL9016 white
Material	Housing: Polycarbonate (PC) Diffuser: Polycarbonate (PC)
Dimensions	W Ø241mm x H 77mm
Weight	0.6kg

Dimensions



Order information

Order code	Barcode	Power (W)	Light Output (lm)	CCT (K)	W Ø (mm)
WLO20CLSWSCT	8710163344386	8/16	800/1600	4000/5000/6500	241