

# Catalogue No: **MOLED80-02G**

## BEACON 12-LEDS STEADY/FLASH IP65 10-100V DC GREEN

Signalling Devices > Sight Indication > Beacons > Moflash Beacons > LED Beacons > MOLED80 Series - LED Beacons



Representative Photo Only  
(actual product may vary based on configuration selections)

### LED Beacon 10-100V DC - IP67 Clear Lens - Green LEDs

- Complete visual signalling range from high efficiency static or flashing LED's to high discharge Xenon beacons to rotating parabolic reflector beacons, we have the solution suitable for your application.
- Available in a variety of frame sizes and with accessories such as protective cages and brackets to cater to your mounting requirements.
- Multiple colour varieties available including Red, Green, Amber and Blue to convey whichever message is required.

#### SPECIFICATIONS

Product Series	LED80
Indication Mode(s)	Sight
Lamp Type	LED type
Number of LEDs	12
Colour, Lamp	Green colour
Illumination Mode	Steady / Flashing
Material, Lens	PC (Polycarbonate) - UV Stabilised
Ue, Rated Operational Voltage, DC, min	10 V DC
Ue, Rated Operational Voltage, DC, max	100 V DC
Ie, Rated Operational Current, nom	0.09 A,nom
Ie, Rated Operational Current, nom	0.09 A,nom
Details, Current	200mA Static at 24V DC.
Material, Body / Housing	PC (Polycarbonate) - UV Stabilised material
Connection / Termination	Built-in cable with flying leads
Length, Cable	0.5 m
IP Rating	IP67
Mounting (Multiple)	Mounting Plate (Included) Surface Mount
Weight	0.14 kg
Operating Temperature, Min	-20 °C min
Operating Temperature, Max	55 °C max
Certifications	CE RoHS

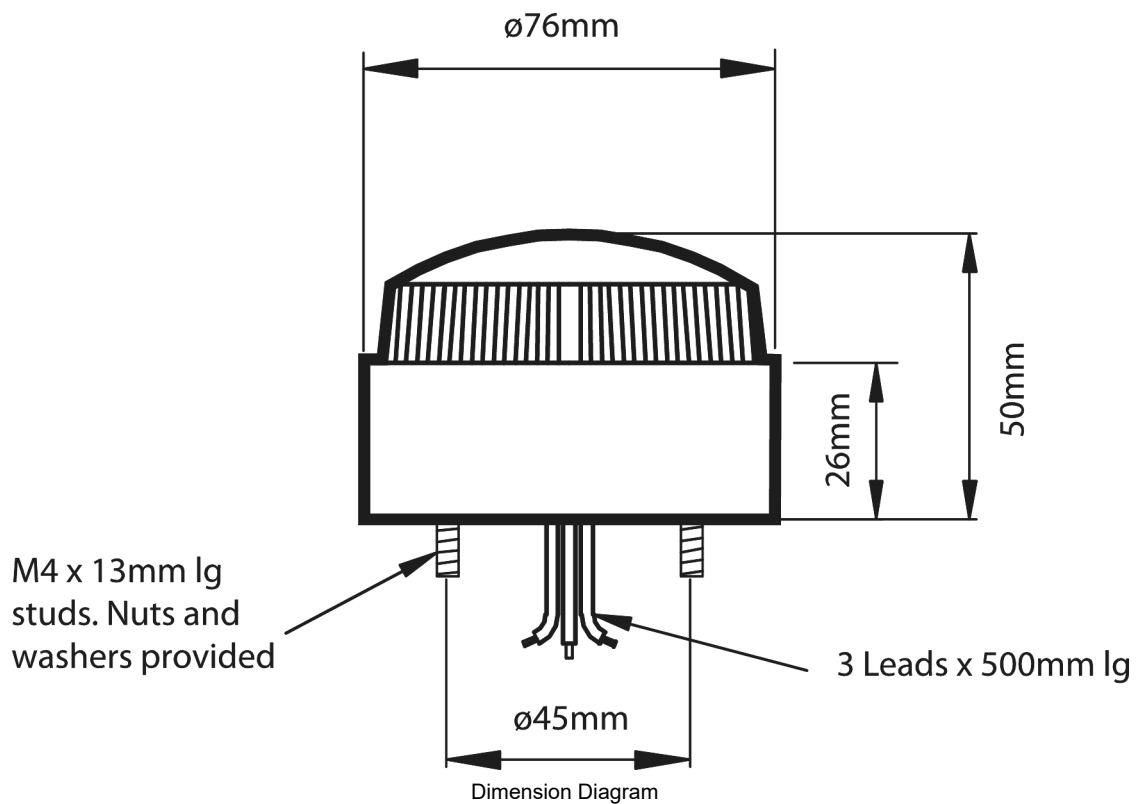
# Catalogue No: **MOLED80-02G**

## BEACON 12-LEDS STEADY/FLASH IP65 10-100V DC GREEN

Signalling Devices > Sight Indication > Beacons > Moflash Beacons > LED Beacons > MOLED80 Series - LED Beacons



REFERENCES	
IECEX Certificate	-
Supplier Declaration of Conformity:	-
Installation Guide:	<a href="#">MOLED80-02G_Installation Instructions</a>
User Manual:	-
Manufacturer Datasheet:	<a href="#">MOLED80-02G_ManufacturerDatasheet</a>
Manufacturer Catalogue & Product Selection:	-



Catalogue No: **MOLED80-02G**

**BEACON 12-LEDS STEADY/FLASH IP65 10-100V DC GREEN**

Signalling Devices > Sight Indication > Beacons > Moflash Beacons > LED Beacons > MOLED80 Series - LED Beacons

