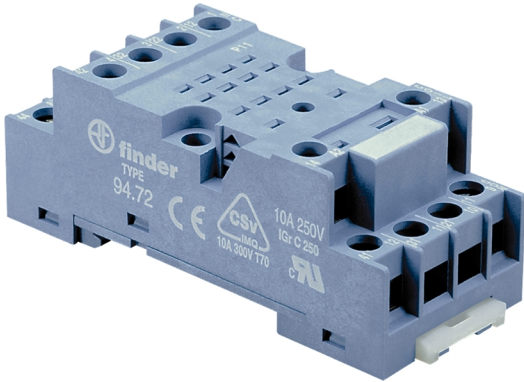


Base For 5532 Relay/9901 Led

- Lockable test button and mechanical flag indicator as standard on 2 & 4 pole types
- AC coils & DC coils
- Cadmium Free contacts (preferred version)
- 94 series sockets
- Coil EMC suppression
- Timer accessories 86 series



Representative Photo Only
(actual product may vary based on configuration selections)

SPECIFICATIONS

Dielectric Strength, between open Contacts	1000
Mounting	Plug-in
Height	70.5
Width	30
Depth	27
Shock Acceleration (Max.)	16
Shock Duration (Max.)	3
Vibration Acceleration (Max.)	15
Vibration Frequency, Operational (Max.)	55

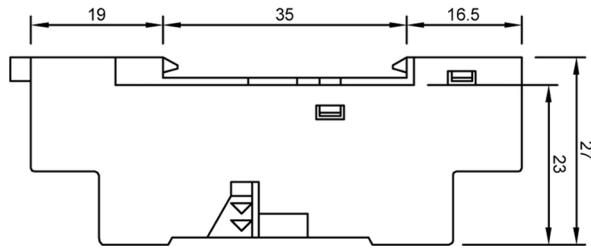
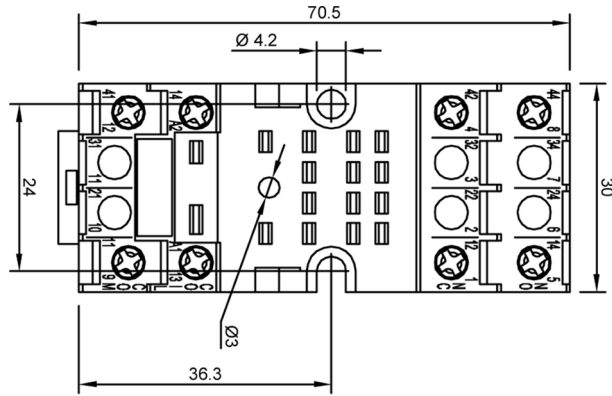
REFERENCES

IECEX Certificate	-
Supplier Declaration of Conformity:	-
Installation Guide:	-
User Manual:	-
Manufacturer Datasheet:	-
Manufacturer Catalogue & Product Selection:	-

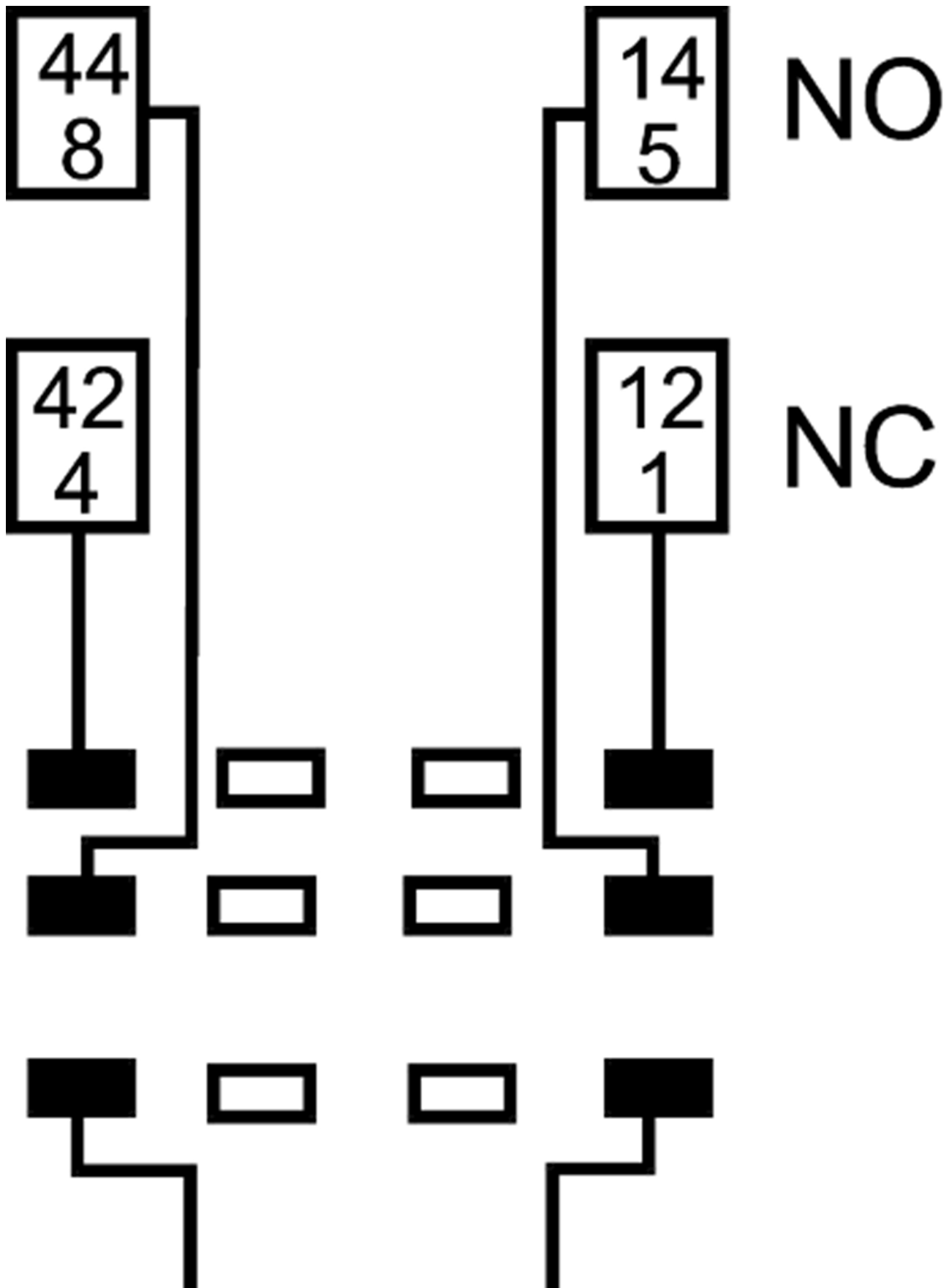
Catalogue No: **94.72**

BASE FOR 5532 RELAY/9901 LED

Timers and Control Relays > General Purpose Relays > Electromechanical Relays > Finder Electromechanical Relays > Power Relays > 55 Series Mini General Purpose Relays



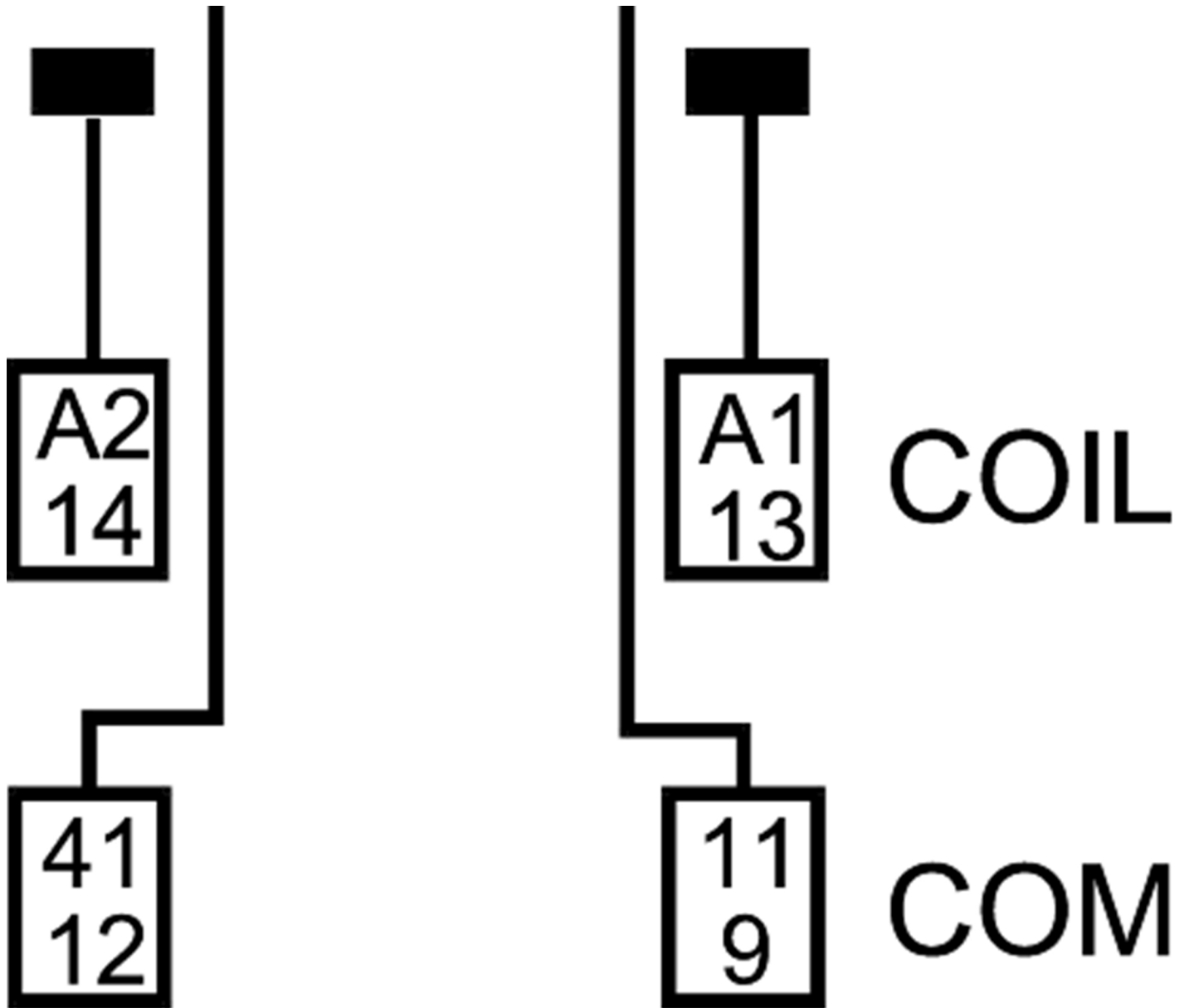
Dimension Diagram



Catalogue No: **94.72**

BASE FOR 5532 RELAY/9901 LED

Timers and Control Relays > General Purpose Relays > Electromechanical Relays > Finder Electromechanical Relays > Power Relays > 55 Series Mini General Purpose Relays



94.72

Connection / Wiring Diagram