



Technical Catalogue

Pro Series



clipsal.com/proseries

Life Is On

CLIPSAL
by Schneider Electric



Contents



Pro Series

Overview

| | |
|--------------------|-----|
| Marketing overview | 4-5 |
| Platform overview | 6 |

Ordering Information 8

| | |
|-------------------|------|
| Customer Ordering | 9-10 |
| Packaging | 11 |

Wiring Devices 12-130

| | |
|------------------------|---------|
| Switches | 13-24 |
| Switch grids | 25-36 |
| Switch skins | 37-42 |
| Cooker switches | 43-44 |
| IP rated switches | 45-48 |
| Architrave switches | 49-50 |
| Sockets | 51-74 |
| Socket grids | 75-91 |
| Socket skins | 92-107 |
| Mechanisms and Modules | 108-123 |

Electronic Accessories 124-133

Network Connectivity 134

| | |
|-----------------------|---------|
| Audio Connectors | 135-136 |
| TV sockets and plates | 137-138 |
| HDMI sockets | 139-140 |
| Telephone sockets | 141 |
| Actassi RJ 45 sockets | 142-145 |

Mounting Blocks 146-149

Wall Boxes 150

Wall Brackets 151

C-Bus Modules 152-153

Interfaces 154-163

Cut-out Diagrams 164-165

Wiring Diagrams 166-172

Pictograms and labels 173

Cleaning and General Instructions 174

Green Premium Overview -

The Pro Series – clever, strong, easy

Pro Series is the first range of hard-wearing switches and sockets designed to meet the needs of commercial buildings.

Clever features

After extensive market research and listening to customer feedback, we have designed a range of switches and sockets for commercial buildings to answer your needs. Pro Series offers permanent circuit identification with large integrated windows. The skin requires a tool to be removed and this helps to protect your investment. Planning, commissioning and installing of the Pro Series is quick and easy.

Attractive design

The range is aesthetically appealing with fresh, clean lines and beveled edges to deflect impacts. Available in white and black, the switches and sockets will blend into any commercial environment. The clean and seamless design makes for an elegant and timeless appearance and avoids attracting dirt. Pro Series is simple, functional design that's made to go the distance.

Extensive functions

The Pro Series includes a full range of products. Switches offer standard modules, and electronic modules such as sensors, timers and C-Bus. Sockets are available in several variants, and in horizontal and vertical orientation. There is also a wide choice of USB options available.



Pro Series socket, white



Pro Series socket, black



Circuit ID window



Clip-on Skins (tool removal)



Impact deflection



Seamless design



IK08 impact resistant

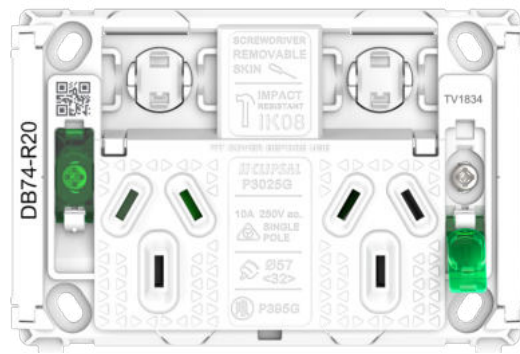


Extensive list of functions

Clever features

Clear advantages

With Pro Series, a clear window is included to help protect the Circuit identification labels. No longer can circuit identifiers be damaged, wiped off, or made unreadable. The labels adhere to panels designed into the grids, so even if skins are inadvertently swapped during maintenance, the labels will always display the correct circuit identification. There are two windows on opposite edges, so it can be visible in any situation.

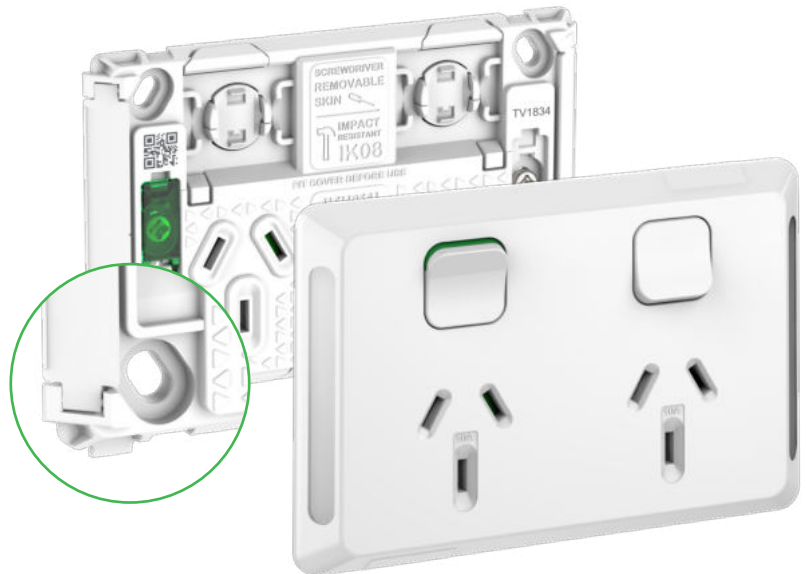


Consistent location on sockets and switches

Compatible with 9 mm Dymo and Traffolyte labels 55 x 7.5 x 1.6 mm

Public Spaces

Lost skins are a frequent problem in public buildings. The Pro Series comes with skins that clip-on but require a tool to remove. Fixing them is easy and fast – you simply click them onto the grid. No screws are needed. Special notches on the skins allow quick and easy removal with a screwdriver.



Long-lasting and robust

Sockets positioned low on walls can be exposed to rough conditions like bumps from trolleys and other equipment, which can often result in cracked or broken skins. That's why Pro Series sockets are made extra tough and have an IK08 impact rating*.



IK08 impact resistant

*Standard sockets only, does not include switches or sockets with extra switches.

Easier fit-offs

Switch plates

Locking bar

Helps to reduce the potential of module pushbacks, and makes it easier to change and upgrade

40 Series modules

Fully compatible with all 40 Series modules

Screw covers

Help limit direct access to the screws after installation



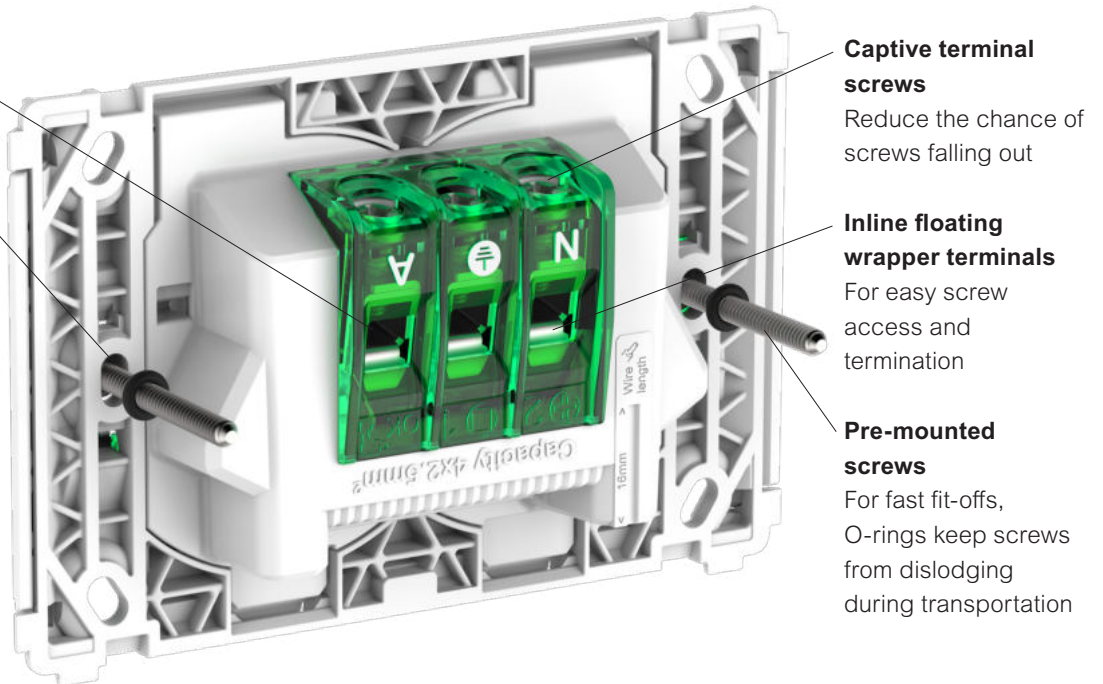
Sockets

Large terminals

Accommodate up to 4 x 2.5 mm cables

Standard mounting

84 mm mounting centres fit standard mounting accessories





Ordering Information

The Pro Series range allows for hundreds of custom configurations, including features such as dimming, BLE and timeclocks. It is available either preassembled or customisable for personal configuration.



The modular design allows users to create custom configurations to suit any specific requirement. The Pro Series grids, modules and skins can be ordered separately to allow users ultimate convenience.

A variety of convenient and popular configurations are available pre-assembled in White to make ordering easier. Black skins can be purchased separately.

Pro Series is compatible only with the 40 Series modules.

Switch nomenclature

| | |
|---------|---|
| P304XVA | (V) = vertical (A) = assembled |
| P304XHA | (H) = horizontal (A) = assembled |
| P30 | P3000 series |
| 4X | 40 Series Mech where (X) = Gang of switches [1 gang, 2 gang, 3 gang, etc] |

Socket Nomenclature

| | |
|----------|--|
| P30 | P3000 series |
| P3025 | Socket, switched, twin horizontal 10 Amp |
| P3025-15 | Socket, switched, twin horizontal 15 Amp |
| P3025V | Socket, switched, twin vertical 10 Amp |

Customer Ordering

Catalogue Number Convention

Example - Add the gridplate and decorative skin of your choice



Prefix = Design C = Skin ** = Finish



G = Grid



White=XW



Black=BK



Blue=DB*



Red=RD*

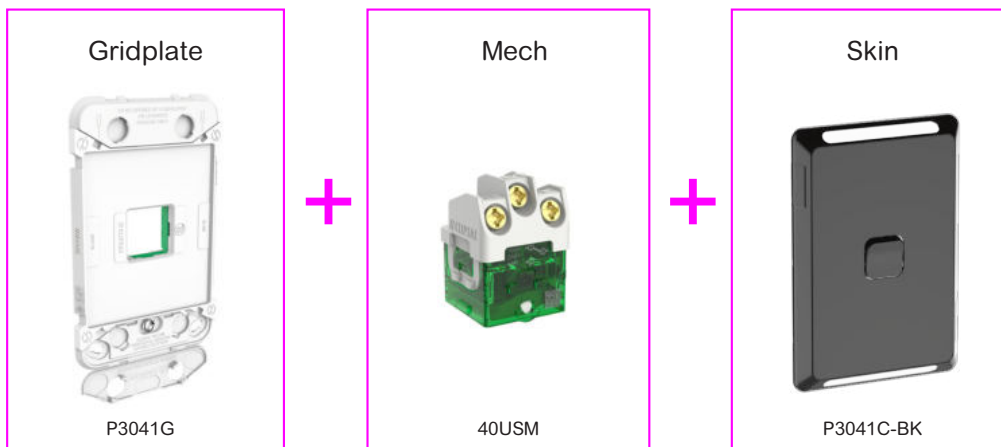


Green=GR*

*Available for specific references only

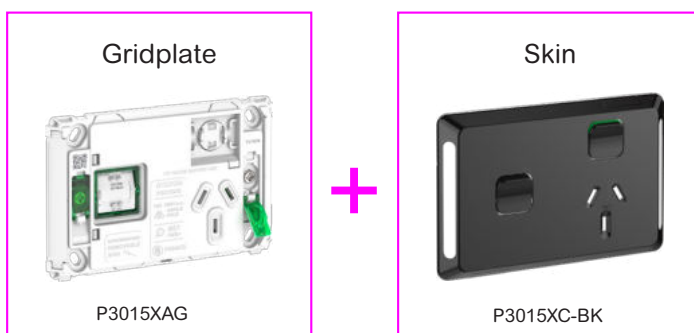
Single Switch

Example - Order the gridplate and the black skin



Switched Sockets

Example - Order the gridplate and the black skin



Single Switch + USB

Example - Add the gridplate + USB module and skin of your choice



2 Gang Switch + Pictograms

Example - Add the gridplate + Interfaces and skin of your choice



Packaging

A family of revolutionary packaging designs have been created for Pro Series

Boxes

Multi-function box design offers protection during transport and is ideal for electricians vans. Additionally, the box can be opened to transform into a shelf display.



Contains a quantity of 10 products (regular sized skins).



Contains a quantity of 5 products (longer quad skins).



Hangsell bags

Can be removed from their boxes and loaded directly into the trays.



Shipper Carton

Multi-function box design offers protection during transport and is ideal for electricians vans. Additionally, the box can be opened to transform into a shelf display.

Wiring Devices



Switches

P3041VA

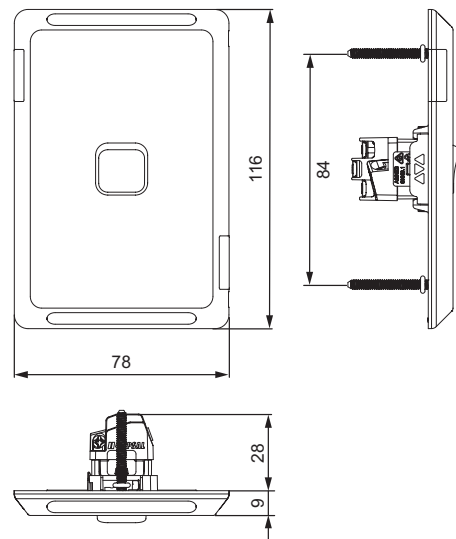
Pro Series - 1 gang vertical switch assembly 20 A - 16 AX 250 V

| Main | |
|---------------------|--------------------------------------|
| Range | Clipsal Pro Series |
| Product type | Switch |
| Device presentation | Complete switch |
| Included equipment | Screws, Switch, Grid plate, and Skin |
| Device application | Lighting |
| Mounted method | By screws |
| Colour | White (XW) |
| Type of packing | Polybag |
| Pack Size | Set of 10 |
| Electrical Rating | 20 A - 16 AX, 250 Vac 50 Hz |



| Complementary | |
|---------------------------------------|--|
| Device mounting | Flush |
| Switch function | 1/2-way |
| Number of gangs | 1 gang |
| Number of rocker | 1 |
| Actuator | Rocker |
| Surface finish | Gloss |
| Surface treatment | Untreated |
| Ambient air temperature for storage | 0...60 °C |
| Motor M-rating AS3133 | M80 |
| Load type | Inductive, Light, Fluorescent lamp, and LED |
| Ambient air temperature for operation | 0...45 °C |
| Relative humidity | 10...95 % |
| Electrical durability | 10,000 operations @ 20 A, conforming to AS/NZS 60669 |
| Connections - terminals | 4 x screw terminals |
| Screwdriver shape | Philips (No 2); Square drive No 1 (SQ1) |
| Cable size capacity | 4 x 1.5 mm ² ; 3 x 2.5 mm ² |
| Wire stripping length | 10 mm |
| Material | Grid plate : PC (polycarbonate) Screw cap : PC (polycarbonate) Infill : ABS (acrylonitrile butadiene-styrene) Skin : ABS (acrylonitrile butadiene-styrene) Window : PC (polycarbonate) Housing : PC (polycarbonate); PA66 (polyamide) Locking bar : POM (polyoxymethylene) |
| Dimensions (HxWxD) mm | 116x78x28 |
| Product weight | 0.067 kg |

Dimensions (mm)



| Environment | |
|------------------------|-----|
| Product certifications | RCM |

Switches (continued)

P3042VA

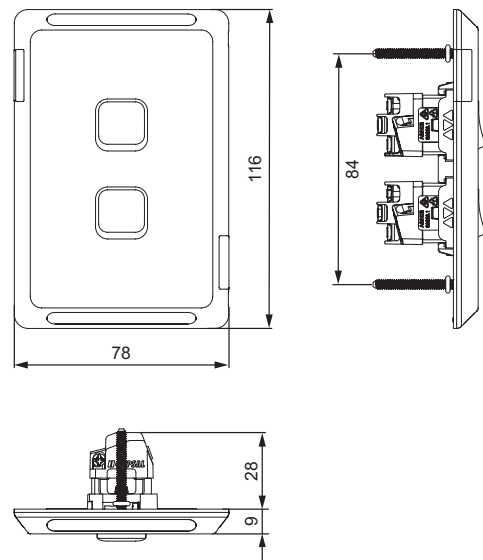
Pro Series - 2 gang vertical switch assembly 20 A - 16 AX 250 V

| Main | |
|---------------------|--|
| Range | Clipsal Pro Series |
| Product type | Switch |
| Device presentation | Complete switch |
| Included equipment | Screws, 2 x Switches, Grid plate, and Skin |
| Device application | Lighting |
| Mounted method | By screws |
| Colour | White (XW) |
| Type of packing | Polybag |
| Pack Size | Set of 10 |
| Electrical Rating | 20 A - 16 AX, 250 Vac 50 Hz |



| Complementary | |
|---------------------------------------|--|
| Device mounting | Flush |
| Switch function | 1/2-way |
| Number of gangs | 2 gang |
| Number of rocker | 2 |
| Actuator | Rocker |
| Surface finish | Gloss |
| Surface treatment | Untreated |
| Ambient air temperature for storage | 0...60 °C |
| Motor M-rating AS3133 | M80 |
| Load type | Inductive, Light, Fluorescent lamp, and LED |
| Ambient air temperature for operation | 0...45 °C |
| Relative humidity | 10...95 % |
| Electrical durability | 10,000 operations @ 20 A, conforming to AS/NZS 60669 |
| Connections - terminals | 4 x screw terminals |
| Screwdriver shape | Philips (No 2); Square drive No 1 (SQ1) |
| Cable size capacity | 4 x 1.5 mm ² ; 3 x 2.5 mm ² |
| Wire stripping length | 10 mm |
| Material | Grid plate : PC (polycarbonate) Screw cap : PC (polycarbonate) Infill : ABS (acrylonitrile butadiene-styrene) Skin : ABS (acrylonitrile butadiene-styrene) Window : PC (polycarbonate) Housing : PC (polycarbonate); PA66 (polyamide) Locking bar : POM (polyoxymethylene) |
| Dimensions (HxWxD) mm | 116x78x28 |
| Product weight | 0.082 kg |

Dimensions (mm)



| Environment | |
|------------------------|-----|
| Product certifications | RCM |

Switches (continued)

P3043VA

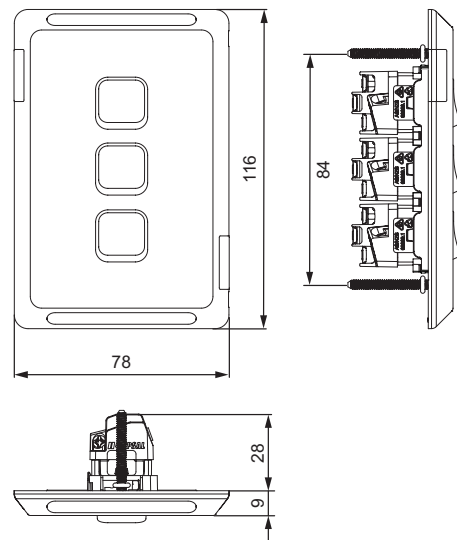
Pro Series - 3 gang vertical switch assembly 20 A - 16 AX 250 V

| Main | |
|---------------------|--|
| Range | Clipsal Pro Series |
| Product type | Switch |
| Device presentation | Complete switch |
| Included equipment | Screws, 3 x Switches, Grid plate, and Skin |
| Device application | Lighting |
| Mounted method | By screws |
| Colour | White (XW) |
| Type of packing | Polybag |
| Pack Size | Set of 10 |
| Electrical Rating | 20 A - 16 AX, 250 Vac 50 Hz |



| Complementary | |
|---------------------------------------|--|
| Device mounting | Flush |
| Switch function | 1/2-way |
| Number of gangs | 3 gang |
| Number of rocker | 3 |
| Actuator | Rocker |
| Surface finish | Gloss |
| Surface treatment | Untreated |
| Ambient air temperature for storage | 0...60 °C |
| Motor M-rating AS3133 | M80 |
| Load type | Inductive, Light, Fluorescent lamp, and LED |
| Ambient air temperature for operation | 0...45 °C |
| Relative humidity | 10...95 % |
| Electrical durability | 10,000 operations @ 20 A, conforming to AS/NZS 60669 |
| Connections - terminals | 4 x screw terminals |
| Screwdriver shape | Philips (No 2); Square drive No 1 (SQ1) |
| Cable size capacity | 4 x 1.5 mm ² ; 3 x 2.5 mm ² |
| Wire stripping length | 10 mm |
| Material | Grid plate : PC (polycarbonate) Screw cap : PC (polycarbonate) Infill : ABS (acrylonitrile butadiene-styrene) Skin : ABS (acrylonitrile butadiene-styrene) Window : PC (polycarbonate) Housing : PC (polycarbonate); PA66 (polyamide) Locking bar : POM (polyoxymethylene) |
| Dimensions (HxWxD) mm | 116x78x28 |
| Product weight | 0.097 kg |

Dimensions (mm)



| Environment | |
|------------------------|-----|
| Product certifications | RCM |

Switches (continued)

P3044VA

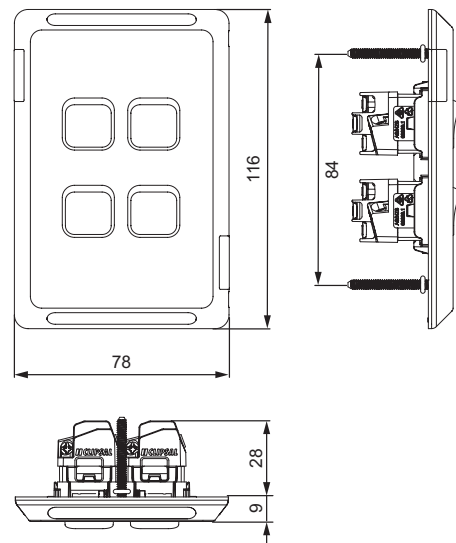
Pro Series - 4 gang vertical switch assembly 20 A - 16 AX 250 V

| Main | |
|---------------------|--|
| Range | Clipsal Pro Series |
| Product type | Switch |
| Device presentation | Complete switch |
| Included equipment | Screws, 4 x Switches, Grid plate, and Skin |
| Device application | Lighting |
| Mounted method | By screws |
| Colour | White (XW) |
| Type of packing | Polybag |
| Pack Size | Set of 10 |
| Electrical Rating | 20 A - 16 AX, 250 Vac 50 Hz |



| Complementary | |
|---------------------------------------|--|
| Device mounting | Flush |
| Switch function | 1/2-way |
| Number of gangs | 4 gang |
| Number of rocker | 4 |
| Actuator | Rocker |
| Surface finish | Gloss |
| Surface treatment | Untreated |
| Ambient air temperature for storage | 0...60 °C |
| Motor M-rating AS3133 | M80 |
| Load type | Inductive, Light, Fluorescent lamp, and LED |
| Ambient air temperature for operation | 0...45 °C |
| Relative humidity | 10...95 % |
| Electrical durability | 10,000 operations @ 20 A, conforming to AS/NZS 60669 |
| Connections - terminals | 4 x screw terminals |
| Screwdriver shape | Philips (No 2); Square drive No 1 (SQ1) |
| Cable size capacity | 4 x 1.5 mm ² ; 3 x 2.5 mm ² |
| Wire stripping length | 10 mm |
| Material | Grid plate : PC (polycarbonate) Screw cap : PC (polycarbonate) Infill : ABS (acrylonitrile butadiene-styrene) Skin : ABS (acrylonitrile butadiene-styrene) Window : PC (polycarbonate) Housing : PC (polycarbonate); PA66 (polyamide) Locking bar : POM (polyoxymethylene) |
| Dimensions (HxWxD) mm | 116x78x28 |
| Product weight | 0.114 kg |

Dimensions (mm)



| Environment | |
|------------------------|-----|
| Product certifications | RCM |

Switches (continued)

P3045VA

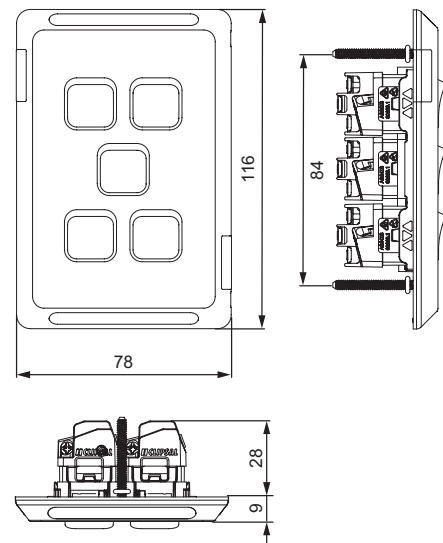
Pro Series - 5 gang vertical switch assembly 20 A - 16 AX 250 V

| Main | |
|---------------------|--|
| Range | Clipsal Pro Series |
| Product type | Switch |
| Device presentation | Complete switch |
| Included equipment | Screws, 5 x Switches, Grid plate, and Skin |
| Device application | Lighting |
| Mounted method | By screws |
| Colour | White (XW) |
| Type of packing | Polybag |
| Pack Size | Set of 10 |
| Electrical Rating | 20 A - 16 AX, 250 Vac 50 Hz |



| Complementary | |
|---------------------------------------|--|
| Device mounting | Flush |
| Switch function | 1/2-way |
| Number of gangs | 5 gang |
| Number of rocker | 5 |
| Actuator | Rocker |
| Surface finish | Gloss |
| Surface treatment | Untreated |
| Ambient air temperature for storage | 0...60 °C |
| Motor M-rating AS3133 | M80 |
| Load type | Inductive, Light, Fluorescent lamp, and LED |
| Ambient air temperature for operation | 0...45 °C |
| Relative humidity | 10...95 % |
| Electrical durability | 10,000 operations @ 20 A, conforming to AS/NZS 60669 |
| Connections - terminals | 4 x screw terminals |
| Screwdriver shape | Philips (No 2); Square drive No 1 (SQ1) |
| Cable size capacity | 4 x 1.5 mm ² ; 3 x 2.5 mm ² |
| Wire stripping length | 10 mm |
| Material | Grid plate : PC (polycarbonate) Screw cap : PC (polycarbonate) Infill : ABS (acrylonitrile butadiene-styrene) Skin : ABS (acrylonitrile butadiene-styrene) Window : PC (polycarbonate) Housing : PC (polycarbonate); PA66 (polyamide) Locking bar : POM (polyoxymethylene) |
| Dimensions (HxWxD) mm | 116x78x28 |
| Product weight | 0.108 kg |

Dimensions (mm)



| Environment | |
|------------------------|-----|
| Product certifications | RCM |

Switches (continued)

P3046VA

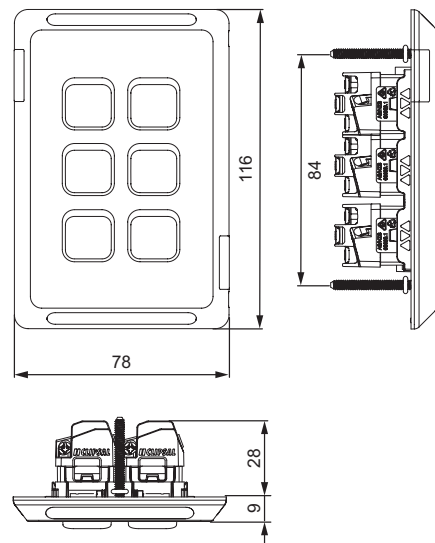
Pro Series - 6 gang vertical switch assembly 20 A - 16 AX 250 V

| Main | |
|---------------------|--|
| Range | Clipsal Pro Series |
| Product type | Switch |
| Device presentation | Complete switch |
| Included equipment | Screws, 6 x Switches, Grid plate, and Skin |
| Device application | Lighting |
| Mounted method | By screws |
| Colour | White (XW) |
| Type of packing | Polybag |
| Pack Size | Set of 10 |
| Electrical Rating | 20 A - 16 AX, 250 Vac 50 Hz |



| Complementary | |
|---------------------------------------|--|
| Device mounting | Flush |
| Switch function | 1/2-way |
| Number of gangs | 6 gang |
| Number of rocker | 6 |
| Actuator | Rocker |
| Surface finish | Gloss |
| Surface treatment | Untreated |
| Ambient air temperature for storage | 0...60 °C |
| Motor M-rating AS3133 | M80 |
| Load type | Inductive, Light, Fluorescent lamp, and LED |
| Ambient air temperature for operation | 0...45 °C |
| Relative humidity | 10...95 % |
| Electrical durability | 10,000 operations @ 20 A, conforming to AS/NZS 60669 |
| Connections - terminals | 4 x screw terminals |
| Screwdriver shape | Philips (No 2); Square drive No 1 (SQ1) |
| Cable size capacity | 4 x 1.5 mm ² ; 3 x 2.5 mm ² |
| Wire stripping length | 10 mm |
| Material | Grid plate : PC (polycarbonate) Screw cap : PC (polycarbonate) Infill : ABS (acrylonitrile butadiene-styrene) Skin : ABS (acrylonitrile butadiene-styrene) Window : PC (polycarbonate) Housing : PC (polycarbonate); PA66 (polyamide) Locking bar : POM (polyoxymethylene) |
| Dimensions (HxWxD) mm | 116x78x28 |
| Product weight | 0.125 kg |

Dimensions (mm)



| Environment | |
|------------------------|-----|
| Product certifications | RCM |

Switches (continued)

P3041HA

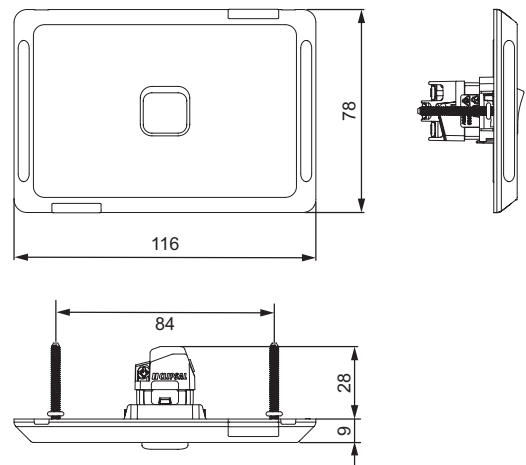
Pro Series - 1 gang horizontal switch assembly 20 A - 16 AX 250 V

| Main | |
|---------------------|--------------------------------------|
| Range | Clipsal Pro Series |
| Product type | Switch |
| Device presentation | Complete switch |
| Included equipment | Screws, Switch, Grid plate, and Skin |
| Device application | Lighting |
| Mounted method | By screws |
| Colour | White (XW) |
| Type of packing | Polybag |
| Pack Size | Set of 10 |
| Electrical Rating | 20 A - 16 AX, 250 Vac 50 Hz |



| Complementary | |
|---------------------------------------|--|
| Device mounting | Flush |
| Switch function | 1/2-way |
| Number of gangs | 1 gang |
| Number of rocker | 1 |
| Actuator | Rocker |
| Surface finish | Gloss |
| Surface treatment | Untreated |
| Ambient air temperature for storage | 0...60 °C |
| Motor M-rating AS3133 | M80 |
| Load type | Inductive, Light, Fluorescent lamp, and LED |
| Ambient air temperature for operation | 0...45 °C |
| Relative humidity | 10...95 % |
| Electrical durability | 10,000 operations @ 20A, conforming to AS/NZS 60669 |
| Connections - terminals | 4 x screw terminals |
| Screwdriver shape | Philips (No 2); Square drive No 1 (SQ1) |
| Cable size capacity | 4 x 1.5 mm ² ; 3 x 2.5 mm ² |
| Wire stripping length | 10 mm |
| Material | Grid plate : PC (polycarbonate) Screw cap : PC (polycarbonate) Infill : ABS (acrylonitrile butadiene-styrene) Skin : ABS (acrylonitrile butadiene-styrene) Window : PC (polycarbonate) Housing : PC (polycarbonate); PA66 (polyamide) Locking bar : POM (polyoxymethylene) |
| Dimensions (HxWxD) mm | 78x116x28 |
| Product weight | 0.05 kg |

Dimensions (mm)



| Environment | |
|------------------------|-----|
| Product certifications | RCM |

Switches (continued)

P3042HA

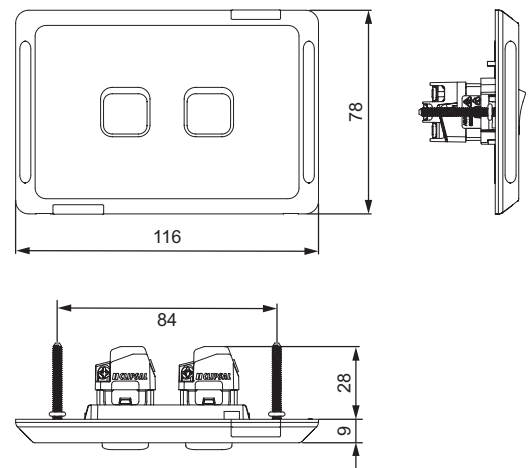
Pro Series - 2 gang horizontal switch assembly 20 A - 16 AX 250 V

| Main | |
|---------------------|--|
| Range | Clipsal Pro Series |
| Product type | Switch |
| Device presentation | Complete switch |
| Included equipment | Screws, 2 x Switches, Grid plate, and Skin |
| Device application | Lighting |
| Mounted method | By screws |
| Colour | White (XW) |
| Type of packing | Polybag |
| Pack Size | Set of 10 |
| Electrical Rating | 20 A - 16 AX, 250 Vac 50 Hz |

| Complementary | |
|---------------------------------------|--|
| Device mounting | Flush |
| Switch function | 1/2-way |
| Number of gangs | 2 gang |
| Number of rocker | 2 |
| Actuator | Rocker |
| Surface finish | Gloss |
| Surface treatment | Untreated |
| Ambient air temperature for storage | 0...60 °C |
| Motor M-rating AS3133 | M80 |
| Load type | Inductive, Light, Fluorescent lamp, and LED |
| Ambient air temperature for operation | 0...45 °C |
| Relative humidity | 10...95 % |
| Electrical durability | 10,000 operations @ 20A, conforming to AS/NZS 60669 |
| Connections - terminals | 4 x screw terminals |
| Screwdriver shape | Philips (No 2); Square drive No 1 (SQ1) |
| Cable size capacity | 4 x 1.5 mm ² ; 3 x 2.5 mm ² |
| Wire stripping length | 10 mm |
| Material | Grid plate : PC (polycarbonate) Screw cap : PC (polycarbonate) Infill : ABS (acrylonitrile butadiene-styrene) Skin : ABS (acrylonitrile butadiene-styrene) Window : PC (polycarbonate) Housing : PC (polycarbonate); PA66 (polyamide) Locking bar : POM (polyoxymethylene) |
| Dimensions (HxWxD) mm | 78x116x28 |
| Product weight | 0.066 kg |



Dimensions (mm)



| Environment | |
|------------------------|-----|
| Product certifications | RCM |

Switches (continued)

P3043HA

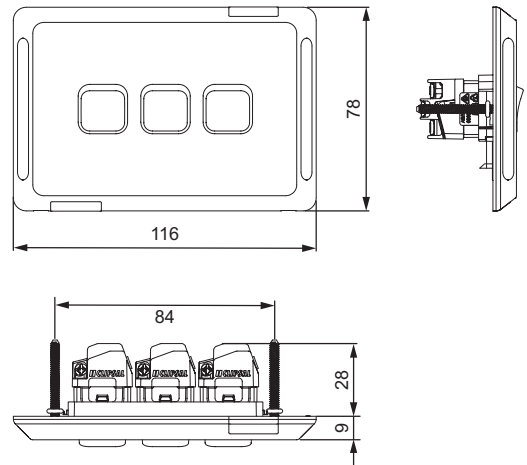
Pro Series - 3 gang horizontal switch assembly 20 A - 16 AX 250 V

| Main | |
|---------------------|--|
| Range | Clipsal Pro Series |
| Product type | Switch |
| Device presentation | Complete switch |
| Included equipment | Screws, 3 x Switches, Grid plate, and Skin |
| Device application | Lighting |
| Mounted method | By screws |
| Colour | White (XW) |
| Type of packing | Polybag |
| Pack Size | Set of 10 |
| Electrical Rating | 20 A - 16 AX, 250 Vac 50 Hz |



| Complementary | |
|---------------------------------------|--|
| Device mounting | Flush |
| Switch function | 1/2-way |
| Number of gangs | 3 gang |
| Number of rocker | 3 |
| Actuator | Rocker |
| Surface finish | Gloss |
| Surface treatment | Untreated |
| Ambient air temperature for storage | 0...60 °C |
| Motor M-rating AS3133 | M80 |
| Load type | Inductive, Light, Fluorescent lamp, and LED |
| Ambient air temperature for operation | 0...45 °C |
| Relative humidity | 10...95 % |
| Electrical durability | 10,000 operations @ 20A, conforming to AS/NZS 60669 |
| Connections - terminals | 4 x screw terminals |
| Screwdriver shape | Philips (No 2); Square drive No 1 (SQ1) |
| Cable size capacity | 4 x 1.5 mm ² ; 3 x 2.5 mm ² |
| Wire stripping length | 10 mm |
| Material | Grid plate : PC (polycarbonate) Screw cap : PC (polycarbonate) Infill : ABS (acrylonitrile butadiene-styrene) Skin : ABS (acrylonitrile butadiene-styrene) Window : PC (polycarbonate) Housing : PC (polycarbonate); PA66 (polyamide) Locking bar : POM (polyoxymethylene) |
| Dimensions (HxWxD) mm | 78x116x28 |
| Product weight | 0.076 kg |

Dimensions (mm)



| Environment | |
|------------------------|-----|
| Product certifications | RCM |

Switches (continued)

P3044HA

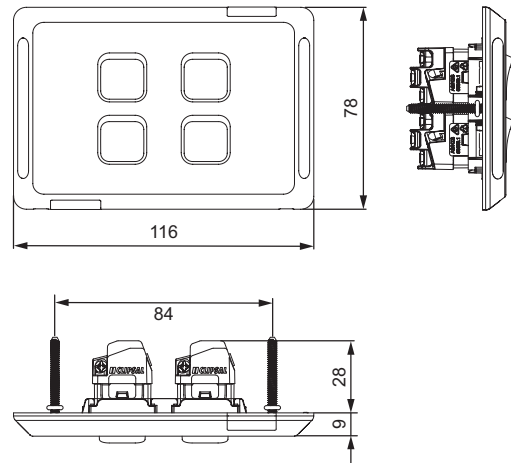
Pro Series - 4 gang horizontal switch assembly 20 A - 16 AX 250 V

| Main | |
|---------------------|--|
| Range | Clipsal Pro Series |
| Product type | Switch |
| Device presentation | Complete switch |
| Included equipment | Screws, 4 x Switches, Grid plate, and Skin |
| Device application | Lighting |
| Mounted method | By screws |
| Colour | White (XW) |
| Type of packing | Polybag |
| Pack Size | Set of 10 |
| Electrical Rating | 20 A - 16 AX, 250 Vac 50 Hz |



| Complementary | |
|---------------------------------------|--|
| Device mounting | Flush |
| Switch function | 1/2-way |
| Number of gangs | 4 gang |
| Number of rocker | 4 |
| Actuator | Rocker |
| Surface finish | Gloss |
| Surface treatment | Untreated |
| Ambient air temperature for storage | 0...60 °C |
| Motor M-rating AS3133 | M80 |
| Load type | Inductive, Light, Fluorescent lamp, and LED |
| Ambient air temperature for operation | 0...45 °C |
| Relative humidity | 10...95 % |
| Electrical durability | 10,000 operations @ 20 A, conforming to AS/NZS 60669 |
| Connections - terminals | 4 x screw terminals |
| Screwdriver shape | Philips (No 2); Square drive No 1 (SQ1) |
| Cable size capacity | 4 x 1.5 mm ² ; 3 x 2.5 mm ² |
| Wire stripping length | 10 mm |
| Material | Grid plate : PC (polycarbonate) Screw cap : PC (polycarbonate) Infill : ABS (acrylonitrile butadiene-styrene) Skin : ABS (acrylonitrile butadiene-styrene) Window : PC (polycarbonate) Housing : PC (polycarbonate); PA66 (polyamide) Locking bar : POM (polyoxymethylene) |
| Dimensions (HxWxD) mm | 78x116x28 |
| Product weight | 0.092 kg |

Dimensions (mm)



| Environment | |
|------------------------|-----|
| Product certifications | RCM |

Switches (continued)

P3040VX

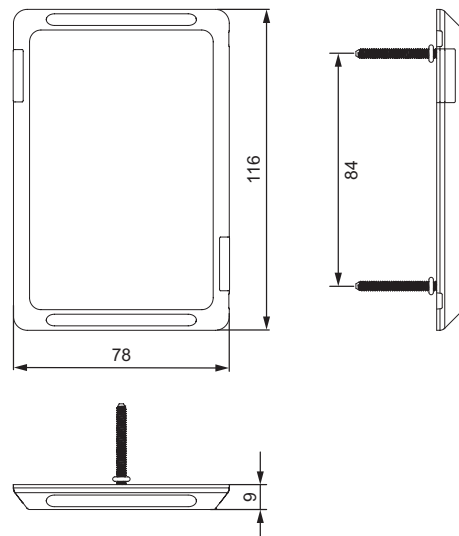
Pro Series - Blank plate to conceal holes in walls

| Main | |
|--------------------|------------------------------|
| Range | Clipsal Pro Series |
| Aesthetic name | Pro Series |
| Product type | Blank Plate |
| Provided equipment | Screws, Grid plate, and Skin |
| Pack Size | Set of 10 |
| Colour | White (XW), Black (BK) |
| Type of packing | Polybag |

| Complementary | |
|---------------------------------------|--|
| Device mounting | Flush |
| Device presentation | Assembly |
| Fixing mode | By screws |
| Surface finish | Gloss |
| Surface treatment | Untreated |
| Screwdriver shape | Philips (No 2); Square drive No 1 (SQ1) |
| Ambient air temperature for storage | 0...60 °C |
| Ambient air temperature for operation | 0...45 °C |
| Relative humidity | 10...95 % |
| Material | Grid plate : PC (polycarbonate) Screw cap : PC (polycarbonate) Infill : ABS (acrylonitrile butadiene-styrene) Skin : ABS (acrylonitrile butadiene-styrene) Window : PC (polycarbonate) |
| Dimensions (HxWxD) mm | 116x78x9 |
| Product weight | 0.04 kg |



Dimensions (mm)



Switches (continued)

P3019

Pro Series - Switch Time Delay 10 A

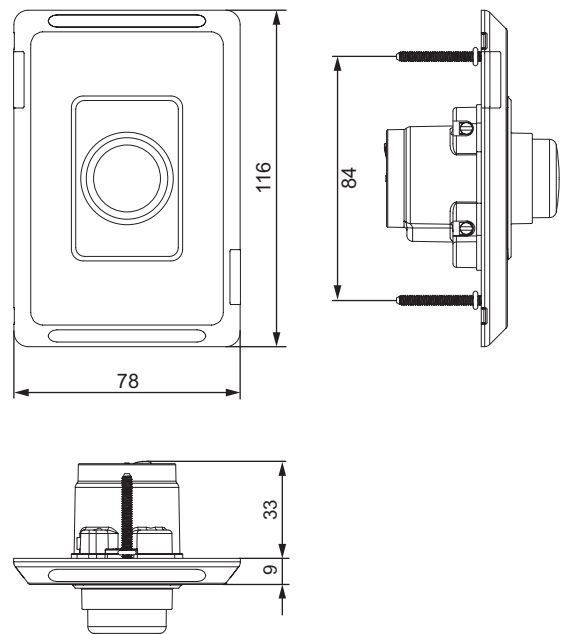
| Main | |
|---------------------|--------------------|
| Range | Clipsal Pro Series |
| Product type | Time switch |
| Device presentation | Complete product |
| Device application | Lighting |
| Colour | White (XW) |
| Fixing mode | By screws |
| Type of packing | Polybag |
| Quantity per set | Set of 5 |
| Rated current | 6 AX |

| Complementary | |
|---------------------------------------|---|
| Device mounting | Wall |
| Control type | Push type |
| Switch function | 1-pole 1-way |
| Number of rocker | 1 |
| [Ue] rated operational voltage | 250 V |
| Surface finish | Gloss |
| Surface treatment | Untreated |
| Ambient air temperature for operation | 0-45 °C |
| Relative humidity | 10-95 % |
| Connections - terminals | Screw terminal |
| Cable size capacity | 4 x 1.5 mm ² ; 3 x 2.5 mm ² |
| Material | PC (polycarbonate) PP (polypropylene) ABS (acrylonitrile butadiene-styrene) POM (polyoxymethylene) |
| Dimensions (HxWxD) mm | 116x78x38 |
| Product weight | 0.108 kg |

| Environment | |
|------------------------|-----|
| Product certifications | RCM |



Dimensions (mm)



Switch Grids

P3041G

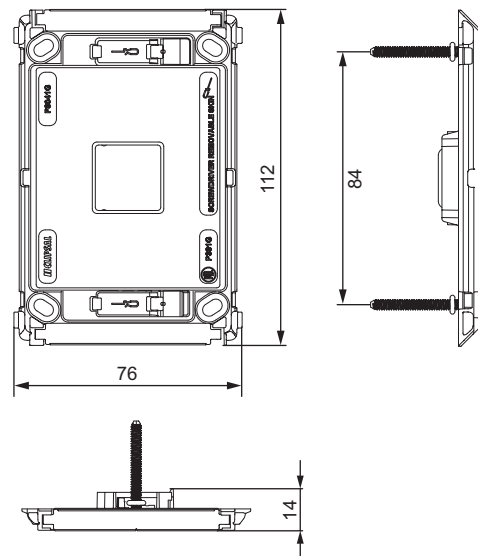
Pro Series - 1 gang grid plate vertical/horizontal

| Main | |
|---------------------|-----------------------|
| Range | Clipsal Pro Series |
| Product type | Switch |
| Device presentation | Grid plate |
| Included equipment | Screws and Grid plate |
| Mounted method | By screws |
| Type of packing | Polybag |
| Pack Size | Set of 10 |

| Complementary | |
|---------------------------------------|---|
| Number of gangs | 1 gang |
| Ambient air temperature for storage | 0...60 °C |
| Ambient air temperature for operation | 0...45 °C |
| Relative humidity | 10...95 % |
| Screwdriver shape | Philips (No 2); Square drive No 1 (SQ1) |
| Material | Grid plate : PC (polycarbonate) Screw cap : PC (polycarbonate) Infill : ABS (acrylonitrile butadiene-styrene) Locking bar : POM (polyoxymethylene) |
| Dimensions (HxWxD) mm | 112x76x5 |
| Product weight | 0.032 kg |



Dimensions (mm)



Switch Grids (continued)

P3042G

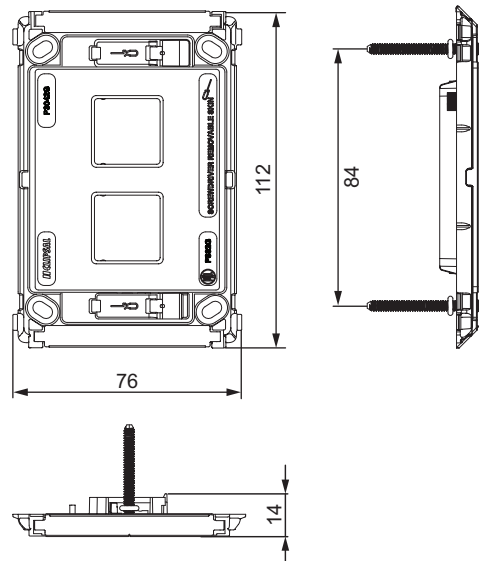
Pro Series - 2 gang grid plate vertical/horizontal

| Main | |
|---------------------|-----------------------|
| Range | Clipsal Pro Series |
| Product type | Switch |
| Device presentation | Grid plate |
| Included equipment | Screws and Grid plate |
| Mounted method | By screws |
| Type of packing | Polybag |
| Pack Size | Set of 10 |

| Complementary | |
|---------------------------------------|---|
| Number of gangs | 2 gang |
| Ambient air temperature for storage | 0...60 °C |
| Ambient air temperature for operation | 0...45 °C |
| Relative humidity | 10...95 % |
| Screwdriver shape | Philips (No 2); Square drive No 1 (SQ1) |
| Material | Grid plate : PC (polycarbonate) Screw cap : PC (polycarbonate) Infill : ABS (acrylonitrile butadiene-styrene) Locking bar : POM (polyoxymethylene) |
| Dimensions (HxWxD) mm | 112x76x5 |
| Product weight | 0.032 kg |



Dimensions (mm)



Switch Grids (continued)

P3043G

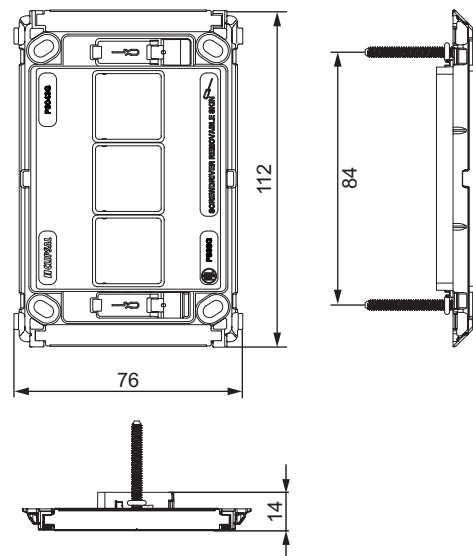
Pro Series - 3 gang grid plate vertical/horizontal

| Main | |
|---------------------|-----------------------|
| Range | Clipsal Pro Series |
| Product type | Switch |
| Device presentation | Grid plate |
| Included equipment | Screws and Grid plate |
| Mounted method | By screws |
| Type of packing | Polybag |
| Pack Size | Set of 10 |

| Complementary | |
|---------------------------------------|---|
| Number of gangs | 3 gang |
| Ambient air temperature for storage | 0...60 °C |
| Ambient air temperature for operation | 0...45 °C |
| Relative humidity | 10...95 % |
| Screwdriver shape | Philips (No 2); Square drive No 1 (SQ1) |
| Material | Grid plate : PC (polycarbonate) Screw cap : PC (polycarbonate) Infill : ABS (acrylonitrile butadiene-styrene) Locking bar : POM (polyoxymethylene) |
| Dimensions (HxWxD) mm | 112x76x5 |
| Product weight | 0.03 kg |



Dimensions (mm)



Switch Grids (continued)

P3044G

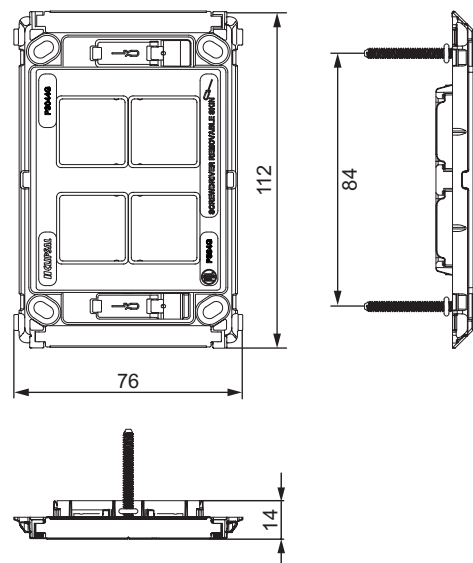
Pro Series - 4 gang grid plate vertical/horizontal

| Main | |
|---------------------|-----------------------|
| Range | Clipsal Pro Series |
| Product type | Switch |
| Device presentation | Grid plate |
| Included equipment | Screws and Grid plate |
| Mounted method | By screws |
| Type of packing | Polybag |
| Pack Size | Set of 10 |

| Complementary | |
|---------------------------------------|---|
| Number of gangs | 4 gang |
| Ambient air temperature for storage | 0...60 °C |
| Ambient air temperature for operation | 0...45 °C |
| Relative humidity | 10...95 % |
| Screwdriver shape | Philips (No 2); Square drive No 1 (SQ1) |
| Material | Grid plate : PC (polycarbonate) Screw cap : PC (polycarbonate) Infill : ABS (acrylonitrile butadiene-styrene) Locking bar : POM (polyoxymethylene) |
| Dimensions (HxWxD) mm | 112x76x5 |
| Product weight | 0.03 kg |



Dimensions (mm)



Switch Grids (continued)

P3045G

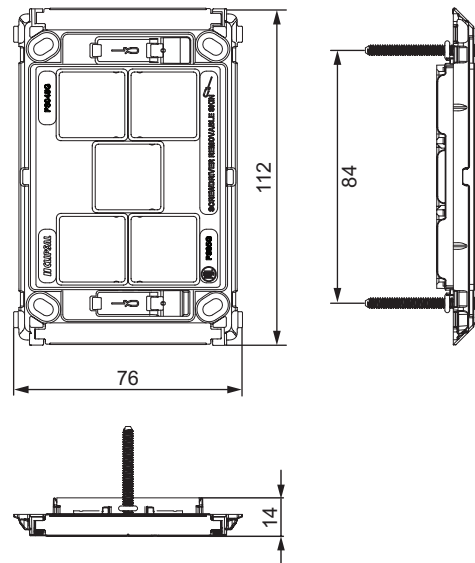
Pro Series - 5 gang grid plate vertical/horizontal

| Main | |
|---------------------|-----------------------|
| Range | Clipsal Pro Series |
| Product type | Switch |
| Device presentation | Grid plate |
| Included equipment | Screws and Grid plate |
| Mounted method | By screws |
| Type of packing | Polybag |
| Pack Size | Set of 10 |

| Complementary | |
|---------------------------------------|---|
| Number of gangs | 5 gang |
| Ambient air temperature for storage | 0...60 °C |
| Ambient air temperature for operation | 0...45 °C |
| Relative humidity | 10...95 % |
| Screwdriver shape | Philips (No 2); Square drive No 1 (SQ1) |
| Material | Grid plate : PC (polycarbonate) Screw cap : PC (polycarbonate) Infill : ABS (acrylonitrile butadiene-styrene) Locking bar : POM (polyoxymethylene) |
| Dimensions (HxWxD) mm | 112x76x5 |
| Product weight | 0.032 kg |



Dimensions (mm)



Switch Grids (continued)

P3046G

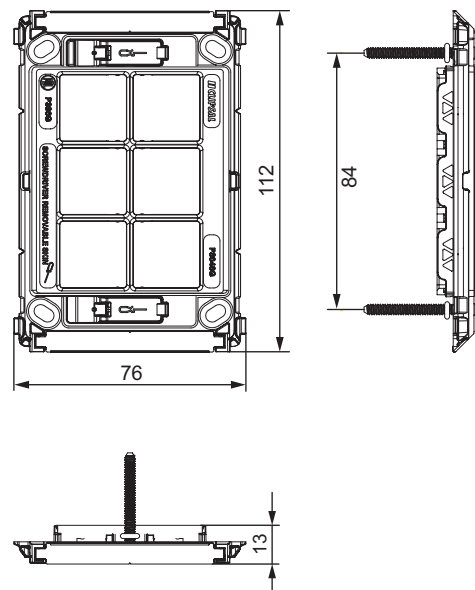
Pro Series - 6 gang grid plate vertical/horizontal

| Main | |
|---------------------|-----------------------|
| Range | Clipsal Pro Series |
| Product type | Switch |
| Device presentation | Grid plate |
| Included equipment | Screws and Grid plate |
| Mounted method | By screws |
| Type of packing | Polybag |
| Pack Size | Set of 10 |

| Complementary | |
|---------------------------------------|---|
| Number of gangs | 6 gang |
| Ambient air temperature for storage | 0...60 °C |
| Ambient air temperature for operation | 0...45 °C |
| Relative humidity | 10...95 % |
| Screwdriver shape | Philips (No 2); Square drive No 1 (SQ1) |
| Material | Grid plate : PC (polycarbonate) Screw cap : PC (polycarbonate) Infill : ABS (acrylonitrile butadiene-styrene) Locking bar : POM (polyoxymethylene) |
| Dimensions (HxWxD) mm | 112x76x5 |
| Product weight | 0.03 kg |



Dimensions (mm)



Switch Grids (continued)

P3041VH

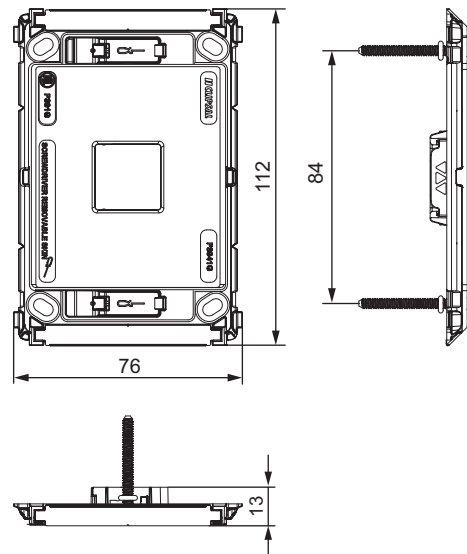
Pro series - 1 gang grid plate and skin with rocker, vertical/horizontal

| Main | |
|---------------------|-----------------------------|
| Range | Clipsal Pro Series |
| Product type | Switch |
| Device presentation | Grid plate and Skin |
| Included equipment | Screws, Grid plate and Skin |
| Mounted method | By screws |
| Type of packing | Polybag |
| Pack Size | Set of 10 |

| Complementary | |
|---------------------------------------|--|
| Colour | White (XW) |
| Surface finish | Gloss |
| Ambient air temperature for operation | 0-45 °C |
| Relative humidity | 10-95 % |
| Screwdriver shape | Philips (No 2); Square drive No 1 (SQ1) |
| Material | Grid plate : PC (polycarbonate) Screw cap : PC (polycarbonate) Infill : ABS (acrylonitrile butadiene-styrene) Locking bar : POM (polyoxymethylene) Skin : ABS (acrylonitrile butadiene-styrene) Window : PC (polycarbonate) |
| Dimensions (HxWxD) mm | 76x116x5 |
| Product weight | 0.051 kg |



Dimensions (mm)



Switch Grids (continued)

P3042VH

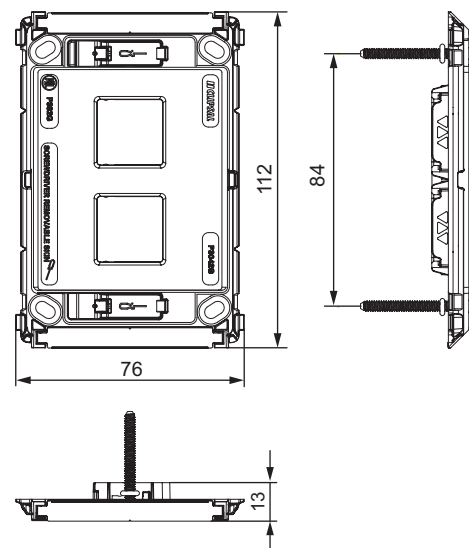
Pro series - 2 gang grid plate and skin with rockers, vertical/horizontal

| Main | |
|---------------------|-----------------------------|
| Range | Clipsal Pro Series |
| Product type | Switch |
| Device presentation | Grid plate and Skin |
| Included equipment | Screws, Grid plate and Skin |
| Mounted method | By screws |
| Type of packing | Polybag |
| Pack Size | Set of 10 |

| Complementary | |
|---------------------------------------|--|
| Colour | White (XW) |
| Surface finish | Gloss |
| Ambient air temperature for operation | 0-45 °C |
| Relative humidity | 10-95 % |
| Screwdriver shape | Philips (No 2); Square drive No 1 (SQ1) |
| Material | Grid plate : PC (polycarbonate) Screw cap : PC (polycarbonate) Infill : ABS (acrylonitrile butadiene-styrene) Locking bar : POM (polyoxymethylene) Skin : ABS (acrylonitrile butadiene-styrene) Window : PC (polycarbonate) |
| Dimensions (HxWxD) mm | 76x116x5 |
| Product weight | 0.051 kg |



Dimensions (mm)



Switch Grids (continued)

P3043VH

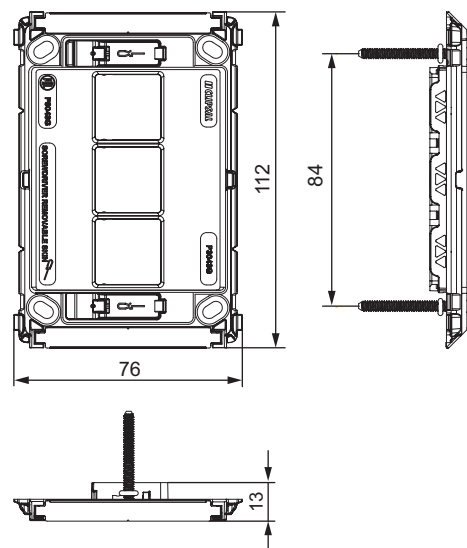
Pro series - 3 gang grid plate and skin with rockers, vertical/horizontal

| Main | |
|---------------------|-----------------------------|
| Range | Clipsal Pro Series |
| Product type | Switch |
| Device presentation | Grid plate and Skin |
| Included equipment | Screws, Grid plate and Skin |
| Mounted method | By screws |
| Type of packing | Polybag |
| Pack Size | Set of 10 |

| Complementary | |
|---------------------------------------|--|
| Colour | White (XW) |
| Surface finish | Gloss |
| Ambient air temperature for operation | 0-45 °C |
| Relative humidity | 10-95 % |
| Screwdriver shape | Philips (No 2); Square drive No 1 (SQ1) |
| Material | Grid plate : PC (polycarbonate) Screw cap : PC (polycarbonate) Infill : ABS (acrylonitrile butadiene-styrene) Locking bar : POM (polyoxymethylene) Skin : ABS (acrylonitrile butadiene-styrene) Window : PC (polycarbonate) |
| Dimensions (HxWxD) mm | 76x116x5 |
| Product weight | 0.094 kg |



Dimensions (mm)



Switch Grids (continued)

P3044VH

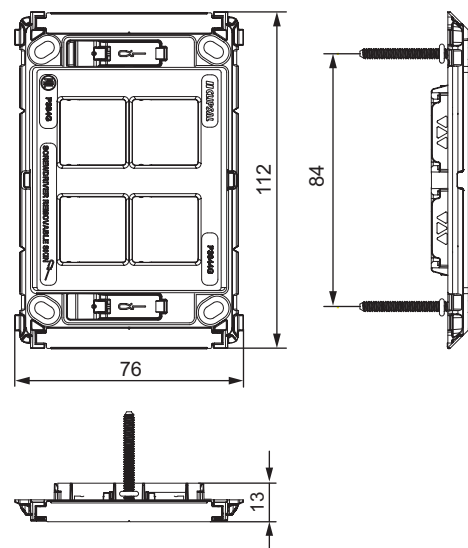
Pro series - 4 gang grid plate and skin with rockers, vertical/horizontal

| Main | |
|---------------------|-----------------------------|
| Range | Clipsal Pro Series |
| Product type | Switch |
| Device presentation | Grid plate and Skin |
| Included equipment | Screws, Grid plate and Skin |
| Mounted method | By screws |
| Type of packing | Polybag |
| Pack Size | Set of 10 |

| Complementary | |
|---------------------------------------|--|
| Colour | White (XW) |
| Surface finish | Gloss |
| Ambient air temperature for operation | 0-45 °C |
| Relative humidity | 10-95 % |
| Screwdriver shape | Philips (No 2); Square drive No 1 (SQ1) |
| Material | Grid plate : PC (polycarbonate) Screw cap : PC (polycarbonate) Infill : ABS (acrylonitrile butadiene-styrene) Locking bar : POM (polyoxymethylene) Skin : ABS (acrylonitrile butadiene-styrene) Window : PC (polycarbonate) |
| Dimensions (HxWxD) mm | 76x116x5 |
| Product weight | 0.094 kg |



Dimensions (mm)



Switch Grids (continued)

P3045VH

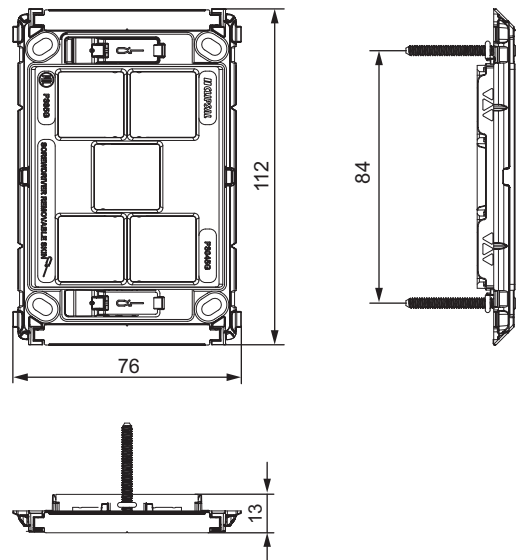
Pro series - 5 gang grid plate and skin with rockers, vertical/horizontal

| Main | |
|---------------------|-----------------------------|
| Range | Clipsal Pro Series |
| Product type | Switch |
| Device presentation | Grid plate and Skin |
| Included equipment | Screws, Grid plate and Skin |
| Mounted method | By screws |
| Type of packing | Polybag |
| Pack Size | Set of 10 |

| Complementary | |
|---------------------------------------|--|
| Colour | White (XW) |
| Surface finish | Gloss |
| Ambient air temperature for operation | 0-45 °C |
| Relative humidity | 10-95 % |
| Screwdriver shape | Philips (No 2); Square drive No 1 (SQ1) |
| Material | Grid plate : PC (polycarbonate) Screw cap : PC (polycarbonate) Infill : ABS (acrylonitrile butadiene-styrene) Locking bar : POM (polyoxymethylene) Skin : ABS (acrylonitrile butadiene-styrene) Window : PC (polycarbonate) |
| Dimensions (HxWxD) mm | 76x116x5 |
| Product weight | 0.094 kg |



Dimensions (mm)



Switch Grids (continued)

P3046VH

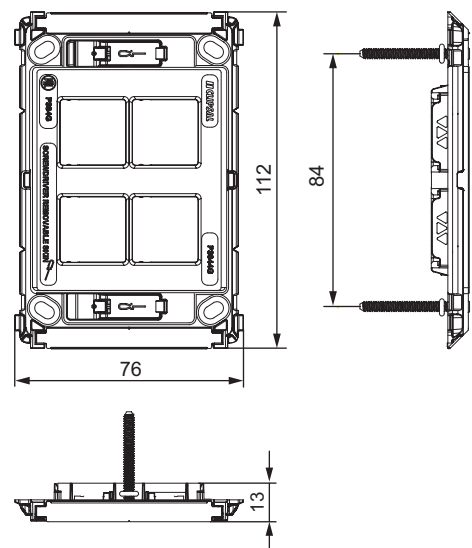
Pro series - 6 gang grid plate and skin with rockers, vertical/horizontal

| Main | |
|---------------------|-----------------------------|
| Range | Clipsal Pro Series |
| Product type | Switch |
| Device presentation | Grid plate and Skin |
| Included equipment | Screws, Grid plate and Skin |
| Mounted method | By screws |
| Type of packing | Polybag |
| Pack Size | Set of 10 |

| Complementary | |
|---------------------------------------|--|
| Colour | White (XW) |
| Surface finish | Gloss |
| Ambient air temperature for operation | 0-45 °C |
| Relative humidity | 10-95 % |
| Screwdriver shape | Philips (No 2); Square drive No 1 (SQ1) |
| Material | Grid plate : PC (polycarbonate) Screw cap : PC (polycarbonate) Infill : ABS (acrylonitrile butadiene-styrene) Locking bar : POM (polyoxymethylene) Skin : ABS (acrylonitrile butadiene-styrene) Window : PC (polycarbonate) |
| Dimensions (HxWxD) mm | 76x116x5 |
| Product weight | 0.094 kg |



Dimensions (mm)



Switch Skins

P3041C

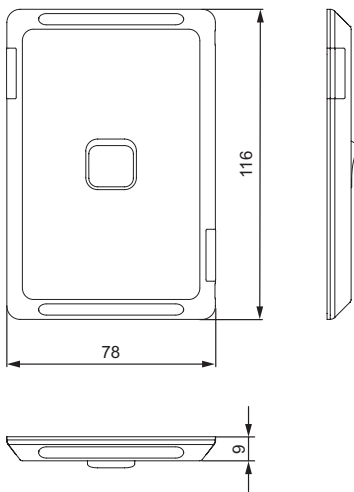
Pro Series - 1 gang skin with rocker

| Main | |
|---------------------|--------------------|
| Range | Clipsal Pro Series |
| Product type | Skin |
| Product destination | Switch |

| Complementary | |
|---------------------------------------|---|
| Device mounting | Flush |
| Number of gangs | 1 gang horizontal/vertical |
| Fixing mode | Clip-on |
| Colour | White (XW), Black (BK) |
| Surface finish | Gloss |
| Type of packing | Polybag |
| Pack Size | Set of 20 |
| Ambient air temperature for operation | 0...45 °C |
| Relative humidity | 10...95 % |
| Material | Skin : ABS (acrylonitrile butadiene-styrene) Window : PC (polycarbonate) |
| Dimensions (HxWxD) mm | 116x78x9 |
| Product weight | 0.019 kg |



Dimensions (mm)



Switch Skins (continued)

P3042C

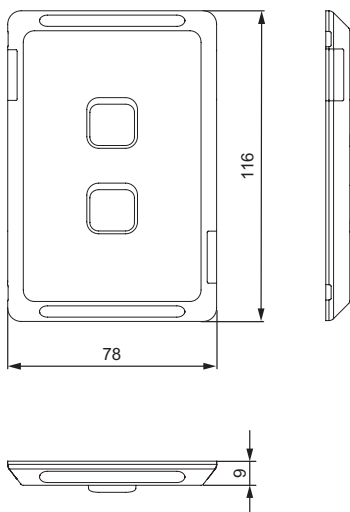
Pro Series - 2 gang skin with rockers

| Main | |
|---------------------|--------------------|
| Range | Clipsal Pro Series |
| Product type | Skin |
| Product destination | Switch |

| Complementary | |
|---------------------------------------|---|
| Device mounting | Flush |
| Number of gangs | 2 gang horizontal/vertical |
| Fixing mode | Clip-on |
| Colour | White (XW), Black (BK) |
| Surface finish | Gloss |
| Type of packing | Polybag |
| Pack Size | Set of 20 |
| Ambient air temperature for operation | 0...45 °C |
| Relative humidity | 10...95 % |
| Material | Skin : ABS (acrylonitrile butadiene-styrene) Window : PC (polycarbonate) |
| Dimensions (HxWxD) mm | 116x78x9 |
| Product weight | 0.02 kg |



Dimensions (mm)



Switch Skins (continued)

P3043C

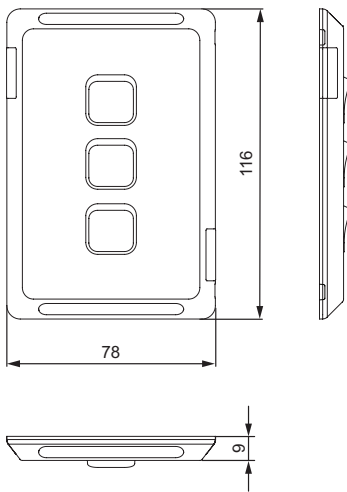
Pro Series - 3 gang skin with rockers

| Main | |
|---------------------|--------------------|
| Range | Clipsal Pro Series |
| Product type | Skin |
| Product destination | Switch |

| Complementary | |
|---------------------------------------|---|
| Device mounting | Flush |
| Number of gangs | 3 gang horizontal/vertical |
| Fixing mode | Clip-on |
| Colour | White (XW), Black (BK) |
| Surface finish | Gloss |
| Type of packing | Polybag |
| Pack Size | Set of 20 |
| Ambient air temperature for operation | 0...45 °C |
| Relative humidity | 10...95 % |
| Material | Skin : ABS (acrylonitrile butadiene-styrene) Window : PC (polycarbonate) |
| Dimensions (HxWxD) mm | 116x78x9 |
| Product weight | 0.021 kg |



Dimensions (mm)



Switch Skins (continued)

P3044C

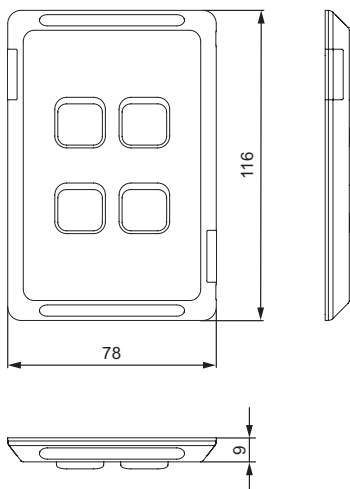
Pro Series - 4 gang skin with rockers

| Main | |
|---------------------|--------------------|
| Range | Clipsal Pro Series |
| Product type | Skin |
| Product destination | Switch |

| Complementary | |
|---------------------------------------|---|
| Device mounting | Flush |
| Number of gangs | 4 gang horizontal/vertical |
| Fixing mode | Clip-on |
| Colour | White (XW), Black (BK) |
| Surface finish | Gloss |
| Type of packing | Polybag |
| Pack Size | Set of 20 |
| Ambient air temperature for operation | 0...45 °C |
| Relative humidity | 10...95 % |
| Material | Skin : ABS (acrylonitrile butadiene-styrene) Window : PC (polycarbonate) |
| Dimensions (HxWxD) mm | 116x78x9 |
| Product weight | 0.022 kg |



Dimensions (mm)



Switch Skins (continued)

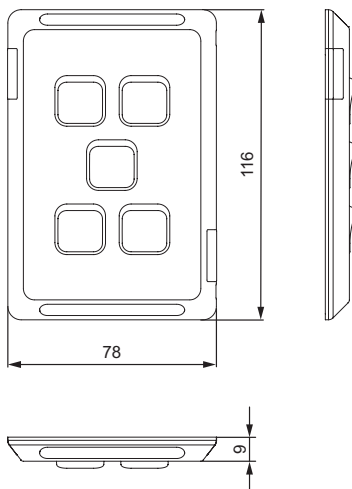
P3045C

Pro Series - 5 gang skin with rockers

| Main | |
|---------------------------------------|---|
| Range | Clipsal Pro Series |
| Product type | Skin |
| Product destination | Switch |
| Complementary | |
| Device mounting | Flush |
| Number of gangs | 5 gang horizontal/vertical |
| Fixing mode | Clip-on |
| Colour | White (XW), Black (BK) |
| Surface finish | Gloss |
| Type of packing | Polybag |
| Pack Size | Set of 20 |
| Ambient air temperature for operation | 0...45 °C |
| Relative humidity | 10...95 % |
| Material | Skin : ABS (acrylonitrile butadiene-styrene) Window : PC (polycarbonate) |
| Dimensions (HxWxD) mm | 116x78x9 |
| Product weight | 0.021 kg |



Dimensions (mm)



Switch Skins (continued)

P3046C

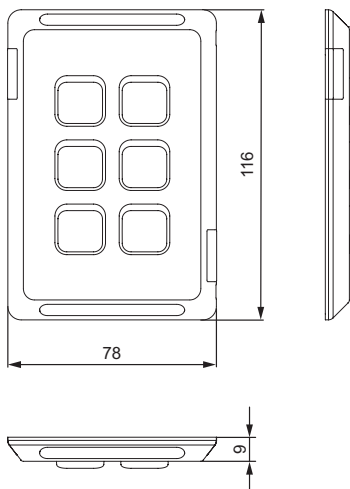
Pro Series - 6 gang skin with rockers

| Main | |
|---------------------|--------------------|
| Range | Clipsal Pro Series |
| Product type | Skin |
| Product destination | Switch |

| Complementary | |
|---------------------------------------|---|
| Device mounting | Flush |
| Number of gangs | 6 gang horizontal/vertical |
| Fixing mode | Clip-on |
| Colour | White (XW), Black (BK) |
| Surface finish | Gloss |
| Type of packing | Polybag |
| Pack Size | Set of 20 |
| Ambient air temperature for operation | 0...45 °C |
| Relative humidity | 10...95 % |
| Material | Skin : ABS (acrylonitrile butadiene-styrene) Window : PC (polycarbonate) |
| Dimensions (HxWxD) mm | 116x78x9 |
| Product weight | 0.022 kg |



Dimensions (mm)



Cooker Switches

P3041-45

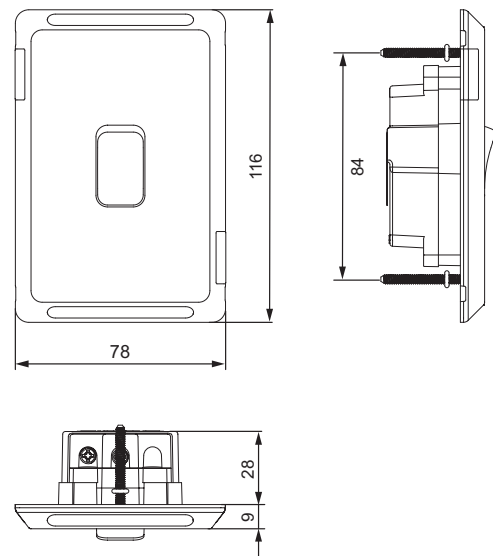
Pro Series - Switch assembly single pole 45 A 250 V

| Main | |
|---------------------|--------------------------------------|
| Range | Clipsal Pro Series |
| Product type | Switch |
| Device presentation | Complete switch |
| Included equipment | Screws, Switch, Grid plate, and Skin |
| Device application | Cooking appliances |
| Mounted method | By screws |
| Colour | White (XW) |
| Type of packing | Polybag |
| Pack Size | Set of 5 |
| Electrical Rating | 45 A - 250 Vac, 50 Hz |



| Complementary | |
|---------------------------------------|--|
| Device mounting | Flush |
| Switch function | 1-way |
| Number of gangs | 1 gang |
| Number of rocker | 1 |
| Actuator | Rocker |
| Surface finish | Gloss |
| Surface treatment | Untreated |
| Ambient air temperature for storage | 0...60 °C |
| Load type | Inductive, Resistive |
| Ambient air temperature for operation | 0...45 °C |
| Relative humidity | 10...95 % |
| Electrical durability | 10,000 operations @ 45A, conforming to AS/NZS 60669 |
| Connections - terminals | 4 x screw terminals |
| Screwdriver shape | Philips (No 2); Square drive No 1 (SQ1) |
| Cable size capacity | 3 x 6 mm ² ; 1 x 16 mm ² |
| Wire stripping length | 10 mm |
| Material | Grid plate : PC (polycarbonate) Screw cap : PC (polycarbonate) Infill : ABS (acrylonitrile butadiene-styrene) Skin : ABS (acrylonitrile butadiene-styrene) Window : PC (polycarbonate) Housing : PA66 (polyamide) |
| Dimensions (HxWxD) mm | 116x78x28 |
| Product weight | 0.05 kg |

Dimensions (mm)



| Environment | |
|------------------------|-----|
| Product certifications | RCM |

Cooker Switches (continued)

P3041D45

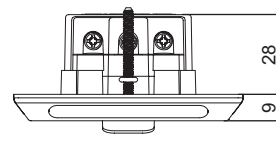
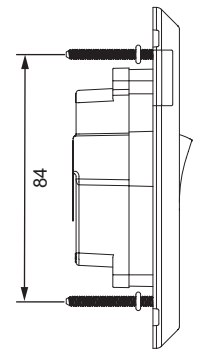
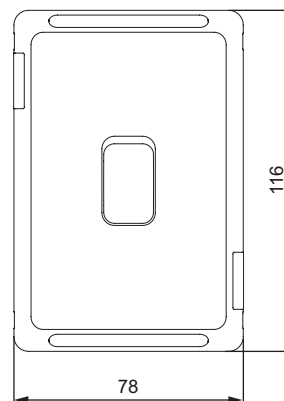
Pro Series - Switch assembly double pole 45 A 250 V

| Main | |
|---------------------|--------------------------------------|
| Range | Clipsal Pro Series |
| Product type | Switch |
| Device presentation | Complete switch |
| Included equipment | Screws, Switch, Grid plate, and Skin |
| Device application | Cooking appliances |
| Mounted method | By screws |
| Colour | White (XW) |
| Type of packing | Polybag |
| Pack Size | Set of 5 |
| Electrical Rating | 45 A - 250 Vac, 50 Hz |



| Complementary | |
|---------------------------------------|--|
| Device mounting | Flush |
| Switch function | 2-pole 1-way |
| Number of gangs | 1 gang |
| Number of rocker | 1 |
| Actuator | Rocker |
| Surface finish | Gloss |
| Surface treatment | Untreated |
| Ambient air temperature for storage | 0...60 °C |
| Load type | Inductive, Resistive |
| Ambient air temperature for operation | 0...45 °C |
| Relative humidity | 10...95 % |
| Electrical durability | 10,000 operations @ 45A, conforming to AS/NZS 60669 |
| Connections - terminals | 6 x screw terminals |
| Screwdriver shape | Philips (No 2); Square drive No 1 (SQ1) |
| Cable size capacity | 3 x 6 mm ² ; 1 x 16 mm ² |
| Wire stripping length | 10 mm |
| Material | Grid plate : PC (polycarbonate) Screw cap : PC (polycarbonate) Infill : ABS (acrylonitrile butadiene-styrene) Skin : ABS (acrylonitrile butadiene-styrene) Window : PC (polycarbonate) Housing : PA66 (polyamide) |
| Dimensions (HxWxD) mm | 116x78x28 |
| Product weight | 0.096 kg |

Dimensions (mm)



| Environment | |
|------------------------|-----|
| Product certifications | RCM |

IP Rated Switches

P3041V44

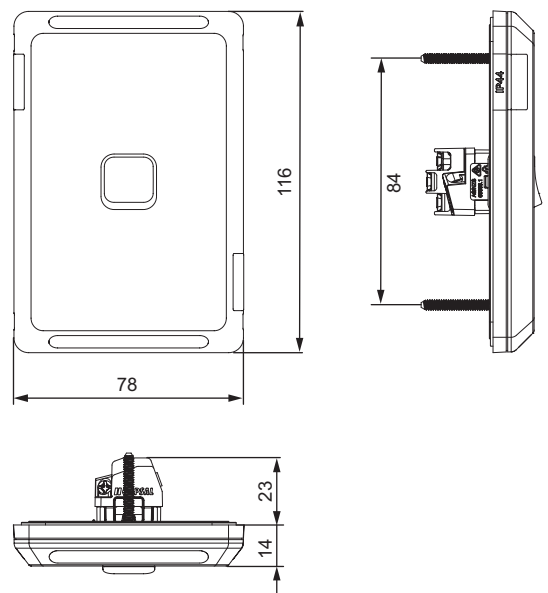
Pro Series - 1 gang vertical wet hands switch assembly IP44
20 A - 16 AX 250 V

| Main | |
|---------------------|--|
| Range | Clipsal Pro Series |
| Product type | Switch |
| Device presentation | Complete switch |
| Included equipment | Screws, Skin, IP44 gridplate, and switch |
| Device application | Lighting |
| Mounted method | By screws |
| Colour | White (XW) |
| Type of packing | Polybag |
| Pack Size | Set of 10 |
| Electrical Rating | 20 A - 16 AX, 250 Vac 50 Hz |



| Complementary | |
|---------------------------------------|--|
| Device mounting | Flush |
| Switch function | 1/2-way |
| Number of gangs | 1 gang |
| Number of rocker | 1 |
| Actuator | Rocker |
| Surface finish | Gloss |
| Surface treatment | Untreated |
| Ambient air temperature for storage | 0...60 °C |
| Load type | Inductive, Light, Fluorescent lamp, and LED |
| Ambient air temperature for operation | 0...45 °C |
| Relative humidity | 10...95 % |
| Electrical durability | 10,000 operations @ 20A, conforming to AS/NZS 60669 |
| Connections - terminals | 4 x screw terminals |
| Screwdriver shape | Philips (No 2); Square drive No 1 (SQ1) |
| Cable size capacity | 4 x 1.5 mm ² ; 3 x 2.5 mm ² |
| Wire stripping length | 10 mm |
| Material | Grid plate : PC (polycarbonate) Screw cap : PC (polycarbonate) Infill : ABS (acrylonitrile butadiene-styrene) Skin : ABS (acrylonitrile butadiene-styrene) Window : PC (polycarbonate) Housing : PC (polycarbonate); PA66 (polyamide) Locking bar : POM (polyoxymethylene) Gasket : TPE (thermoplastic elastomer) Gasket frame : ABS (acrylonitrile butadiene-styrene) |
| Dimensions (HxWxD) mm | 116x78x23 |
| Product weight | 0.105 kg |

Dimensions (mm)



| Environment | |
|-------------------------|------|
| Product certifications | RCM |
| IP degree of protection | IP44 |

IP Rated Switches (continued)

P3042V44

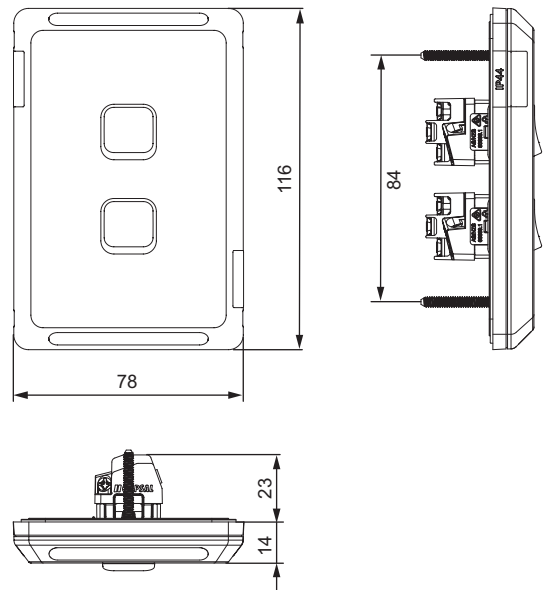
Pro Series - 2 gang vertical wet hands switch assembly IP44
20 A - 16 AX 250 V

| Main | |
|---------------------|--|
| Range | Clipsal Pro Series |
| Product type | Switch |
| Device presentation | Complete switch |
| Included equipment | Screws, Skin, IP44 gridplate, and 2 x switches |
| Device application | Lighting |
| Mounted method | By screws |
| Colour | White (XW) |
| Type of packing | Polybag |
| Pack Size | Set of 10 |
| Electrical Rating | 20 A - 16 AX, 250 Vac 50 Hz |

| Complementary | |
|---------------------------------------|--|
| Device mounting | Flush |
| Switch function | 1/2-way |
| Number of gangs | 2 gang |
| Number of rocker | 2 |
| Actuator | Rocker |
| Surface finish | Gloss |
| Surface treatment | Untreated |
| Ambient air temperature for storage | 0...60 °C |
| Load type | Inductive, Light, Fluorescent lamp, and LED |
| Ambient air temperature for operation | 0...45 °C |
| Relative humidity | 10...95 % |
| Electrical durability | 10,000 operations @ 20A, conforming to AS/NZS 60669 |
| Connections - terminals | 4 x screw terminals |
| Screwdriver shape | Philips (No 2); Square drive No 1 (SQ1) |
| Cable size capacity | 4 x 1.5 mm ² ; 3 x 2.5 mm ² |
| Wire stripping length | 10 mm |
| Material | Grid plate : PC (polycarbonate) Screw cap : PC (polycarbonate) Infill : ABS (acrylonitrile butadiene-styrene) Skin : ABS (acrylonitrile butadiene-styrene) Window : PC (polycarbonate) Housing : PC (polycarbonate); PA66 (polyamide) Locking bar : POM (polyoxymethylene) Gasket : TPE (thermoplastic elastomer) Gasket frame : ABS (acrylonitrile butadiene-styrene) |
| Dimensions (HxWxD) | 116x78x23 |
| Product weight | 0.12 kg |



Dimensions (mm)



| Environment | |
|-------------------------|------|
| Product certifications | RCM |
| IP degree of protection | IP44 |

IP Rated Switches (continued)

P3043V44

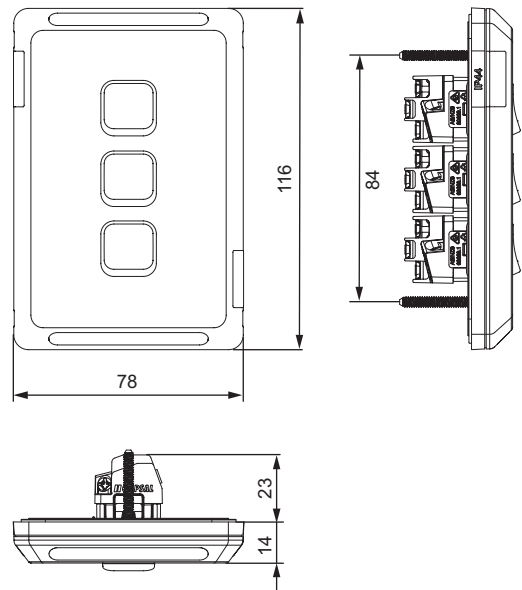
Pro Series - 3 gang vertical wet hands switch assembly IP44
20 A - 16 AX 250 V

| Main | |
|---------------------|--|
| Range | Clipsal Pro Series |
| Product type | Switch |
| Device presentation | Complete switch |
| Included equipment | Screws, Skin, IP44 gridplate, and 3 x switches |
| Device application | Lighting |
| Mounted method | By screws |
| Colour | White (XW) |
| Type of packing | Polybag |
| Pack Size | Set of 10 |
| Electrical Rating | 20 A - 16 AX, 250 Vac 50 Hz |

| Complementary | |
|---------------------------------------|--|
| Device mounting | Flush |
| Switch function | 1/2-way |
| Number of gangs | 3 gang |
| Number of rocker | 3 |
| Actuator | Rocker |
| Surface finish | Gloss |
| Surface treatment | Untreated |
| Ambient air temperature for storage | 0...60 °C |
| Motor M-rating AS3133 | M80 |
| Load type | Inductive, Light, Fluorescent lamp, and LED |
| Ambient air temperature for operation | 0...45 °C |
| Relative humidity | 10...95 % |
| Electrical durability | 10,000 operations @ 20A, conforming to AS/NZS 60669 |
| Connections - terminals | 4 x screw terminals |
| Screwdriver shape | Philips (No 2); Square drive No 1 (SQ1) |
| Cable size capacity | 4 x 1.5 mm ² ; 3 x 2.5 mm ² |
| Wire stripping length | 10 mm |
| Material | Grid plate : PC (polycarbonate) Screw cap : PC (polycarbonate) Infill : ABS (acrylonitrile butadiene-styrene) Skin : ABS (acrylonitrile butadiene-styrene) Window : PC (polycarbonate) Housing : PC (polycarbonate); PA66 (polyamide) Locking bar : POM (polyoxymethylene) Gasket : TPE (thermoplastic elastomer) Gasket frame : ABS (acrylonitrile butadiene-styrene) |
| Dimensions (HxWxD) mm | 116x78x23 |
| Product weight | 0.135 kg |



Dimensions (mm)



| Environment | |
|-------------------------|------|
| Product certifications | RCM |
| IP degree of protection | IP44 |

IP Rated Switches (continued)

P3044V44

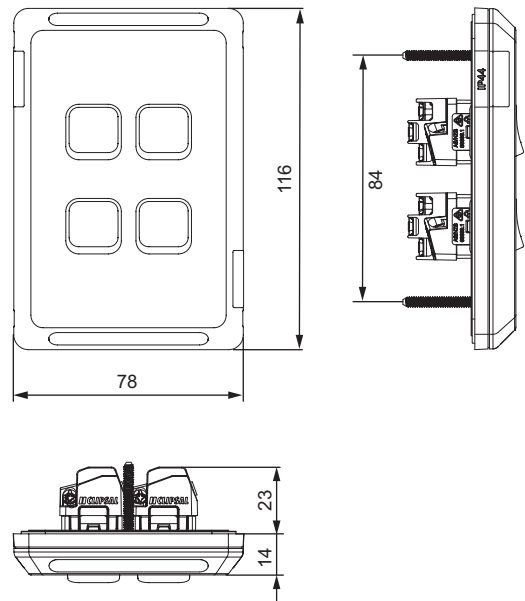
Pro Series - 4 gang vertical wet hands switch assembly IP44
20 A - 16 AX 250 V

| Main | |
|---------------------|--|
| Range | Clipsal Pro Series |
| Product type | Switch |
| Device presentation | Complete switch |
| Included equipment | Screws, Skin, IP44 gridplate, and 4 x switches |
| Device application | Lighting |
| Mounted method | By screws |
| Colour | White (XW) |
| Type of packing | Polybag |
| Pack Size | Set of 10 |
| Electrical Rating | 20 A - 16 AX, 250 Vac 50 Hz |



| Complementary | |
|---------------------------------------|--|
| Device mounting | Flush |
| Switch function | 1/2-way |
| Number of gangs | 4 gang |
| Number of rocker | 4 |
| Actuator | Rocker |
| Surface finish | Gloss |
| Surface treatment | Untreated |
| Ambient air temperature for storage | 0...60 °C |
| Motor M-rating AS3133 | M80 |
| Load type | Inductive, Light, Fluorescent lamp, and LED |
| Ambient air temperature for operation | 0...45 °C |
| Electrical durability | 10,000 operations @ 20A, conforming to AS/NZS 60669 |
| Connections - terminals | 4 x screw terminals |
| Screwdriver shape | Philips (No 2); Square drive No 1 (SQ1) |
| Cable size capacity | 4 x 1.5 mm ² ; 3 x 2.5 mm ² |
| Wire stripping length | 10 mm |
| Material | Grid plate : PC (polycarbonate) Screw cap : PC (polycarbonate) Infill : ABS (acrylonitrile butadiene-styrene) Skin : ABS (acrylonitrile butadiene-styrene) Window : PC (polycarbonate) Housing : PC (polycarbonate); PA66 (polyamide) Locking bar : POM (polyoxymethylene) Gasket : TPE (thermoplastic elastomer) Gasket frame : ABS (acrylonitrile butadiene-styrene) |
| Dimensions (HxWxD) mm | 116x78x23 |
| Product weight | 0.135 kg |

Dimensions (mm)



| Environment | |
|-------------------------|------|
| Product certifications | RCM |
| IP degree of protection | IP44 |

Architrave Switches

P3041A

Pro Series - 1 gang architrave switch assembly 20 A - 16 AX, 250 V

Main

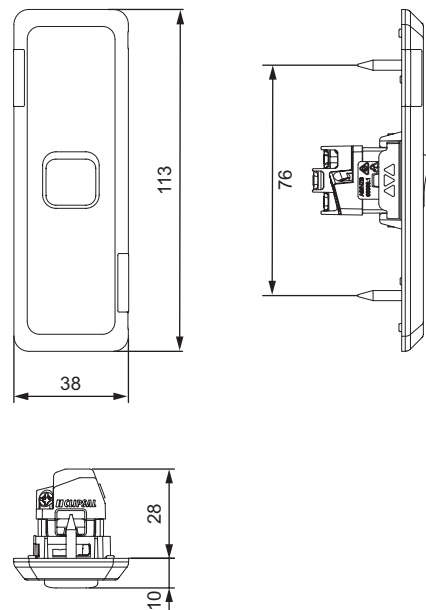
| | |
|---------------------|--------------------------------------|
| Range | Clipsal Pro Series |
| Product type | Switch |
| Device presentation | Complete switch |
| Included equipment | Screws, Switch, Grid plate, and Skin |
| Device application | Lighting |
| Mounted method | By screws |
| Colour | White (XW), Black (BK) |
| Type of packing | Polybag |
| Pack Size | Set of 10 |
| Electrical Rating | 20 A - 16 AX, 250 Vac 50 Hz |



Complementary

| | |
|---------------------------------------|--|
| Device mounting | Flush |
| Switch function | 1/2-way |
| Number of gangs | 1 gang |
| Number of rocker | 1 |
| Actuator | Rocker |
| Surface finish | Gloss |
| Surface treatment | Untreated |
| Ambient air temperature for storage | 0...60 °C |
| Motor M-rating AS3133 | M80 |
| Load type | Inductive, Light, Fluorescent lamp, and LED |
| Ambient air temperature for operation | 0...45 °C |
| Relative humidity | 10...95 % |
| Electrical durability | 20,000 operations @ 10 A, conforming to AS/NZS 60669 |
| Connections - terminals | 4 x screw terminals |
| Screwdriver shape | Philips (No 2); Square drive No 1 (SQ1) |
| Cable size capacity | 4 x 1.5 mm ² ; 3 x 2.5 mm ² |
| Wire stripping length | 10 mm |
| Material | Skin : PC (polycarbonate) Skin : ABS (acrylonitrile butadiene-styrene) Grid plate : PC (polycarbonate) Flaps : PP (polypropylene) Housing : PC (polycarbonate); PA66 (polyamide) Locking bar : POM (polyoxymethylene) |
| Dimensions (HxWxD) mm | 113x38x28 |
| Product weight | 0.046 kg |

Dimensions (mm)



Environment

| | |
|------------------------|-----|
| Product certifications | RCM |
|------------------------|-----|

Architrave Switches (continued)

P3042A

Pro Series - 2 gang architrave switch assembly 20 A - 16 AX, 250 V

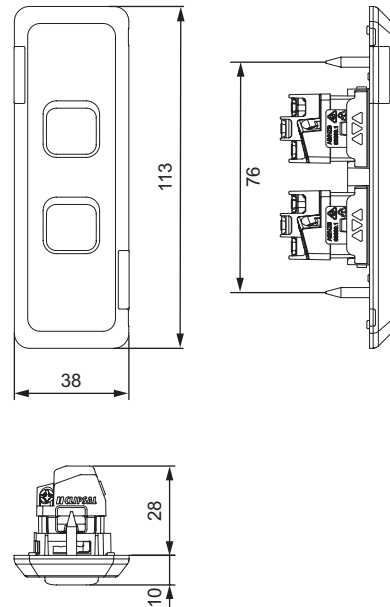
| Main | |
|---------------------|--|
| Range | Clipsal Pro Series |
| Product type | Switch |
| Device presentation | Complete switch |
| Included equipment | Screws, 2 x Switches, Grid plate, and Skin |
| Device application | Lighting |
| Mounted method | By screws |
| Colour | White (XW), Black (BK) |
| Type of packing | Polybag |
| Pack Size | Set of 10 |
| Electrical Rating | 20 A - 16 AX, 250 Vac 50 Hz |

| Complementary | |
|---------------------------------------|--|
| Device mounting | Flush |
| Switch function | 1/2-way |
| Number of gangs | 2 gang |
| Number of rocker | 2 |
| Actuator | Rocker |
| Surface finish | Gloss |
| Surface treatment | Untreated |
| Ambient air temperature for storage | 0...60 °C |
| Motor M-rating AS3133 | M80 |
| Load type | Inductive, Light, Fluorescent lamp, and LED |
| Ambient air temperature for operation | 0...45 °C |
| Relative humidity | 10...95 % |
| Electrical durability | 20,000 operations @ 10 A, conforming to AS/NZS 60669 |
| Connections - terminals | 4 x screw terminals |
| Screwdriver shape | Philips (No 2); Square drive No 1 (SQ1) |
| Cable size capacity | 4 x 1.5 mm ² ; 3 x 2.5 mm ² |
| Wire stripping length | 10 mm |
| Material | Skin : PC (polycarbonate) Skin : ABS (acrylonitrile butadiene-styrene) Grid plate : PC (polycarbonate) Flaps : PP (polypropylene) Housing : PC (polycarbonate); PA66 (polyamide) Locking bar : POM (polyoxymethylene) |
| Dimensions (HxWxD) mm | 113x38x28 |
| Product weight | 0.063 kg |

| Environment | |
|------------------------|-----|
| Product certifications | RCM |



Dimensions (mm)



Sockets

P3015

Pro Series - Single switched socket horizontal 10 A 250 V

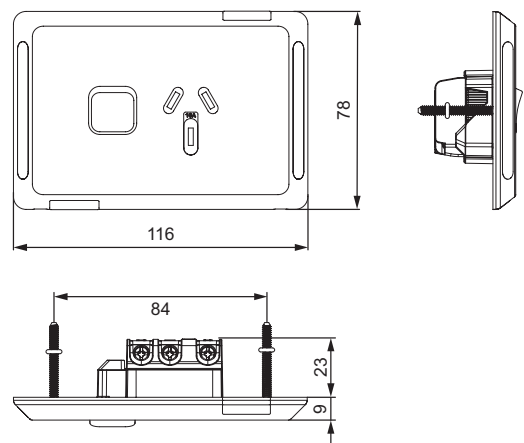
| Main | |
|----------------------------|------------------------------|
| Range | Clipsal Pro Series |
| Product type | Switched socket |
| Device presentation | Complete product |
| Outlet poles configuration | 1P + E with shutter |
| Included equipment | Screws, Grid plate, and Skin |
| Mounted method | By screws (horizontal) |
| Type of packing | Polybag |
| Pack Size | Set of 10 |
| Electrical Rating | 10 A, 250 Vac, 50 Hz |

| Complementary | |
|---------------------------------------|--|
| Number of power socket outlets | 1 |
| Device mounting | Flush |
| Outlet standard description | With earth contact |
| Outlet standard | Australia/New Zealand |
| Colour | White (XW) |
| Surface finish | Gloss |
| Ambient air temperature for operation | 0...45 °C |
| Relative humidity | 10...95 % |
| Electrical durability | 12,000 operating cycles to AS/NZS 3133 |
| Mechanical durability | 20,000 plugging operating cycles |
| Connections - terminals | 3 x screw terminals |
| Screwdriver shape | Philips No 2 (PH2); Square drive No 1 (SQ1) |
| Cable size capacity | 4 x 2.5 mm ² ; 3 x 4.0 mm ² |
| Wire stripping length | 16 mm |
| Material | Grid plate : PC (polycarbonate) Screw cap : PC (polycarbonate) Infill : ABS (acrylonitrile butadiene-styrene) Shutter : POM (polyoxymethylene) Skin : ABS (acrylonitrile butadiene-styrene) Window : PC (polycarbonate) |
| IK degree of protection | IK08 |
| Dimensions (HxWxD) mm | 78x116x23 |
| Product weight | 0.094 kg |
| Standards | AS/NZS 3112 |

| Environment | |
|------------------------|-----|
| Product certifications | RCM |



Dimensions (mm)



Sockets (continued)

P3015-15

Pro Series - Single switched socket horizontal 15 A 250 V

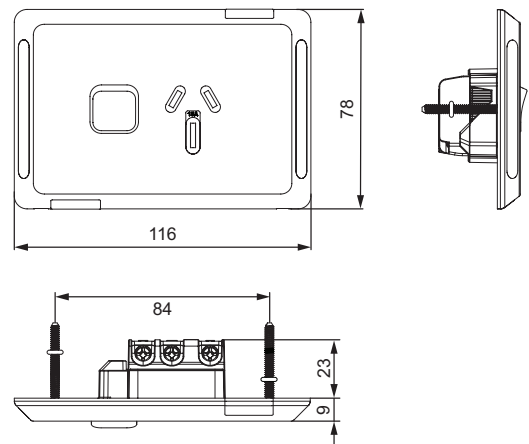
| Main | |
|----------------------------|------------------------------|
| Range | Clipsal Pro Series |
| Product type | Switched socket |
| Device presentation | Complete product |
| Outlet poles configuration | 1P + E with shutter |
| Included equipment | Screws, Grid plate, and Skin |
| Mounted method | By screws (horizontal) |
| Type of packing | Polybag |
| Pack Size | Set of 10 |
| Electrical Rating | 15 A, 250 Vac, 50 Hz |

| Complementary | |
|---------------------------------------|--|
| Number of power socket outlets | 1 |
| Device mounting | Flush |
| Outlet standard description | With earth contact |
| Outlet standard | Australia/New Zealand |
| Colour | White (XW) |
| Surface finish | Gloss |
| Ambient air temperature for operation | 0...45 °C |
| Relative humidity | 10...95 % |
| Electrical durability | 10,000 operating cycles to AS/NZS 3133 |
| Mechanical durability | 20,000 plugging operating cycles |
| Connections - terminals | 3 x screw terminals |
| Screwdriver shape | Philips No 2 (PH2); Square drive No 1 (SQ1) |
| Cable size capacity | 4 x 2.5 mm ² ; 3 x 4.0 mm ² |
| Wire stripping length | 16 mm |
| Material | Grid plate : PC (polycarbonate) Screw cap : PC (polycarbonate) Infill : ABS (acrylonitrile butadiene-styrene) Shutter : POM (polyoxymethylene) Skin : ABS (acrylonitrile butadiene-styrene) Window : PC (polycarbonate) |
| IK degree of protection | IK08 |
| Dimensions (HxWxD) mm | 78x116x23 |
| Product weight | 0.094 kg |
| Standards | AS/NZS 3112 |

| Environment | |
|------------------------|-----|
| Product certifications | RCM |



Dimensions (mm)



Sockets (continued)

P3015-20

Pro Series - Single switched socket horizontal 20 A 250 V

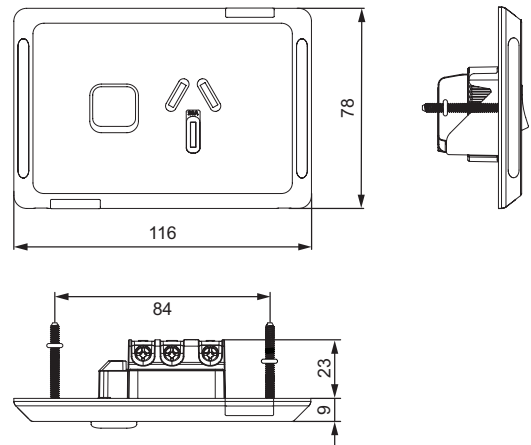
| Main | |
|----------------------------|------------------------------|
| Range | Clipsal Pro Series |
| Product type | Switched socket |
| Device presentation | Complete product |
| Outlet poles configuration | 1P + E with shutter |
| Included equipment | Screws, Grid plate, and Skin |
| Mounted method | By screws (horizontal) |
| Type of packing | Polybag |
| Pack Size | Set of 10 |
| Electrical Rating | 20 A, 250 Vac, 50 Hz |

| Complementary | |
|---------------------------------------|--|
| Number of power socket outlets | 1 |
| Device mounting | Flush |
| Outlet standard description | With earth contact |
| Outlet standard | Australia/New Zealand |
| Colour | White (XW) |
| Surface finish | Gloss |
| Ambient air temperature for operation | 0...45 °C |
| Relative humidity | 10...95 % |
| Electrical durability | 9,000 operating cycles to AS/NZS 3133 |
| Mechanical durability | 20,000 plugging operating cycles |
| Connections - terminals | 3 x screw terminals |
| Screwdriver shape | Philips No 2 (PH2); Square drive No 1 (SQ1) |
| Cable size capacity | 4 x 2.5 mm ² ; 3 x 4.0 mm ² |
| Wire stripping length | 16 mm |
| Material | Grid plate : PC (polycarbonate) Screw cap : PC (polycarbonate) Infill : ABS (acrylonitrile butadiene-styrene) Shutter : POM (polyoxymethylene) Skin : ABS (acrylonitrile butadiene-styrene) Window : PC (polycarbonate) |
| IK degree of protection | IK08 |
| Dimensions (HxWxD) mm | 78x116x23 |
| Product weight | 0.094 kg |
| Standards | AS/NZS 3112 |

| Environment | |
|------------------------|-----|
| Product certifications | RCM |



Dimensions (mm)



Sockets (continued)

P3015XA

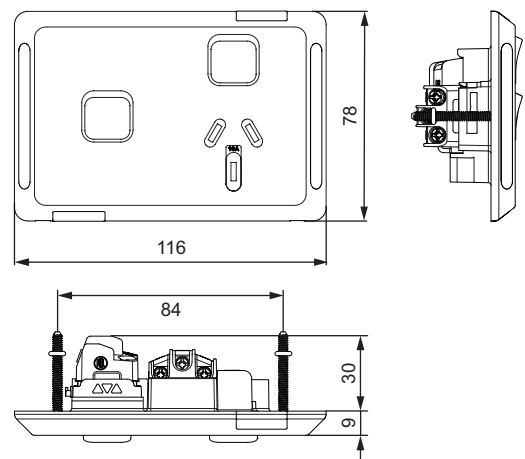
Pro Series - Single switched socket horizontal 10 A 250 V with extra switch

| Main | |
|----------------------------|---------------------|
| Range | Clipsal Pro Series |
| Product type | Switched socket |
| Device presentation | Complete product |
| Outlet poles configuration | 1P + E with shutter |
| Mounted method | By screw |

| Complementary | |
|---------------------------------------|--|
| Number of power socket outlets | 1 |
| Device mounting | Flush |
| Outlet standard description | With earth contact |
| Outlet standard | Australia/New Zealand |
| Switch function | 2-way |
| Mounting mode | Horizontal |
| Colour | White (XW) |
| Surface finish | Gloss |
| Type of packing | Polybag |
| Pack Size | Set of 10 |
| Sale per indivisible quantity | 1 |
| Ambient air temperature for storage | 0...60 °C |
| Rated current | 10 A for socket 20 A - 16 AX for switch |
| [Ue] rated operational voltage | 250 Vac 50 Hz |
| Ambient air temperature for operation | 0...45 °C |
| Relative humidity | 10...95 % |
| Electrical durability | 12,000 operating cycles to AS/NZS 3133 |
| Mechanical durability | 20,000 plugging operating cycles |
| Connections - terminals | Screw terminal |
| Number of terminals | 3 |
| Screwdriver shape | Philips No 2 (PH2); Square drive No 1 (SQ1) |
| Cable size capacity | 4 x 2.5 mm ² ; 3 x 4.0 mm ² |
| Wire stripping length | 16 mm |
| Material | Grid plate : PC (polycarbonate) Screw cap : PC (polycarbonate) Infill : ABS (acrylonitrile butadiene-styrene) Shutter : POM (polyoxymethylene) Skin : ABS (acrylonitrile butadiene-styrene) Window : PC (polycarbonate) |
| Product weight | 0.094 kg |
| Dimensions (HxWxD) mm | 78x116x30 |
| Standards | AS/NZS 3112 |



Dimensions (mm)



| Environment | |
|------------------------|-----|
| Product certifications | RCM |

Sockets (continued)

P3025

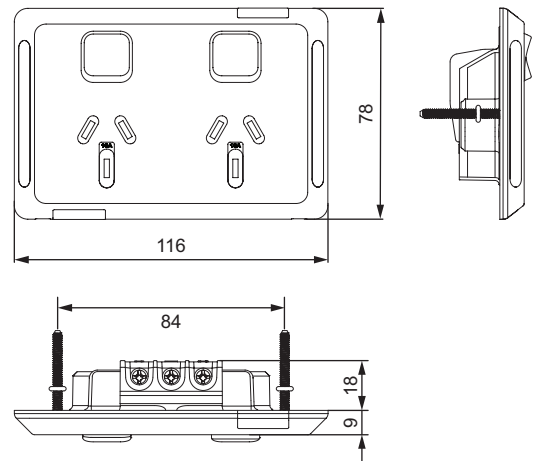
Pro Series - Twin switched socket horizontal 10 A 250 V

| Main | |
|----------------------------|------------------------------|
| Range | Clipsal Pro Series |
| Product type | Switched socket |
| Device presentation | Complete product |
| Outlet poles configuration | 1P + E with shutter |
| Included equipment | Screws, Grid plate, and Skin |
| Mounted method | By screws (horizontal) |
| Type of packing | Polybag |
| Pack Size | Set of 10 |
| Electrical Rating | 10 A, 250 Vac, 50 Hz |



| Complementary | |
|---------------------------------------|--|
| Number of power socket outlets | 2 |
| Device mounting | Flush |
| Outlet standard description | With earth contact |
| Outlet standard | Australia/New Zealand |
| Colour | White (XW) |
| Surface finish | Gloss |
| Ambient air temperature for operation | 0...45 °C |
| Relative humidity | 10...95 % |
| Electrical durability | 12,000 operating cycles to AS/NZS 3133 |
| Mechanical durability | 20,000 plugging operating cycles |
| Connections - terminals | 3 x screw terminals |
| Screwdriver shape | Philips No 2 (PH2); Square drive No 1 (SQ1) |
| Cable size capacity | 4 x 2.5 mm ² ; 3 x 4.0 mm ² |
| Wire stripping length | 16 mm |
| Material | Grid plate : PC (polycarbonate) Screw cap : PC (polycarbonate) Infill : ABS (acrylonitrile butadiene-styrene) Shutter : POM (polyoxymethylene) Skin : ABS (acrylonitrile butadiene-styrene) Window : PC (polycarbonate) |
| IK degree of protection | IK08 |
| Dimensions (HxWxD) mm | 78x116x18 |
| Product weight | 0.104 kg |
| Standards | AS/NZS 3112 |

Dimensions (mm)



| Environment | |
|------------------------|-----|
| Product certifications | RCM |

Sockets (continued)

P3025-15

Pro Series - Twin switched socket horizontal 15 A 250 V

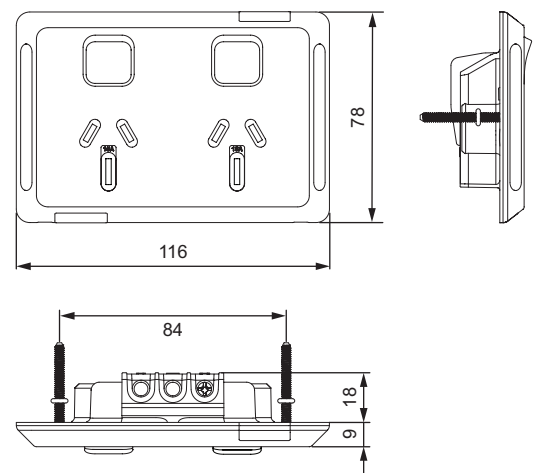
| Main | |
|----------------------------|----------------------|
| Range | Clipsal Pro Series |
| Product type | Switched socket |
| Device presentation | Complete product |
| Outlet poles configuration | 2P + E with shutter |
| Type of packing | Polybag |
| Pack Size | Set of 10 |
| Electrical Rating | 15 A, 250 Vac, 50 Hz |

| Complementary | |
|---------------------------------------|--|
| Number of power socket outlets | 2 |
| Device mounting | Flush |
| Number of rocker | 2 |
| Outlet standard description | With earth contact |
| Outlet standard | Australia/New Zealand |
| Mounted method | By screw |
| Installation direction | Horizontal |
| Colour | White (XW) |
| Surface finish | Gloss |
| Ambient air temperature for operation | 0...45 °C |
| Relative humidity | 10...95 % |
| Electrical durability | 10,000 operating cycles to AS/NZS 3133 |
| Mechanical durability | 20,000 plugging operating cycles |
| Connections - terminals | 3 x screw terminals |
| Screwdriver shape | Philips No 2 (PH2); Square drive No 1 (SQ1) |
| Cable size capacity | 4 x 2.5 mm ² ; 3 x 4.0 mm ² |
| Wire stripping length | 16 mm |
| Material | Grid plate : PC (polycarbonate) Screw cap : PC (polycarbonate) Infill : ABS (acrylonitrile butadiene-styrene) Shutter : POM (polyoxymethylene) Skin : ABS (acrylonitrile butadiene-styrene) Window : PC (polycarbonate) |
| IK degree of protection | IK08 |
| Dimensions (HxWxD) mm | 78x116x18 |
| Product weight | 0.094 kg |
| Standards | AS/NZS 3112 |

| Environment | |
|------------------------|-----|
| Product certifications | RCM |



Dimensions (mm)



Sockets (continued)

P3025XA

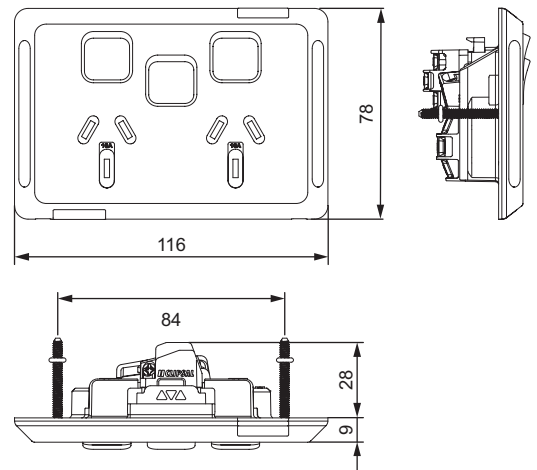
Pro Series - Twin switched socket horizontal 10 A 250 V with extra switch

| Main | |
|----------------------------|------------------------|
| Range | Clipsal Pro Series |
| Product type | Switched socket |
| Device presentation | Complete product |
| Outlet poles configuration | 1P + E with shutter |
| Mounted method | By screws (horizontal) |
| Type of packing | Polybag |
| Pack Size | Set of 10 |



| Complementary | |
|---------------------------------------|--|
| Socket number | 2 |
| Device mounting | Flush |
| Outlet standard description | With earth contact |
| Outlet standard | Australia/New Zealand |
| Switch function | 2-way |
| Colour | White (XW) |
| Surface finish | Gloss |
| Ambient air temperature for storage | 0...60 °C |
| Rated current | 10 A for socket 20 A - 16 AX for switch |
| [Ue] rated operational voltage | 250 Vac 50 Hz |
| Ambient air temperature for operation | 0...45 °C |
| Relative humidity | 10...95 % |
| Electrical durability | 12,000 operating cycles to AS/NZS 3133 |
| Mechanical durability | 20,000 plugging operating cycles |
| Connections - terminals | Screw terminal |
| Number of terminals | 3 |
| Screwdriver shape | Philips No 2 (PH2); Square drive No 1 (SQ1) |
| Cable size capacity | 4 x 2.5 mm ² ; 3 x 4.0 mm ² |
| Wire stripping length | 16 mm |
| Material | Grid plate : PC (polycarbonate) Screw cap : PC (polycarbonate) Infill : ABS (acrylonitrile butadiene-styrene) Shutter : POM (polyoxymethylene) Skin : ABS (acrylonitrile butadiene-styrene) Window : PC (polycarbonate) |
| Dimensions (HxWxD) mm | 78x116x28 |
| Product weight | 0.0116 kg |
| Standards | AS/NZS 3112 |

Dimensions (mm)



| Environment | |
|------------------------|-----|
| Product certifications | RCM |

Sockets (continued)

P3015-4

Pro Series - Quad switched socket horizontal 10 A 250 V

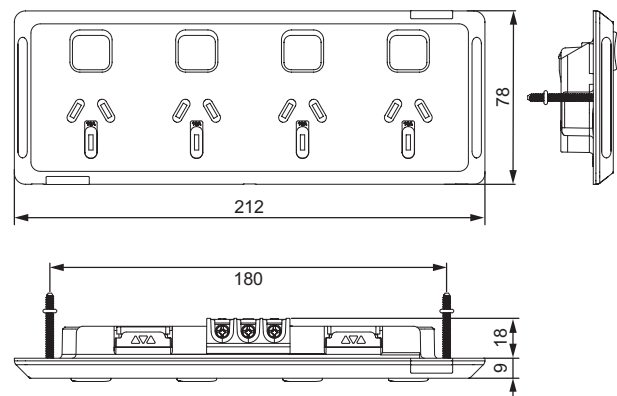
| Main | |
|----------------------------|------------------------------|
| Range | Clipsal Pro Series |
| Product type | Switched socket |
| Device presentation | Complete product |
| Outlet poles configuration | 1P + E with shutter |
| Included equipment | Screws, Grid plate, and Skin |
| Mounted method | By screws (horizontal) |
| Type of packing | Polybag |
| Pack Size | Set of 5 |
| Electrical Rating | 10 A, 250 Vac, 50 Hz |

| Complementary | |
|---------------------------------------|--|
| Number of power socket outlets | 4 |
| Device mounting | Flush |
| Outlet standard description | With earth contact |
| Outlet standard | Australia/New Zealand |
| Colour | White (XW) |
| Surface finish | Gloss |
| Ambient air temperature for operation | 0...45 °C |
| Relative humidity | 10...95 % |
| Electrical durability | 12,000 operating cycles to AS/NZS 3133 |
| Mechanical durability | 20,000 plugging operating cycles |
| Connections - terminals | 3 x screw terminals |
| Screwdriver shape | Philips No 2 (PH2); Square drive No 1 (SQ1) |
| Cable size capacity | 4 x 2.5 mm ² ; 3 x 4.0 mm ² |
| Wire stripping length | 16 mm |
| Material | Grid plate : PC (polycarbonate) Screw cap : PC (polycarbonate) Infill : ABS (acrylonitrile butadiene-styrene) Shutter : POM (polyoxymethylene) Skin : ABS (acrylonitrile butadiene-styrene) Window : PC (polycarbonate) |
| IK degree of protection | IK08 |
| Dimensions (HxWxD) mm | 78x212x18 |
| Product weight | 0.156 kg |
| Standards | AS/NZS 3112 |

| Environment | |
|------------------------|-----|
| Product certifications | RCM |



Dimensions (mm)



Sockets (continued)

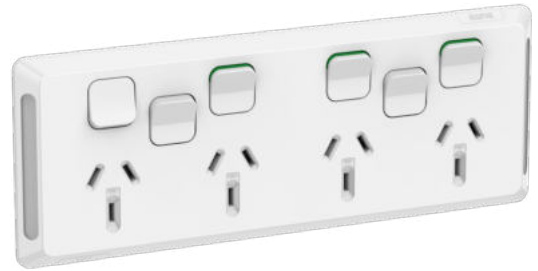
P3015-4XXUA

Pro Series - Quad switched socket horizontal 10 A 250 V with 2 extra switch apertures (less mechanisms)

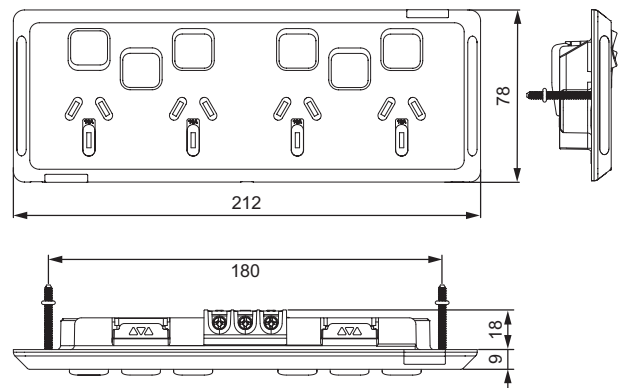
| Main | |
|----------------------------|------------------------------|
| Range | Clipsal Pro Series |
| Product type | Switched socket |
| Device presentation | Complete product |
| Outlet poles configuration | 1P + E with shutter |
| Included equipment | Screws, Grid plate, and Skin |
| Mounted method | By screws (horizontal) |
| Type of packing | Polybag |
| Pack Size | Set of 5 |
| Electrical Rating | 10 A, 250 Vac, 50 Hz |

| Complementary | |
|---------------------------------------|--|
| Number of power socket outlets | 4 |
| Device mounting | Flush |
| Outlet standard description | With earth contact |
| Outlet standard | Australia/New Zealand |
| Colour | White (XW) |
| Surface finish | Gloss |
| Ambient air temperature for operation | 0...45 °C |
| Relative humidity | 10...95 % |
| Electrical durability | 12,000 operating cycles to AS/NZS 3133 |
| Mechanical durability | 20,000 plugging operating cycles |
| Connections - terminals | 3 x screw terminals |
| Screwdriver shape | Philips No 2 (PH2); Square drive No 1 (SQ1) |
| Cable size capacity | 4 x 2.5 mm ² ; 3 x 4.0 mm ² |
| Wire stripping length | 16 mm |
| Material | Grid plate : PC (polycarbonate) Screw cap : PC (polycarbonate) Infill : ABS (acrylonitrile butadiene-styrene) Shutter : POM (polyoxymethylene) Skin : ABS (acrylonitrile butadiene-styrene) Window : PC (polycarbonate) |
| Dimensions (HxWxD) mm | 78x212x18 |
| Product weight | 0.156 kg |
| Standards | AS/NZS 3112 |

| Environment | |
|------------------------|-----|
| Product certifications | RCM |



Dimensions (mm)



Sockets (continued)

P3015V

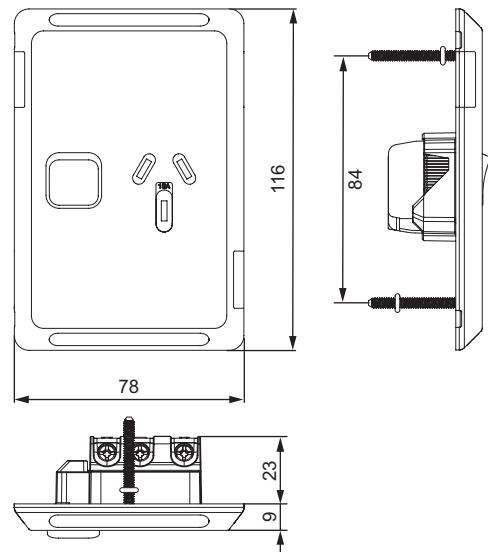
Pro Series - Single switched socket vertical 10 A 250 V

| Main | |
|----------------------------|--------------------------|
| Range | Clipsal Pro Series |
| Product type | Switched socket |
| Device presentation | Complete product |
| Outlet poles configuration | 1P + E with shutter |
| Included equipment | Screws, Grid plate, Skin |
| Mounted method | By screws (vertical) |
| Type of packing | Polybag |
| Pack Size | Set of 10 |
| Electrical Rating | 10 A, 250 Vac, 50 Hz |



| Complementary | |
|---------------------------------------|--|
| Number of power socket outlets | 1 |
| Device mounting | Flush |
| Outlet standard description | With earth contact |
| Outlet standard | Australia/New Zealand |
| Colour | White (XW) |
| Surface finish | Gloss |
| Ambient air temperature for operation | 0...45 °C |
| Relative humidity | 10...95 % |
| Electrical durability | 12,000 operating cycles to AS/NZS 3133 |
| Mechanical durability | 20,000 plugging operating cycles |
| Connections - terminals | 3 x screw terminals |
| Screwdriver shape | Philips No 2 (PH2); Square drive No 1 (SQ1) |
| Cable size capacity | 4 x 2.5 mm ² ; 3 x 4.0 mm ² |
| Wire stripping length | 16 mm |
| Material | Grid plate : PC (polycarbonate) Screw cap : PC (polycarbonate) Infill : ABS (acrylonitrile butadiene-styrene) Shutter : POM (polyoxymethylene) Skin : ABS (acrylonitrile butadiene-styrene) Window : PC (polycarbonate) |
| IK degree of protection | IK08 |
| Dimensions (HxWxD) mm | 116x78x23 |
| Product weight | 0.096 kg |
| Standards | AS/NZS 3112 |

Dimensions (mm)



| Environment | |
|------------------------|-----|
| Product certifications | RCM |

Sockets (continued)

P3015V15

Pro Series - Single switched socket vertical 15 A 250 V

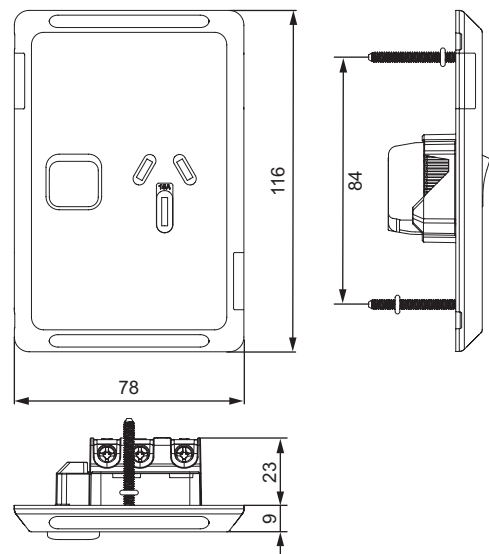
| Main | |
|----------------------------|------------------------------|
| Range | Clipsal Pro Series |
| Product type | Switched socket |
| Device presentation | Complete product |
| Outlet poles configuration | 1P + E with shutter |
| Included equipment | Screws, Grid plate, and Skin |
| Mounted method | By screws (vertical) |
| Type of packing | Polybag |
| Pack size | Set of 10 |
| Electrical rating | 15 A, 250 Vac, 50 Hz |

| Complementary | |
|---------------------------------------|--|
| Number of power socket outlets | 1 |
| Device mounting | Flush |
| Outlet standard description | With earth contact |
| Outlet standard | Australia/New Zealand |
| Colour | White (XW) |
| Surface finish | Gloss |
| Ambient air temperature for operation | 0...45 °C |
| Relative humidity | 10...95 % |
| Electrical durability | 10,000 operating cycles to AS/NZS 3133 |
| Mechanical durability | 20,000 plugging operating cycles |
| Connections - terminals | 3 x screw terminals |
| Screwdriver shape | Philips No 2 (PH2); Square drive No 1 (SQ1) |
| Cable size capacity | 4 x 2.5 mm ² ; 3 x 4.0 mm ² |
| Wire stripping length | 16 mm |
| Material | Grid plate : PC (polycarbonate) Screw cap : PC (polycarbonate) Infill : ABS (acrylonitrile butadiene-styrene) Shutter : POM (polyoxymethylene) Skin : ABS (acrylonitrile butadiene-styrene) Window : PC (polycarbonate) |
| IK degree of protection | IK08 |
| Dimensions (HxWxD) mm | 116x78x23 |
| Product weight | 0.094 kg |
| Standards | AS/NZS 3112 |

| Environment | |
|------------------------|-----|
| Product certifications | RCM |



Dimensions (mm)



Sockets (continued)

P3025V

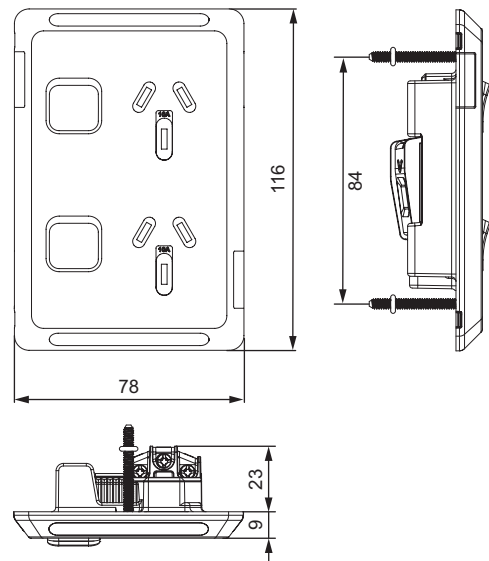
Pro Series - Twin switched socket vertical 10 A 250 V

| Main | |
|----------------------------|--------------------------|
| Range | Clipsal Pro Series |
| Product type | Switched Socket |
| Device presentation | Complete product |
| Outlet poles configuration | 1P + E with shutter |
| Included equipment | Screws, Grid plate, Skin |
| Mounted method | By screws (vertical) |
| Type of packing | Polybag |
| Pack Size | Set of 10 |
| Electrical Rating | 10 A, 250 Vac, 50 Hz |



| Complementary | |
|---------------------------------------|--|
| Number of power socket outlets | 2 |
| Device mounting | Flush |
| Outlet standard description | With earth contact |
| Outlet standard | Australia/New Zealand |
| Colour | White (XW) |
| Surface finish | Gloss |
| Ambient air temperature for operation | 0...45 °C |
| Relative humidity | 10...95 % |
| Electrical durability | 12,000 operating cycles to AS/NZS 3133 |
| Mechanical durability | 20,000 plugging operating cycles |
| Connections - terminals | 3 x screw terminals |
| Screwdriver shape | Philips No 2 (PH2); Square drive No 1 (SQ1) |
| Cable size capacity | 4 x 2.5 mm ² ; 3 x 4.0 mm ² |
| Wire stripping length | 16 mm |
| Material | Grid plate : PC (polycarbonate) Screw cap : PC (polycarbonate) Infill : ABS (acrylonitrile butadiene-styrene) Shutter : POM (polyoxymethylene) Skin : ABS (acrylonitrile butadiene-styrene) Window : PC (polycarbonate) |
| IK degree of protection | IK08 |
| Dimensions (HxWxD) mm | 116x78x23 |
| Product weight | 0.102 kg |
| Standards | AS/NZS 3112 |

Dimensions (mm)



| Environment | |
|------------------------|-----|
| Product certifications | RCM |

Sockets (continued)

P3025VXA

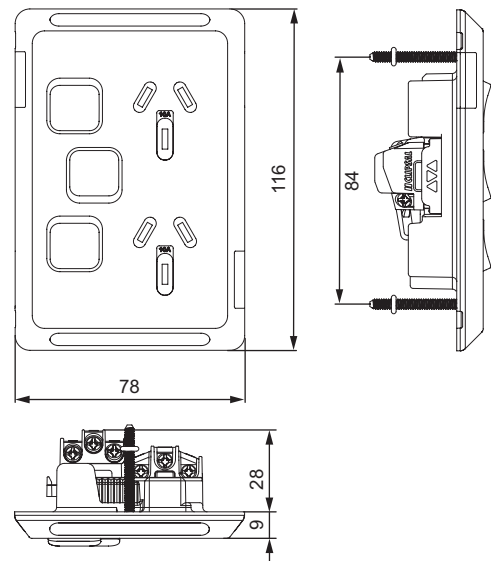
Pro Series - Twin switched socket vertical 10 A 250 V with extra switch

| Main | |
|----------------------------|----------------------|
| Range | Clipsal Pro Series |
| Product or component type | Switched socket |
| Device presentation | Complete product |
| Outlet poles configuration | 1P + E with shutter |
| Mounted method | By screws (vertical) |
| Type of packing | Polybag |
| Pack Size | Set of 10 |

| Complementary | |
|---------------------------------------|--|
| Socket number | 2 |
| Device mounting | Flush |
| Outlet standard description | With earth contact |
| Outlet standard | Australia/New Zealand |
| Switch function | 2-way |
| Colour | White (XW) |
| Surface finish | Gloss |
| Ambient air temperature for storage | 0...60 °C |
| Rated current | 10 A for socket 16 AX for switch |
| [Ue] rated operational voltage | 250 Vac 50 Hz |
| Ambient air temperature for operation | 0...45 °C |
| Relative humidity | 10...95 % |
| Service life in cycles | 12000 cycles |
| Electrical durability | 12,000 operating cycles to AS/NZS 3133 |
| Mechanical durability | 20,000 plugging operating cycles |
| Connections - terminals | Screw terminal |
| Number of terminals | 3 |
| Screwdriver shape | Philips No 2 (PH2); Square drive No 1 (SQ1) |
| Cable size capacity | 4 x 2.5 mm ² ; 3 x 4.0 mm ² |
| Wire stripping length | 16 mm |
| Material | Grid plate : PC (polycarbonate) Screw cap : PC (polycarbonate) Infill : ABS (acrylonitrile butadiene-styrene) Shutter : POM (polyoxymethylene) Skin : ABS (acrylonitrile butadiene-styrene) Window : PC (polycarbonate) |
| Dimensions (HxWxD) mm | 116x78x28 |
| Product weight | 0.094 kg |
| Standards | AS/NZS 3112 |



Dimensions (mm)



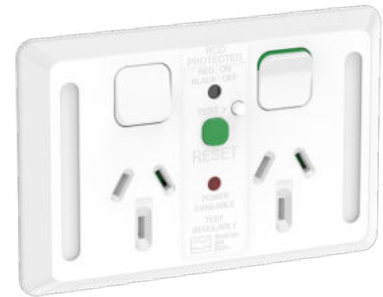
| Environment | |
|------------------------|-----|
| Product certifications | RCM |

Sockets (continued)

P3025RCD30

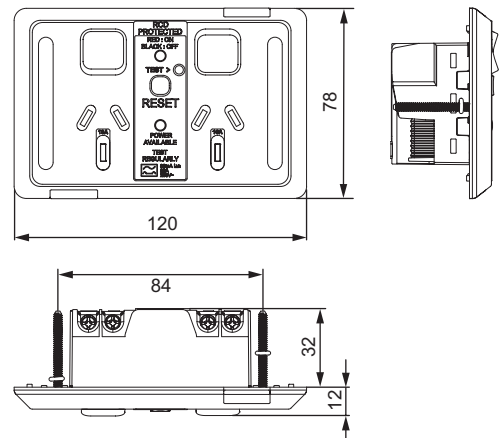
Pro Series - Twin switched socket horizontal 10 A 250 V, 30 mA RCD

| Main | |
|----------------------------|-------------------------------------|
| Range | Clipsal Pro Series |
| Product type | Switched socket |
| Device presentation | Grid plate with skin |
| Device composition | Residual current device (RCD) 30 mA |
| Outlet poles configuration | 2P + E with shutter |
| Mounted method | By screws |
| Type of packing | Polybag |
| Pack size | Set of 5 |



| Complementary | |
|---------------------------------------|--|
| Rated current | 10 A, 250 Vac, 50 Hz |
| Colour | White (XW) |
| Surface finish | Gloss |
| Outlet Standard | Australia/New-Zealand |
| Ambient air temperature for operation | 0...45 °C |
| Relative humidity | 10...95 % |
| Cable size capacity | 4 x 2.5 mm ² ; 3 x 4.0 mm ² |
| Material | Grid plate : PC (polycarbonate) Screw cap : PC (polycarbonate) Infill : ABS (acrylonitrile butadiene-styrene) Shutter : POM (polyoxymethylene) Skin : ABS (acrylonitrile butadiene-styrene) Window : PC (polycarbonate) |
| Dimensions (HxWxD) mm | 78x120x32 |
| Product weight | 0.156 kg |
| Standards | AS/NZS 3112 |

Dimensions (mm)



| Environment | |
|------------------------|-----|
| Product certifications | RCM |

Sockets (continued)

P3025RCD10

Pro Series - Socket Sw Horizontal twin 10 A, 250 V, 10 mA RCD

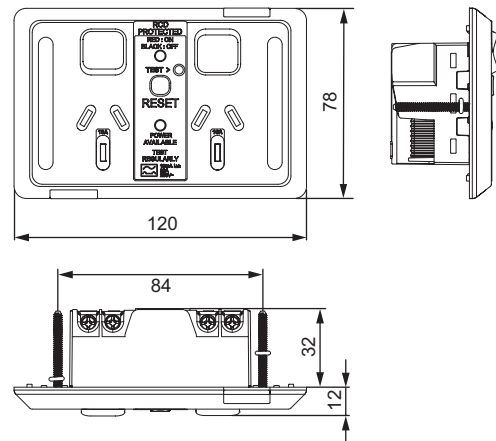
| Main | |
|----------------------------|----------------------|
| Range | Clipsal Pro Series |
| Product type | Switched socket |
| Device presentation | Grid plate with skin |
| Outlet poles configuration | 2P + E with shutter |
| Device mounting | By screws |
| Type of packing | Polybag |
| Pack Size | Set of 5 |

| Complementary | |
|---------------------------------------|--|
| Rated current | 10 A, 250 Vac, 50 Hz |
| Outlet standard description | With earth contact |
| Outlet standard | Australia/New Zealand |
| Colour | White (XW) |
| Surface finish | Gloss |
| Ambient air temperature for operation | 0...45 °C |
| Relative humidity | 10...95 % |
| Material | Grid plate : PC (polycarbonate) Screw cap : PC (polycarbonate) Infill : ABS (acrylonitrile butadiene-styrene) Shutter : POM (polyoxymethylene) Skin : ABS (acrylonitrile butadiene-styrene) Window : PC (polycarbonate) |
| Dimensions (HxWxD) mm | 78x120x32 |
| Product weight | 0.157 kg |
| Standards | AS/NZS 3112 |

| Environment | |
|------------------------|-----|
| Product certifications | RCM |



Dimensions (mm)



Sockets (continued)

P3025USB2

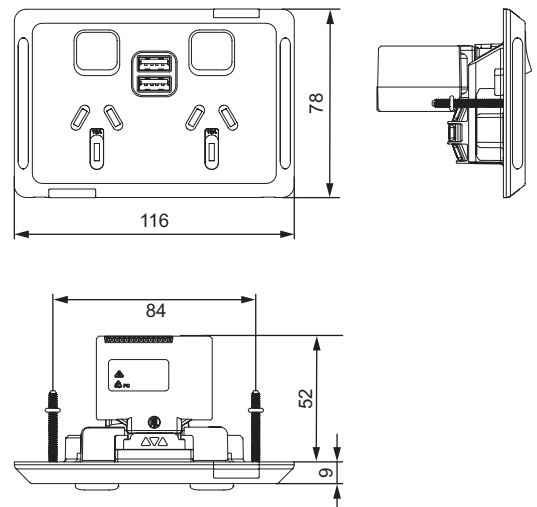
Pro Series - Twin switched socket 10 A 250 V with twin 2.1 A USB charger module

| Main | |
|----------------------------|----------------------|
| Range | Clipsal Pro Series |
| Product type | USB charger + socket |
| Device presentation | Complete product |
| Outlet poles configuration | 1P + E with shutter |
| Mounted method | By screw |
| Type of packing | Polybag |
| Pack Size | Set of 10 |

| Complementary | |
|---------------------------------------|--|
| Socket number | 2 |
| Device mounting | Flush |
| Provided equipment | USB charger |
| Outlet standard description | With earth contact |
| Outlet standard | Australia/New Zealand |
| Mounting mode | Horizontal |
| Colour | White (XW) |
| Surface finish | Gloss |
| Ambient air temperature for storage | 0...60 °C |
| Rated current | 10 A for socket |
| [Ue] rated operational voltage | 250 Vac 50 Hz |
| Ambient air temperature for operation | 0...45 °C |
| Relative humidity | 10...95 % |
| Electrical durability | 12,000 operating cycles to AS/NZS 3133 |
| Mechanical durability | 20,000 plugging operating cycles |
| Connections - terminals | Screw terminal |
| Number of terminals | 3 |
| Screwdriver shape | Philips No 2 (PH2); Square drive No 1 (SQ1) |
| Cable size capacity | 4 x 2.5 mm ² ; 3 x 4.0 mm ² |
| Wire stripping length | 16 mm |
| Material | Grid plate : PC (polycarbonate) Screw cap : PC (polycarbonate) Infill : ABS (acrylonitrile butadiene-styrene) Shutter : POM (polyoxymethylene) Skin : ABS (acrylonitrile butadiene-styrene) Window : PC (polycarbonate) |
| Dimensions (HxWxD) mm | 78x116x52 |
| Product weight | 0.155 kg |
| Standards | AS/NZS 3112 |



Dimensions (mm)



| Environment | |
|------------------------|-----|
| Product certifications | RCM |

Sockets (continued)

P3025USBAC

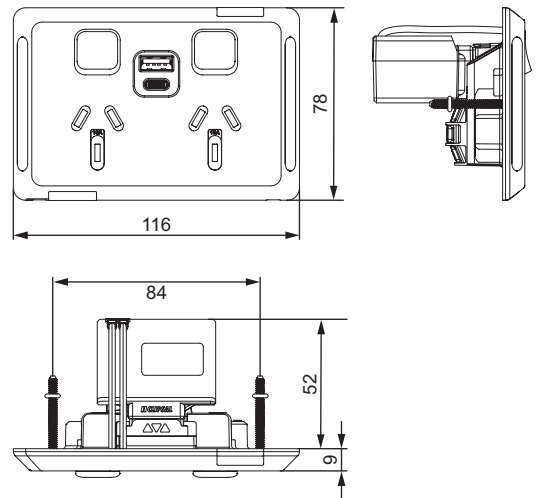
Pro Series - Twin switched socket 10 A 250 V with USB Type A (2.4 A) + Type C (3.0 A) charger module

| Main | |
|----------------------------|----------------------|
| Range | Clipsal Pro Series |
| Product type | USB charger + socket |
| Device presentation | Complete product |
| Outlet poles configuration | 1P + E with shutter |
| Mounted method | By screw |
| Type of packing | Polybag |
| Pack Size | Set of 10 |

| Complementary | |
|---------------------------------------|--|
| Socket number | 2 |
| Device mounting | Flush |
| Provided equipment | USB charger |
| Outlet standard description | With earth contact |
| Outlet standard | Australia/New Zealand |
| Mounting mode | Horizontal |
| Colour | White (XW) |
| Surface finish | Gloss |
| Ambient air temperature for storage | 0...60 °C |
| Rated current | 10 A for socket |
| [Ue] rated operational voltage | 250 Vac 50 Hz |
| Ambient air temperature for operation | 0...45 °C |
| Relative humidity | 10...95 % |
| Electrical durability | 12,000 operating cycles to AS/NZS 3133 |
| Mechanical durability | 20,000 plugging operating cycles |
| Connections - terminals | Screw terminal |
| Number of terminals | 3 |
| Screwdriver shape | Philips No 2 (PH2); Square drive No 1 (SQ1) |
| Cable size capacity | 4 x 2.5 mm ² ; 3 x 4.0 mm ² |
| Wire stripping length | 16 mm |
| Material | Grid plate : PC (polycarbonate) Screw cap : PC (polycarbonate) Infill : ABS (acrylonitrile butadiene-styrene) Shutter : POM (polyoxymethylene) Skin : ABS (acrylonitrile butadiene-styrene) Window : PC (polycarbonate) |
| Dimensions (HxWxD) mm | 78x116x52 |
| Product weight | 0.171 kg |
| Standards | AS/NZS 3112 |



Dimensions (mm)



| Environment | |
|------------------------|-----|
| Product certifications | RCM |

Sockets (continued)

P3043HUSB

Pro Series - USB Charging station 3 gang 2.1 A per port, 4.5 A total 250 V

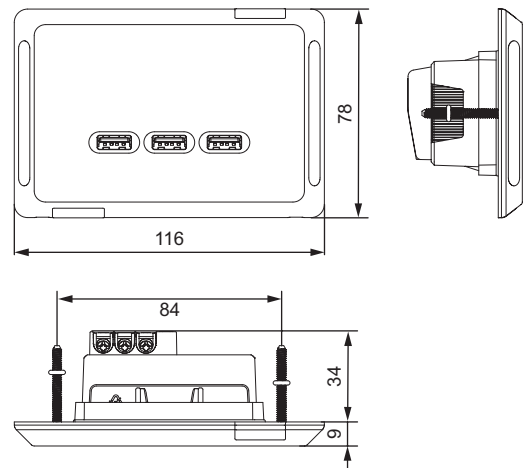
| Main | |
|--------------------------------|---|
| Range | Clipsal Pro Series |
| Product type | USB charger |
| [Ue] rated operational voltage | 220/240 Vac 50 Hz |
| Integrated connection type | 3 x USB 2.0 port 5 Vdc, Maximum load current: 2.1 A |
| Output current | 4.5 A |

| Complementary | |
|---------------------------------------|---|
| Device mounting | Flush |
| Device presentation | Assembly |
| Colour | White |
| Surface finish | Gloss |
| Mounted method | By screws |
| Type of packing | Polybag |
| Ambient air temperature for operation | 0...40 °C |
| Ambient air temperature for storage | -5...50 °C |
| Relative humidity | 15...95 % |
| Protection type | Short time short-circuit protection |
| Number of terminals | 3 screw terminal |
| Screwdriver shape | Philips No 2 (PH2); Square drive No 1 (SQ1) |
| Cable size capacity | 4 x 2.5 mm ² |
| Wire stripping length | 16 mm |
| Dimensions (HxWxD) mm | 78x116x34 |
| Product weight | 0.099 kg |

| Environment | |
|-----------------------------|----------|
| Product certifications | RCM |
| Electrical insulation class | Class II |
| IP degree of protection | IP21 |



Dimensions (mm)



Sockets (continued)

P3025L

Pro Series - Twin switched socket horizontal round earth pin
10 A 250 V

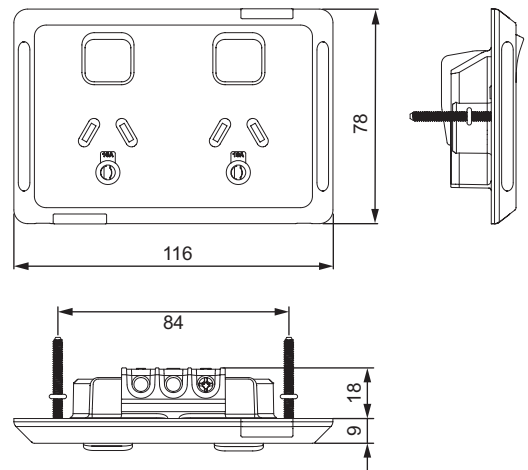
| Main | |
|----------------------------|------------------------------|
| Range | Clipsal Pro Series |
| Product type | Switched socket |
| Device presentation | Complete product |
| Outlet poles configuration | 1P + E with shutter |
| Included equipment | Screws, Grid plate, and Skin |
| Mounted method | By screws (horizontal) |
| Type of packing | Polybag |
| Pack Size | Set of 10 |
| Electrical Rating | 10 A, 250 Vac, 50 Hz |

| Complementary | |
|---------------------------------------|--|
| Number of power socket outlets | 2 |
| Device mounting | Flush |
| Outlet standard description | With earth contact |
| Outlet standard | Australia/New Zealand |
| Colour | White (XW) |
| Surface finish | Gloss |
| Ambient air temperature for operation | 0...40 °C |
| Relative humidity | 10...95 % |
| Electrical durability | 12,000 operating cycles to AS/NZS 3133 |
| Mechanical durability | 20,000 plugging operating cycles |
| Connections - terminals | 3 x screw terminals |
| Screwdriver shape | Philips No 2 (PH2); Square drive No 1 (SQ1) |
| Cable size capacity | 4 x 2.5 mm ² ; 3 x 4.0 mm ² |
| Wire stripping length | 16 mm |
| Material | Grid plate : PC (polycarbonate) Screw cap : PC (polycarbonate) Infill : ABS (acrylonitrile butadiene-styrene) Shutter : POM (polyoxymethylene) Skin : ABS (acrylonitrile butadiene-styrene) Window : PC (polycarbonate) |
| IK degree of protection | IK08 |
| Dimensions (HxWxD) mm | 78x116x18 |
| Product weight | 0.105 kg |
| Standards | AS/NZS 3112 |

| Environment | |
|------------------------|-----|
| Product certifications | RCM |



Dimensions (mm)



Sockets (continued)

P3015D

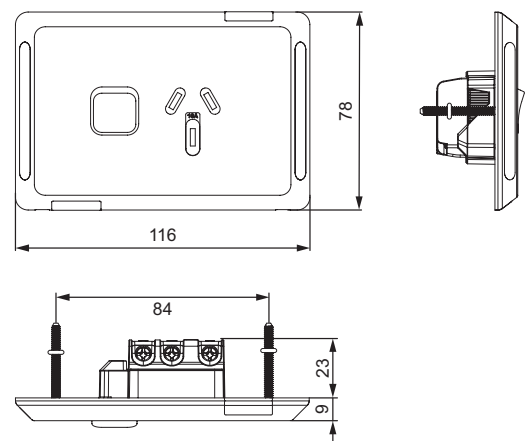
Pro Series – Single switched socket horizontal 10 A 250 V double pole

| Main | |
|----------------------------|------------------------------|
| Range | Clipsal Pro Series |
| Product type | Switched socket |
| Device presentation | Complete product |
| Outlet poles configuration | 2P + E with shutter |
| Included equipment | Screws, Grid plate, and Skin |
| Mounted method | By screws (horizontal) |
| Type of packing | Polybag |
| Pack size | Set of 10 |
| Electrical rating | 10 A, 250 Vac, 50 Hz |



| Complementary | |
|---------------------------------------|--|
| Number of power socket outlets | 1 |
| Device mounting | Flush |
| Outlet standard description | With earth contact |
| Outlet standard | Australia/New Zealand |
| Colour | White (XW) |
| Surface finish | Gloss |
| Ambient air temperature for operation | 0...45 °C |
| Relative humidity | 10...95 % |
| Electrical durability | 12,000 operating cycles to AS/NZS 3133 |
| Mechanical durability | 20,000 plugging operating cycles |
| Connections - terminals | 3 x screw terminals |
| Screwdriver shape | Philips No 2 (PH2); Square drive No 1 (SQ1) |
| Cable size capacity | 4 x 2.5 mm ² ; 3 x 4.0 mm ² |
| Wire stripping length | 16 mm |
| Material | Grid plate : PC (polycarbonate) Screw cap : PC (polycarbonate) Infill : ABS (acrylonitrile butadiene-styrene) Shutter : POM (polyoxymethylene) Skin : ABS (acrylonitrile butadiene-styrene) Window : PC (polycarbonate) |
| Dimensions (HxWxD) mm | 78x116x23 |
| Product weight | 0.098 kg |
| Standards | AS/NZS 3112 |

Dimensions (mm)



| Environment | |
|------------------------|-----|
| Product certifications | RCM |

Sockets (continued)

P3015D15

Pro Series - Single switched socket horizontal 15 A 250 V double pole

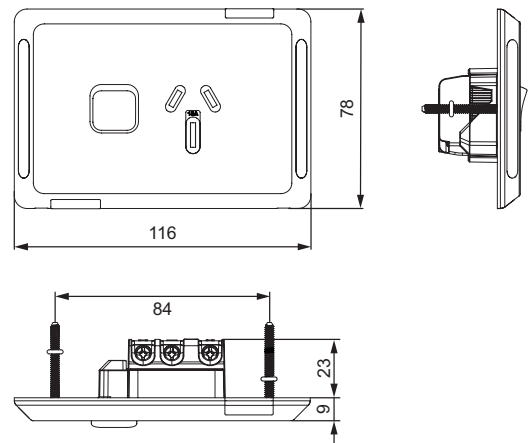
| Main | |
|----------------------------|------------------------------|
| Range | Clipsal Pro Series |
| Product type | Switched socket |
| Device presentation | Complete product |
| Outlet poles configuration | 2P + E with shutter |
| Included equipment | Screws, Grid plate, and Skin |
| Mounted method | By screws (horizontal) |
| Type of packing | Polybag |
| Pack size | Set of 10 |
| Electrical rating | 15 A, 250 Vac, 50 Hz |

| Complementary | |
|---------------------------------------|--|
| Number of power socket outlets | 1 |
| Device mounting | Flush |
| Outlet standard description | With earth contact |
| Outlet standard | Australia/New Zealand |
| Colour | White (XW) |
| Surface finish | Gloss |
| Ambient air temperature for operation | 0...45 °C |
| Relative humidity | 10...95 % |
| Electrical durability | 10,000 operating cycles to AS/NZS 3133 |
| Mechanical durability | 20,000 plugging operating cycles |
| Connections - terminals | 3 x screw terminals |
| Screwdriver shape | Philips No 2 (PH2); Square drive No 1 (SQ1) |
| Cable size capacity | 4 x 2.5 mm ² ; 3 x 4.0 mm ² |
| Wire stripping length | 16 mm |
| Material | Grid plate : PC (polycarbonate) Screw cap : PC (polycarbonate) Infill : ABS (acrylonitrile butadiene-styrene) Shutter : POM (polyoxymethylene) Skin : ABS (acrylonitrile butadiene-styrene) Window : PC (polycarbonate) |
| Dimensions (HxWxD) mm | 78x116x23 |
| Product weight | 0.098 kg |
| Standards | AS/NZS 3112 |

| Environment | |
|------------------------|-----|
| Product certifications | RCM |



Dimensions (mm)



Sockets (continued)

P3025D

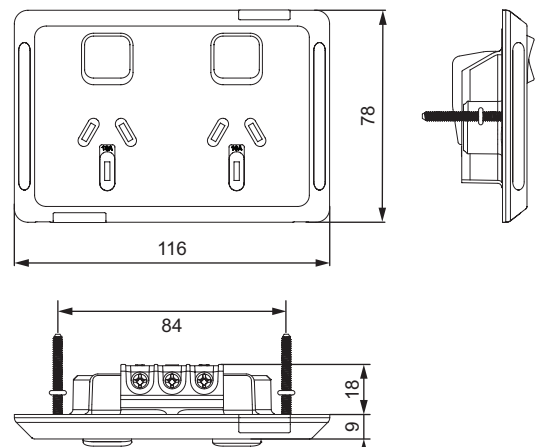
Pro Series - Twin switched socket horizontal 10 A 250 V double pole

| Main | |
|----------------------------|------------------------------|
| Range | Clipsal Pro Series |
| Product type | Switched socket |
| Device presentation | Complete product |
| Outlet poles configuration | 2P + E with shutter |
| Included equipment | Screws, Grid plate, and Skin |
| Mounted method | By screws (horizontal) |
| Type of packing | Polybag |
| Pack size | Set of 10 |
| Electrical rating | 10 A, 250 Vac, 50 Hz |



| Complementary | |
|---------------------------------------|--|
| Number of power socket outlets | 2 |
| Device mounting | Flush |
| Outlet standard description | With earth contact |
| Outlet standard | Australia/New Zealand |
| Colour | White (XW) |
| Surface finish | Gloss |
| Ambient air temperature for operation | 0...45 °C |
| Relative humidity | 10...95 % |
| Electrical durability | 12,000 operating cycles to AS/NZS 3133 |
| Mechanical durability | 20,000 plugging operating cycles |
| Connections - terminals | 3 x screw terminals |
| Screwdriver shape | Philips No 2 (PH2); Square drive No 1 (SQ1) |
| Cable size capacity | 4 x 2.5 mm ² ; 3 x 4.0 mm ² |
| Wire stripping length | 16 mm |
| Material | Grid plate : PC (polycarbonate) Screw cap : PC (polycarbonate) Infill : ABS (acrylonitrile butadiene-styrene) Shutter : POM (polyoxymethylene) Skin : ABS (acrylonitrile butadiene-styrene) Window : PC (polycarbonate) |
| Dimensions (HxWxD) mm | 78x116x18 |
| Product weight | 0.098 kg |
| Standards | AS/NZS 3112 |

Dimensions (mm)



| Environment | |
|------------------------|-----|
| Product certifications | RCM |

Sockets (continued)

P3025PID

Pro Series - Twin switched socket horizontal 10 A 250 V with power indicator

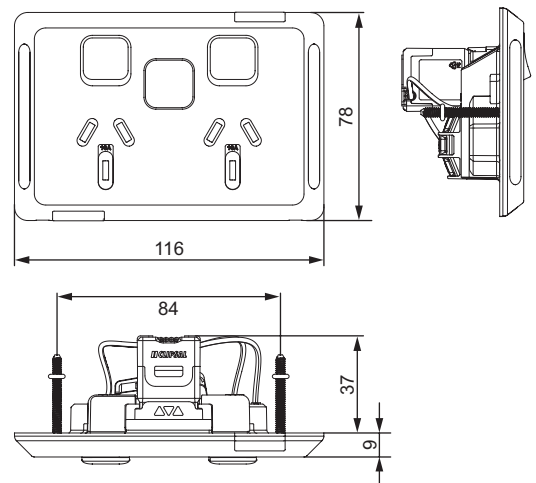
| Main | |
|----------------------------|------------------------------|
| Range | Clipsal Pro Series |
| Product type | Switched socket |
| Device presentation | Complete product |
| Outlet poles configuration | 1P + E with shutter |
| Included equipment | Screws, Grid plate, and Skin |
| Mounted method | By screws (horizontal) |
| Type of packing | Polybag |
| Pack size | Set of 5 |
| Electrical rating | 10 A, 250 Vac, 50 Hz |

| Complementary | |
|---------------------------------------|--|
| Number of power socket outlets | 2 |
| Device mounting | Flush |
| Outlet standard description | With earth contact |
| Outlet standard | Australia/New Zealand |
| Colour | White (XW) |
| Surface finish | Gloss |
| Ambient air temperature for operation | 0...45 °C |
| Relative humidity | 10...95 % |
| Electrical durability | 12,000 operating cycles to AS/NZS 3133 |
| Mechanical durability | 20,000 plugging operating cycles |
| Connections - terminals | 3 x screw terminals |
| Screwdriver shape | Philips No 2 (PH2); Square drive No 1 (SQ1) |
| Cable size capacity | 4 x 2.5 mm ² ; 3 x 4.0 mm ² |
| Wire stripping length | 16 mm |
| Material | Grid plate : PC (polycarbonate) Screw cap : PC (polycarbonate) Infill : ABS (acrylonitrile butadiene-styrene) Shutter : POM (polyoxymethylene) Skin : ABS (acrylonitrile butadiene-styrene) Window : PC (polycarbonate) |
| Dimensions (HxWxD) mm | 78x116x18 |
| Product weight | 0.107 kg |
| Standards | AS/NZS 3112 |

| Environment | |
|------------------------|-----|
| Product certifications | RCM |



Dimensions (mm)



Sockets (continued)

P3015T

Pro Series - Single socket with timer 10 A 250 V

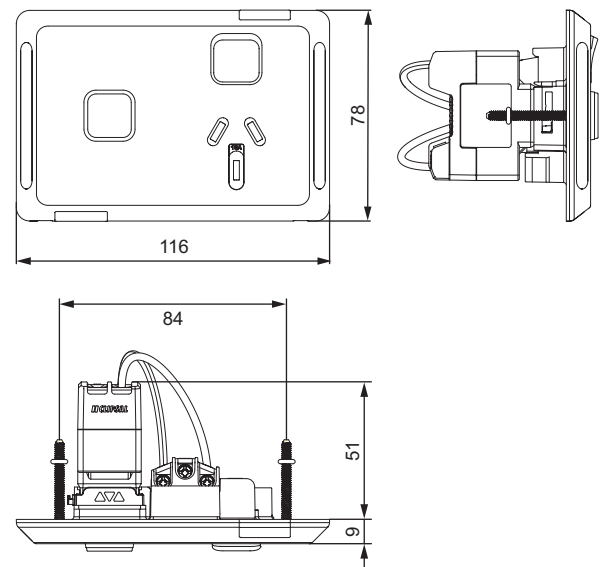
| Main | |
|----------------------------|--------------------------|
| Range | Clipsal Pro Series |
| Product type | Switched socket |
| Device presentation | Complete product |
| Outlet poles configuration | 2P + E with shutter |
| Included equipment | Screws, Grid plate, Skin |
| Mounted method | By screws (horizontal) |
| Type of packing | Polybag |
| Pack size | Set of 10 |
| Electrical rating | 10 A, 250 Vac, 50 Hz |

| Complementary | |
|---------------------------------------|--|
| Number of power socket outlets | 1 |
| Device mounting | Flush |
| Outlet standard description | With earth contact |
| Outlet standard | Australia/New Zealand |
| Colour | White (XW) |
| Surface finish | Gloss |
| Ambient air temperature for operation | 0..45 °C |
| Relative humidity | 10...95 % |
| Electrical durability | 12,000 operating cycles to AS/NZS 3133 |
| Mechanical durability | 20,000 plugging operating cycles |
| Connections - terminals | 3 x screw terminals |
| Screwdriver shape | Philips No 2 (PH2); Square drive No 1 (SQ1) |
| Cable size capacity | 4 x 2.5 mm ² ; 3 x 4.0 mm ² |
| Wire stripping length | 16 mm |
| Material | Grid plate : PC (polycarbonate) Screw cap : PC (polycarbonate) Infill : ABS (acrylonitrile butadiene-styrene) Shutter : POM (polyoxymethylene) Skin : ABS (acrylonitrile butadiene-styrene) Window : PC (polycarbonate) |
| Dimensions (HxWxD) mm | 78x116x51 |
| Product weight | 0.14 kg |
| Standards | AS/NZS 3112 |

| Environment | |
|------------------------|-----|
| Product certifications | RCM |



Dimensions (mm)



Socket Grids

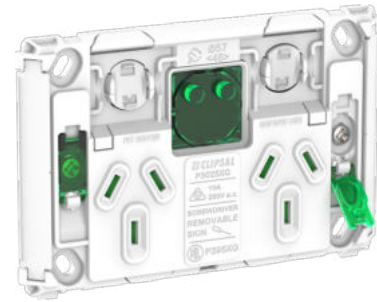
P3025PIDG

Pro Series - Twin switched socket horizontal grid plate (less skin)
10 A 250 V with power indicator

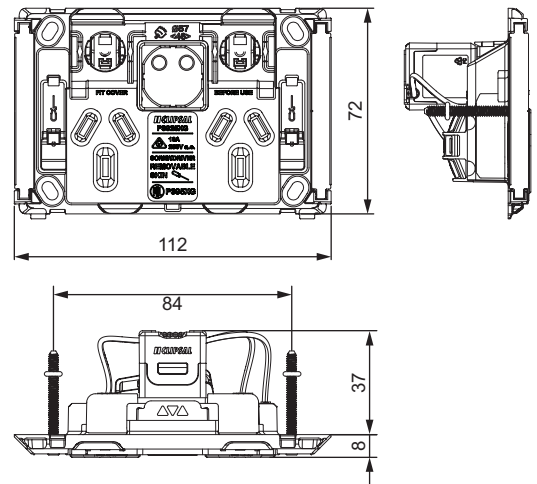
| Main | |
|----------------------------|--|
| Range | Clipsal Pro Series |
| Product type | Switched socket |
| Device presentation | Grid plate with power indicator module |
| Outlet poles configuration | 1P + E with shutter |
| Included equipment | Screws and Grid plate |
| Mounted method | By screws (horizontal) |
| Type of packing | Polybag |
| Pack size | Set of 10 |
| Electrical rating | 10 A, 250 Vac, 50 Hz |

| Complementary | |
|---------------------------------------|---|
| Number of power socket outlets | 2 |
| Device mounting | Flush |
| Outlet standard description | With earth contact |
| Outlet standard | Australia/New Zealand |
| Ambient air temperature for operation | 0...45 °C |
| Relative humidity | 10...95 % |
| Electrical durability | 12,000 operating cycles to AS/NZS 3133 |
| Mechanical durability | 20,000 plugging operating cycles |
| Connections - terminals | 3 x screw terminals |
| Screwdriver shape | Philips No 2 (PH2); Square drive No 1 (SQ1) |
| Cable size capacity | 4 x 2.5 mm ² ; 3 x 4.0 mm ² |
| Wire stripping length | 16 mm |
| Material | Grid plate : PC (polycarbonate) Screw cap : PC (polycarbonate) Infill : ABS (acrylonitrile butadiene-styrene) Shutter : POM (polyoxymethylene) |
| Dimensions (HxWxD) mm | 74x112x37 |
| Product weight | 0.092 kg |
| Standards | AS/NZS 3112 |

| Environment | |
|------------------------|-----|
| Product certifications | RCM |



Dimensions (mm)



Sockets (continued)

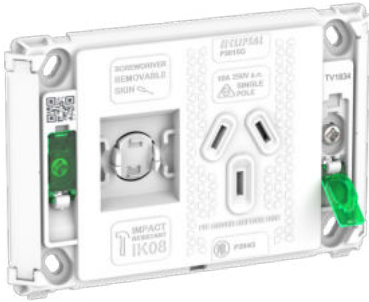
P3015G

Pro Series - Single switched socket horizontal grid plate (less skin) 10 A 250 V

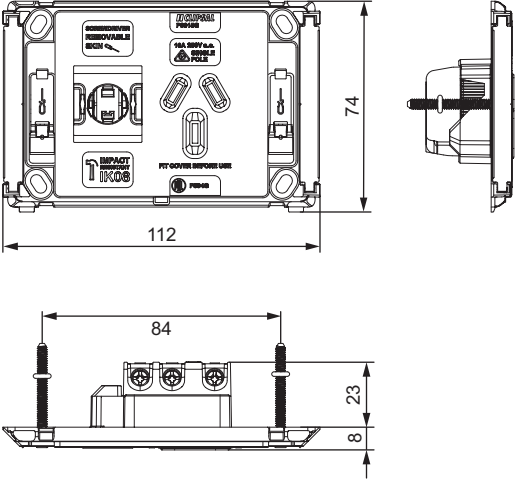
| Main | |
|----------------------------|------------------------|
| Range | Clipsal Pro Series |
| Product type | Switched socket |
| Device presentation | Grid plate |
| Outlet poles configuration | 1P + E with shutter |
| Included equipment | Screws and Grid plate |
| Mounted method | By screws (horizontal) |
| Type of packing | Polybag |
| Pack Size | Set of 10 |
| Electrical Rating | 10 A, 250 Vac, 50 Hz |

| Complementary | |
|---------------------------------------|---|
| Number of power socket outlets | 1 |
| Device mounting | Flush |
| Outlet standard description | With earth contact |
| Outlet standard | Australia/New Zealand |
| Ambient air temperature for operation | 0...45 °C |
| Relative humidity | 10...95 % |
| Electrical durability | 12,000 operating cycles to AS/NZS 3133 |
| Mechanical durability | 20,000 plugging operating cycles |
| Connections - terminals | 3 x screw terminals |
| Screwdriver shape | Philips No 2 (PH2); Square drive No 1 (SQ1) |
| Cable size capacity | 4 x 2.5 mm ² ; 3 x 4.0 mm ² |
| Wire stripping length | 16 mm |
| Material | Grid plate : PC (polycarbonate) Screw cap : PC (polycarbonate) Infill : ABS (acrylonitrile butadiene-styrene) Shutter : POM (polyoxymethylene) |
| Dimensions (HxWxD) mm | 74x112x23 |
| Product weight | 0.078 kg |
| Standards | AS/NZS 3112 |

| Environment | |
|------------------------|-----|
| Product certifications | RCM |



Dimensions (mm)



Socket Grids (continued)

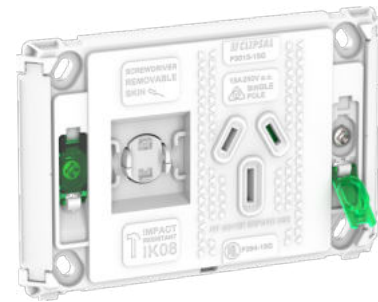
P3015-15G

Pro Series - Single switched socket horizontal grid plate (less skin) 15 A 250 V

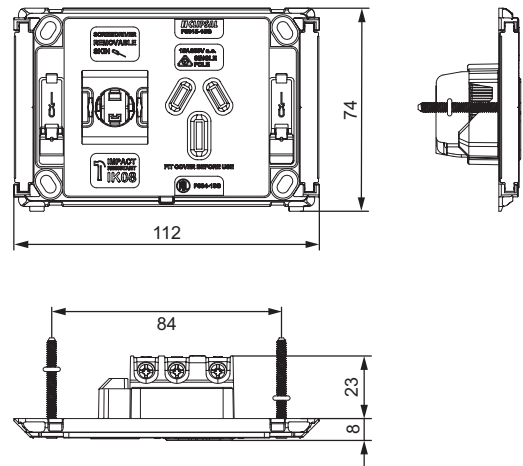
| Main | |
|----------------------------|------------------------|
| Range | Clipsal Pro Series |
| Product type | Switched socket |
| Device presentation | Grid plate |
| Outlet poles configuration | 1P + E with shutter |
| Included equipment | Screws and Grid plate |
| Mounted method | By screws (horizontal) |
| Type of packing | Polybag |
| Pack Size | Set of 10 |
| Electrical Rating | 15 A, 250 Vac, 50 Hz |

| Complementary | |
|---------------------------------------|---|
| Number of power socket outlets | 1 |
| Device mounting | Flush |
| Outlet standard description | With earth contact |
| Outlet standard | Australia/New Zealand |
| Ambient air temperature for operation | 0...45 °C |
| Relative humidity | 10...95 % |
| Electrical durability | 10,000 operating cycles to AS/NZS 3133 |
| Mechanical durability | 20,000 plugging operating cycles |
| Connections - terminals | 3 x screw terminals |
| Screwdriver shape | Philips No 2 (PH2); Square drive No 1 (SQ1) |
| Cable size capacity | 4 x 2.5 mm ² ; 3 x 4.0 mm ² |
| Wire stripping length | 16 mm |
| Material | Grid plate : PC (polycarbonate) Screw cap : PC (polycarbonate) Infill : ABS (acrylonitrile butadiene-styrene) Shutter : POM (polyoxymethylene) |
| Dimensions (HxWxD) mm | 74x112x23 |
| Product weight | 0.078 kg |
| Standards | AS/NZS 3112 |

| Environment | |
|------------------------|-----|
| Product certifications | RCM |



Dimensions (mm)



Socket Grids (continued)

P3015-20G

Pro Series - Single switched socket horizontal grid plate
(less skin) 20 A 250 V

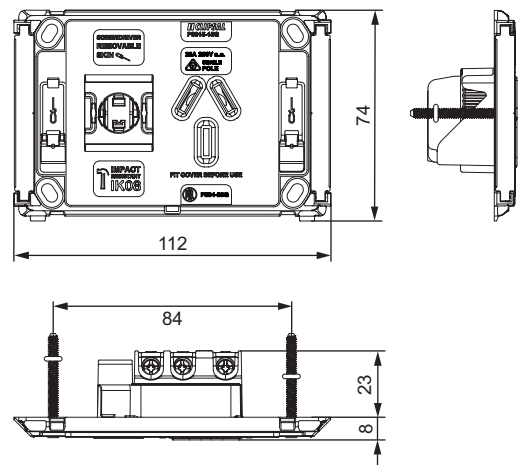
| Main | |
|----------------------------|------------------------|
| Range | Clipsal Pro Series |
| Product type | Switched socket |
| Device presentation | Grid plate |
| Outlet poles configuration | 1P + E with shutter |
| Included equipment | Screws and Grid plate |
| Mounted method | By screws (horizontal) |
| Type of packing | Polybag |
| Pack Size | Set of 10 |
| Electrical Rating | 20 A, 250 Vac, 50 Hz |

| Complementary | |
|---------------------------------------|---|
| Number of power socket outlets | 1 |
| Device mounting | Flush |
| Outlet standard description | With earth contact |
| Outlet standard | Australia/New Zealand |
| Ambient air temperature for operation | 0...45 °C |
| Relative humidity | 10...95 % |
| Electrical durability | 9,000 operating cycles to AS/NZS 3133 |
| Mechanical durability | 20,000 plugging operating cycles |
| Connections - terminals | 3 x screw terminals |
| Screwdriver shape | Philips No 2 (PH2); Square drive No 1 (SQ1) |
| Cable size capacity | 4 x 2.5 mm ² ; 3 x 4.0 mm ² |
| Wire stripping length | 16 mm |
| Material | Grid plate : PC (polycarbonate) Screw cap : PC (polycarbonate) Infill : ABS (acrylonitrile butadiene-styrene) Shutter : POM (polyoxymethylene) |
| Dimensions (HxWxD) mm | 74x112x23 |
| Product weight | 0.075 kg |
| Standards | AS/NZS 3112 |

| Environment | |
|------------------------|-----|
| Product certifications | RCM |



Dimensions (mm)



Socket Grids (continued)

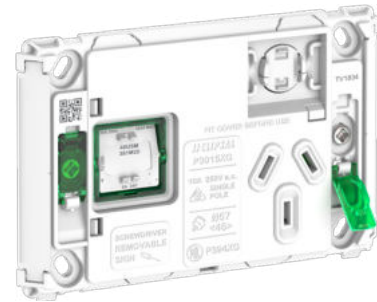
P3015XAG

Pro Series - Single switched socket horizontal grid plate (less skin) 10 A 250 V with extra switch

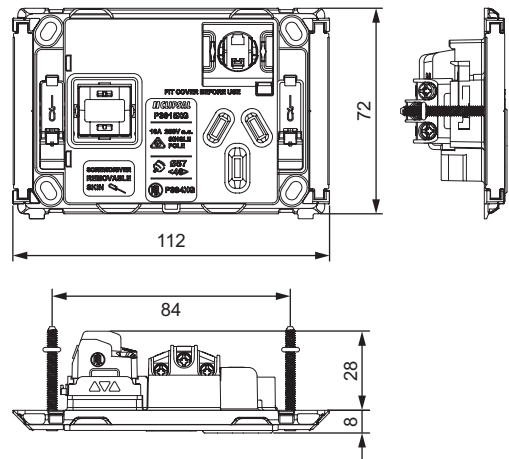
| Main | |
|----------------------------|------------------------|
| Range | Clipsal Pro Series |
| Product type | Switched socket |
| Device presentation | Grid plate |
| Outlet poles configuration | 1P + E with shutter |
| Included equipment | Screws and Grid plate |
| Mounted method | By screws (horizontal) |
| Type of packing | Polybag |
| Pack Size | Set of 10 |
| Electrical Rating | 10 A, 250 Vac, 50 Hz |

| Complementary | |
|---------------------------------------|---|
| Number of power socket outlets | 1 |
| Device mounting | Flush |
| Outlet standard description | With earth contact |
| Outlet standard | Australia/New Zealand |
| Ambient air temperature for operation | 0...45 °C |
| Relative humidity | 10...95 % |
| Electrical durability | 12,000 operating cycles to AS/NZS 3133 |
| Mechanical durability | 20,000 plugging operating cycles |
| Connections - terminals | 3 x screw terminals |
| Screwdriver shape | Philips No 2 (PH2); Square drive No 1 (SQ1) |
| Cable size capacity | 4 x 2.5 mm ² ; 3 x 4.0 mm ² |
| Wire stripping length | 16 mm |
| Material | Grid plate : PC (polycarbonate) Screw cap : PC (polycarbonate) Infill : ABS (acrylonitrile butadiene-styrene) Shutter : POM (polyoxymethylene) |
| Dimensions (HxWxD) mm | 74x112x28 |
| Product weight | 0.092 kg |
| Standards | AS/NZS 3112 |

| Environment | |
|------------------------|-----|
| Product certifications | RCM |



Dimensions (mm)



Socket Grids (continued)

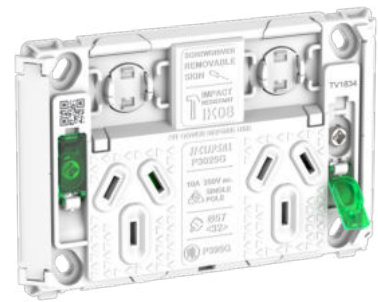
P3025G

Pro Series - Twin switched socket horizontal grid plate (less skin)
10 A 250 V

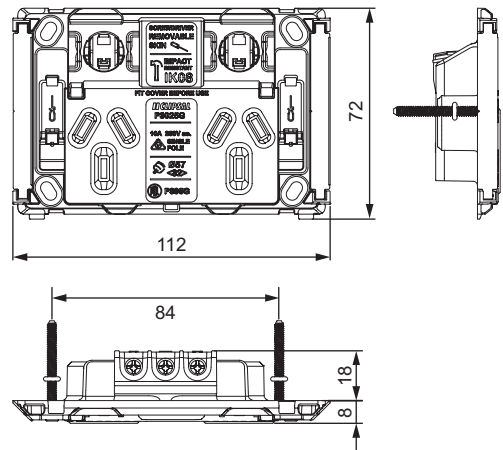
| Main | |
|----------------------------|------------------------|
| Range | Clipsal Pro Series |
| Product type | Switched socket |
| Device presentation | Grid plate |
| Outlet poles configuration | 1P + E with shutter |
| Included equipment | Screws and Grid plate |
| Mounted method | By screws (horizontal) |
| Type of packing | Polybag |
| Pack Size | Set of 10 |
| Electrical Rating | 10 A, 250 Vac, 50 Hz |

| Complementary | |
|---------------------------------------|---|
| Number of power socket outlets | 2 |
| Device mounting | Flush |
| Outlet standard description | With earth contact |
| Outlet standard | Australia/New Zealand |
| Ambient air temperature for operation | 0...45 °C |
| Relative humidity | 10...95 % |
| Electrical durability | 12,000 operating cycles to AS/NZS 3133 |
| Mechanical durability | 20,000 plugging operating cycles |
| Connections - terminals | 3 x screw terminals |
| Screwdriver shape | Philips No 2 (PH2); Square drive No 1 (SQ1) |
| Cable size capacity | 4 x 2.5 mm ² ; 3 x 4.0 mm ² |
| Wire stripping length | 16 mm |
| Material | Grid plate : PC (polycarbonate) Screw cap : PC (polycarbonate) Infill : ABS (acrylonitrile butadiene-styrene) Shutter : POM (polyoxymethylene) |
| Dimensions (HxWxD) mm | 74x112x18 |
| Product weight | 0.087 kg |
| Standards | AS/NZS 3112 |

| Environment | |
|------------------------|-----|
| Product certifications | RCM |



Dimensions (mm)



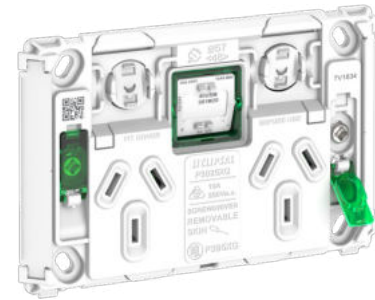
Socket Grids (continued)

P3025XAG

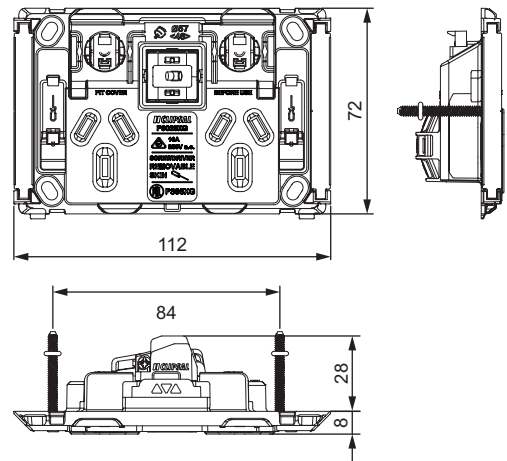
Pro Series - Twin switched socket horizontal grid plate (less skin)
10 A 250 V with extra switch

| Main | |
|----------------------------|------------------------------|
| Range | Clipsal Pro Series |
| Product type | Switched socket |
| Device presentation | Grid plate with extra switch |
| Outlet poles configuration | 1P + E with shutter |
| Mounted method | By screw |

| Complementary | |
|---------------------------------------|---|
| Socket number | 2 |
| Device mounting | Flush |
| Outlet standard description | With earth contact |
| Outlet standard | Australia/New Zealand |
| Switch function | 2-way |
| Mounting mode | Horizontal |
| Surface finish | Gloss |
| Type of packing | Polybag |
| Quantity per set | Set of 10 |
| Sale per indivisible quantity | 1 |
| Ambient air temperature for storage | 0...60 °C |
| Rated current | 10 A for socket 16 AX for switch |
| [Ue] rated operational voltage | 250 Vac 50 Hz |
| Ambient air temperature for operation | 0...45 °C |
| Relative humidity | 10...95 % |
| Electrical durability | 12,000 operating cycles to AS/NZS 3133 |
| Mechanical durability | 20,000 plugging operating cycles |
| Connections - terminals | Screw terminal |
| Number of terminals | 3 |
| Screwdriver shape | Philips No 2 (PH2); Square drive No 1 (SQ1) |
| Cable size capacity | 4 x 2.5 mm ² ; 3 x 4.0 mm ² |
| Wire stripping length | 16 mm |
| Material | Grid plate : PC (polycarbonate) Screw cap : PC (polycarbonate) Infill : ABS (acrylonitrile butadiene-styrene) Shutter : POM (polyoxymethylene) |
| Dimensions (HxWxD) mm | 74x112x28 |
| Product weight | 0.08 kg |
| Standards | AS/NZS 3112 |



Dimensions (mm)



| Environment | |
|------------------------|-----|
| Product certifications | RCM |

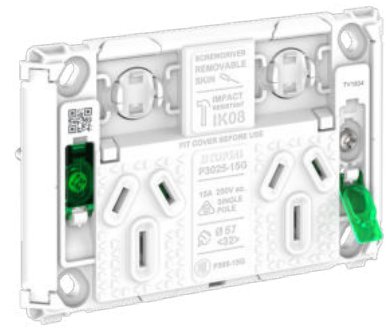
Socket Grids (continued)

P3025-15G

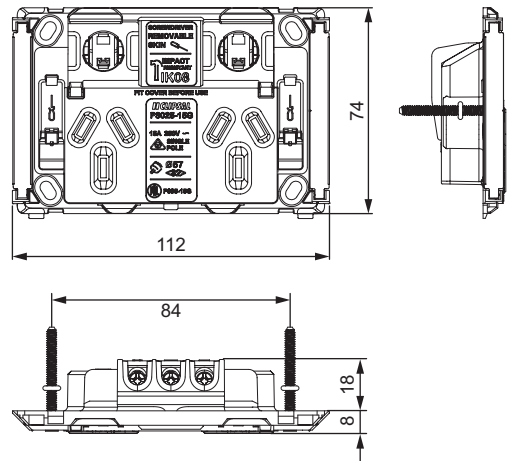
Pro Series - Twin switched socket horizontal grid plate (less skin)
15 A 250 V

| Main | |
|----------------------------|----------------------|
| Range | Clipsal Pro Series |
| Product type | Switched socket |
| Device presentation | Grid plate |
| Outlet poles configuration | 1P + E with shutter |
| Type of packing | Polybag |
| Pack Size | Set of 10 |
| Electrical Rating | 15 A, 250 Vac, 50 Hz |

| Complementary | |
|---------------------------------------|---|
| Number of power socket outlets | 2 |
| Device mounting | Flush |
| Number of rocker | 2 |
| Outlet standard description | With earth contact |
| Outlet standard | Australia/New Zealand |
| Fixing mode | By screw |
| Installation direction | Horizontal |
| Surface finish | Gloss |
| Ambient air temperature for operation | 0...45 °C |
| Relative humidity | 10...95 % |
| Electrical durability | 10,000 operating cycles to AS/NZS 3133 |
| Mechanical durability | 20,000 plugging operating cycles |
| Connections - terminals | 3 x screw terminals |
| Screwdriver shape | Philips No 2 (PH2); Square drive No 1 (SQ1) |
| Cable size capacity | 4 x 2.5 mm ² ; 3 x 4.0 mm ² |
| Wire stripping length | 16 mm |
| Material | Grid plate : PC (polycarbonate) Screw cap : PC (polycarbonate) Infill : ABS (acrylonitrile butadiene-styrene) Shutter : POM (polyoxymethylene) |
| Dimensions (HxWxD) mm | 74x112x18 |
| Product weight | 0.078 kg |
| Standards | AS/NZS 3112 |



Dimensions (mm)



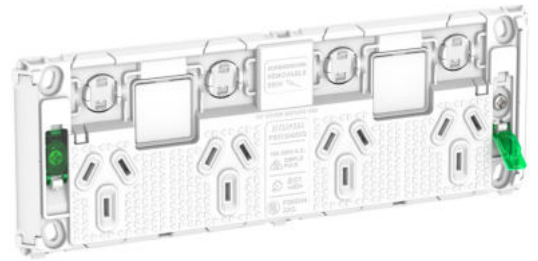
| Environment | |
|------------------------|-----|
| Product certifications | RCM |

Socket Grids (continued)

P3015-4XXUAG

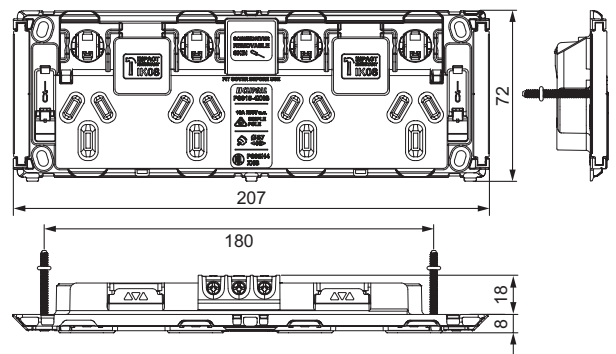
Pro Series - Quad switched socket horizontal (less skin) 10 A 250 V with extra switch aperture (less module)

| Main | |
|----------------------------|------------------------|
| Range | Clipsal Pro Series |
| Product type | Switched socket |
| Device presentation | Grid plate |
| Outlet poles configuration | 1P + E with shutter |
| Included equipment | Screws and Grid plate |
| Mounted method | By screws (horizontal) |
| Type of packing | Polybag |
| Pack Size | Set of 5 |
| Electrical Rating | 10 A, 250 Vac, 50 Hz |



| Complementary | |
|---------------------------------------|---|
| Number of power socket outlets | 4 |
| Device mounting | Flush |
| Outlet standard description | With earth contact |
| Outlet standard | Australia/New Zealand |
| Ambient air temperature for operation | 0...45 °C |
| Relative humidity | 10...95 % |
| Electrical durability | 12,000 operating cycles to AS/NZS 3133 |
| Mechanical durability | 20,000 plugging operating cycles |
| Connections - terminals | 3 x screw terminals |
| Screwdriver shape | Philips No 2 (PH2); Square drive No 1 (SQ1) |
| Cable size capacity | 4 x 2.5 mm ² ; 3 x 4.0 mm ² |
| Wire stripping length | 16 mm |
| Material | Grid plate : PC (polycarbonate) Screw cap : PC (polycarbonate) Infill : ABS (acrylonitrile butadiene-styrene) Shutter : POM (polyoxymethylene) |
| Dimensions (HxWxD) mm | 72x207x18 |
| Product weight | 0.036 kg |
| Standards | AS/NZS 3112 |

Dimensions (mm)



| Environment | |
|------------------------|-----|
| Product certifications | RCM |

Socket Grids (continued)

P3015VG

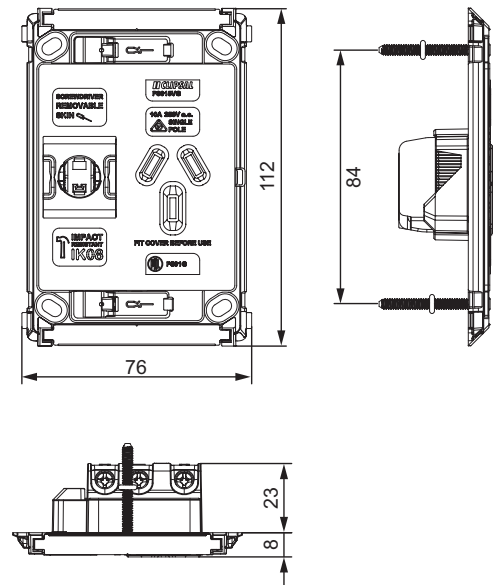
Pro Series - Single switched socket vertical grid plate (less skin)
10 A 250 V

| Main | |
|----------------------------|------------------------|
| Range | Clipsal Pro Series |
| Product type | Switched socket |
| Device presentation | Grid plate |
| Outlet poles configuration | 1P + E with shutter |
| Included equipment | Screws and Grid plate |
| Mounted method | By screws (horizontal) |
| Type of packing | Polybag |
| Pack Size | Set of 10 |
| Electrical Rating | 10 A, 250 Vac, 50 Hz |



| Complementary | |
|---------------------------------------|---|
| Number of power socket outlets | 1 |
| Device mounting | Flush |
| Outlet standard description | With earth contact |
| Outlet standard | Australia/New Zealand |
| Ambient air temperature for operation | 0...45 °C |
| Relative humidity | 10...95 % |
| Electrical durability | 12,000 operating cycles to AS/NZS 3133 |
| Mechanical durability | 20,000 plugging operating cycles |
| Connections - terminals | 3 x screw terminals |
| Screwdriver shape | Philips No 2 (PH2); Square drive No 1 (SQ1) |
| Cable size capacity | 4 x 2.5 mm ² ; 3 x 4.0 mm ² |
| Wire stripping length | 16 mm |
| Material | Grid plate :PC (polycarbonate) Screw cap :PC (polycarbonate) Infill : ABS (acrylonitrile butadiene-styrene) Shutter : POM (polyoxymethylene) |
| Dimensions (HxWxD) mm | 112x76x23 |
| Product weight | 0.074 kg |
| Standards | AS/NZS 3112 |

Dimensions (mm)



| Environment | |
|------------------------|-----|
| Product certifications | RCM |

Socket Grids (continued)

P3025VXAG

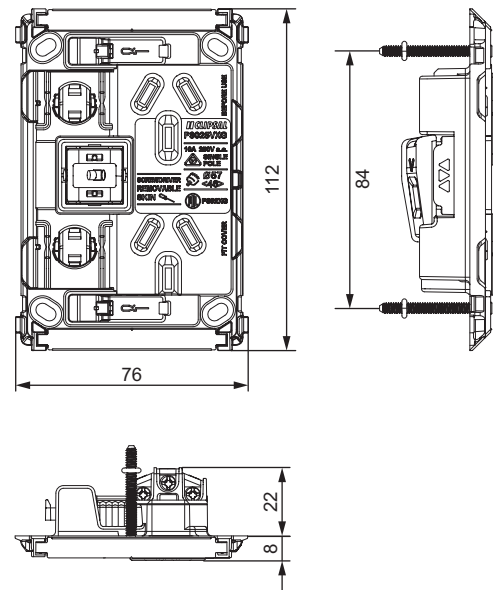
Pro Series - Twin switched socket vertical grid plate (less skin)
10 A 250 V with extra switch

| Main | |
|----------------------------|------------------------------|
| Range | Clipsal Pro Series |
| Product type | Switched socket |
| Device presentation | Grid plate with extra switch |
| Outlet poles configuration | 1P + E with shutter |
| Included equipment | Screws and Grid plate |
| Mounted method | By screws (horizontal) |
| Type of packing | Polybag |
| Pack Size | Set of 10 |
| Electrical Rating | 10 A, 250 Vac, 50 Hz |



| Complementary | |
|---------------------------------------|---|
| Number of power socket outlets | 2 |
| Device mounting | Flush |
| Outlet standard description | With earth contact |
| Outlet standard | Australia/New Zealand |
| Ambient air temperature for operation | 0...45 °C |
| Relative humidity | 10...95 % |
| Electrical durability | 12,000 operating cycles to AS/NZS 3133 |
| Mechanical durability | 20,000 plugging operating cycles |
| Connections - terminals | 3 x screw terminals |
| Screwdriver shape | Philips No 2 (PH2); Square drive No 1 (SQ1) |
| Cable size capacity | 4 x 2.5 mm ² ; 3 x 4.0 mm ² |
| Wire stripping length | 16 mm |
| Material | Grid plate :PC (polycarbonate) Screw cap :PC (polycarbonate) Infill : ABS (acrylonitrile butadiene-styrene) Shutter : POM (polyoxymethylene) |
| Dimension (HxWxD) mm | 112x76x22 |
| Product weight | 0.097 kg |
| Standards | AS/NZS 3112 |

Dimensions (mm)



| Environment | |
|------------------------|-----|
| Product certifications | RCM |

Socket Grids (continued)

P3025VG

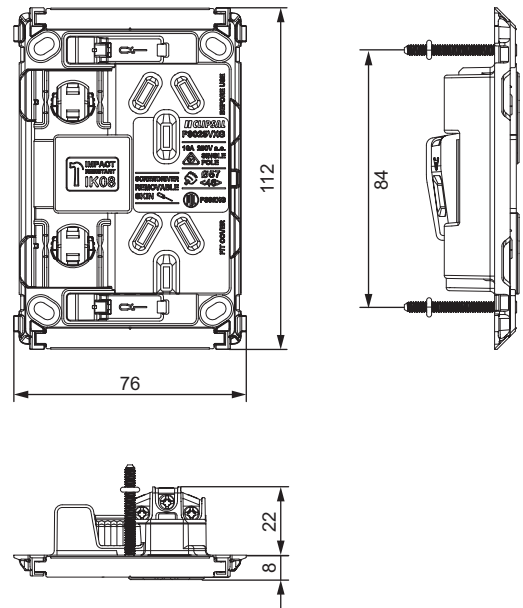
Pro Series - Twin switched socket vertical grid plate (less skin)
10 A 250 V

| Main | |
|----------------------------|-----------------------|
| Range | Clipsal Pro Series |
| Product type | Switched socket |
| Device presentation | Grid plate |
| Included equipment | Screws and Grid plate |
| Outlet poles configuration | 1P + E with shutter |
| Mounted method | By screws (vertical) |
| Type of packing | Polybag |
| Pack Size | Set of 10 |
| Electrical Rating | 10 A, 250 Vac, 50 Hz |



| Complementary | |
|---------------------------------------|---|
| Number of power socket outlets | 2 |
| Device mounting | Flush |
| Outlet standard description | With earth contact |
| Outlet standard | Australia/New Zealand |
| Ambient air temperature for operation | 0...45 °C |
| Relative humidity | 10...95 % |
| Electrical durability | 12,000 operating cycles to AS/NZS 3133 |
| Mechanical durability | 20,000 plugging operating cycles |
| Connections - terminals | 3 x screw terminals |
| Screwdriver shape | Philips No 2 (PH2); Square drive No 1 (SQ1) |
| Cable size capacity | 4 x 2.5 mm ² ; 3 x 4.0 mm ² |
| Wire stripping length | 16 mm |
| Material | Grid plate :PC (polycarbonate) Screw cap :PC (polycarbonate) Infill : ABS (acrylonitrile butadiene-styrene) Shutter : POM (polyoxymethylene) |
| Dimensions (HxWxD) mm | 112x76x22 |
| Product weight | 0.082 kg |
| Standards | AS/NZS 3112 |

Dimensions (mm)



| Environment | |
|------------------------|-----|
| Product certifications | RCM |

Socket Grids (continued)

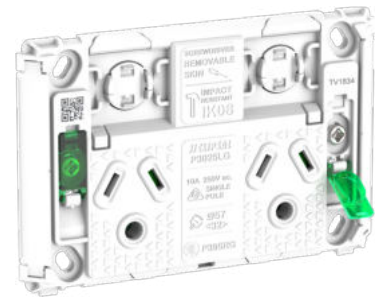
P3025LG

Pro Series - Twin switched socket horizontal grid plate round earth pin (less skin) 10 A 250 V

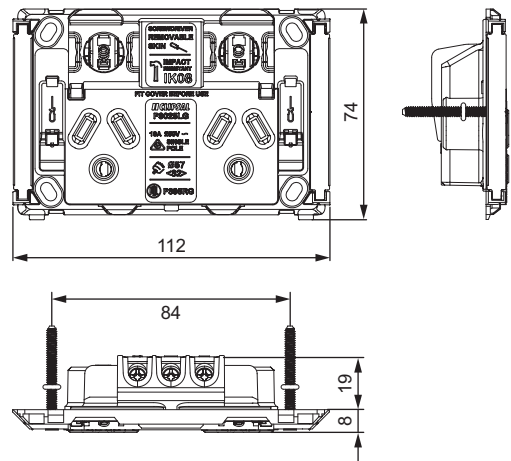
| Main | |
|----------------------------|------------------------|
| Range | Clipsal Pro Series |
| Product type | Switched socket |
| Device presentation | Grid plate |
| Included equipment | Screws and Grid plate |
| Outlet poles configuration | 1P + E with shutter |
| Mounted method | By screws (horizontal) |
| Type of packing | Polybag |
| Pack Size | Set of 10 |
| Electrical Rating | 10 A, 250 Vac, 50 Hz |

| Complementary | |
|---------------------------------------|---|
| Number of power socket outlets | 2 |
| Device mounting | Flush |
| Outlet standard description | With earth contact |
| Outlet standard | Australia/New Zealand |
| Ambient air temperature for operation | 0...45 °C |
| Relative humidity | 10...95 % |
| Electrical durability | 12,000 operating cycles to AS/NZS 3133 |
| Mechanical durability | 20,000 plugging operating cycles |
| Connections - terminals | 3 x screw terminals |
| Screwdriver shape | Philips No 2 (PH2); Square drive No 1 (SQ1) |
| Cable size capacity | 4 x 2.5 mm ² ; 3 x 4.0 mm ² |
| Wire stripping length | 16 mm |
| Material | Grid plate :PC (polycarbonate) Screw cap :PC (polycarbonate) Infill : ABS (acrylonitrile butadiene-styrene) Shutter : POM (polyoxymethylene) |
| Dimensions (HxWxD) mm | 74x112x19 |
| Product weight | 0.078 kg |
| Standards | AS/NZS 3112 |

| Environment | |
|------------------------|-----|
| Product certifications | RCM |



Dimensions (mm)

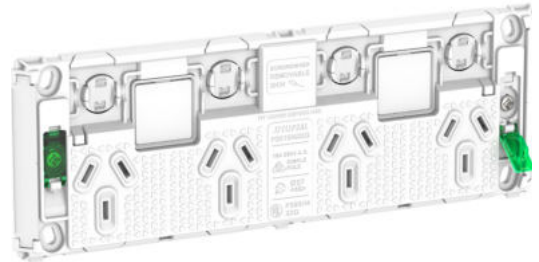


Socket Grids (continued)

P3015-4G

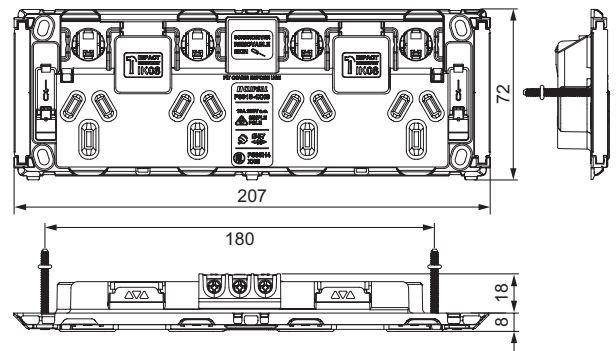
Pro Series - Quad switched socket horizontal grid 10 A 250 V

| Main | |
|----------------------------|------------------------|
| Range | Clipsal Pro Series |
| Product type | Switched socket |
| Device presentation | Grid plate |
| Included equipment | Screws and Grid plate |
| Outlet poles configuration | 1P + E with shutter |
| Mounted method | By screws (horizontal) |
| Type of packing | Polybag |
| Pack Size | Set of 5 |
| Electrical Rating | 10 A, 250 Vac, 50 Hz |



| Complementary | |
|---------------------------------------|---|
| Number of power socket outlets | 4 |
| Device mounting | With earth contact |
| Outlet standard description | With earth contact |
| Outlet standard | Australia/New Zealand |
| Ambient air temperature for operation | 0...45 °C |
| Relative humidity | 10...95 % |
| Electrical durability | 12,000 operating cycles to AS/NZS 3133 |
| Mechanical durability | 20,000 plugging operating cycles |
| Connections - terminals | 3 x screw terminals |
| Screwdriver shape | Philips No 2 (PH2); Square drive No 1 (SQ1) |
| Cable size capacity | 4 x 2.5 mm ² ; 3 x 4.0 mm ² |
| Wire stripping length | 16 mm |
| Material | Grid plate :PC (polycarbonate) Screw cap :PC (polycarbonate) Infill : ABS (acrylonitrile butadiene-styrene) Shutter : POM (polyoxymethylene) |
| Dimensions (HxWxD) mm | 72x207x18 |
| Product weight | 0.032 kg |
| Standards | AS/NZS 3112 |

Dimensions (mm)



| Environment | |
|------------------------|-----|
| Product certifications | RCM |

Socket Grids (continued)

P3025USB2G

Pro Series - Twin switched socket 10 A 250 V grid plate (less skin) with twin 2.1 A USB charger module

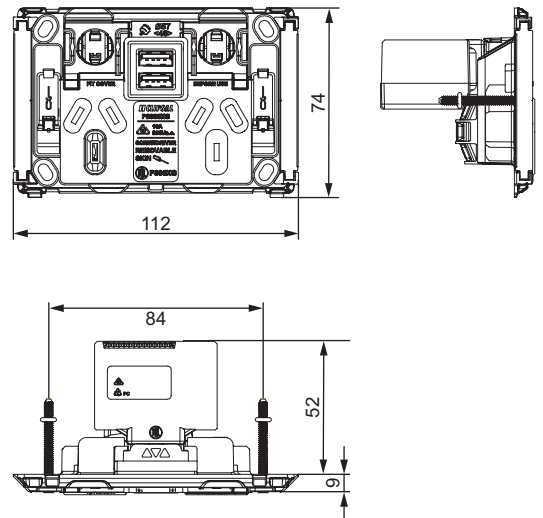
| Main | |
|----------------------------|------------------------------------|
| Range | Clipsal Pro Series |
| Product type | Switched socket |
| Device presentation | Grid plate with USB charger module |
| Included equipment | Screws and Grid plate |
| Outlet poles configuration | 1P + E with shutter |
| Mounted method | By screws (horizontal) |
| Type of packing | Polybag |
| Pack Size | Set of 10 |
| Electrical Rating | 10 A, 250 Vac, 50 Hz |

| Complementary | |
|---------------------------------------|---|
| Number of power socket outlets | 2 |
| Device mounting | Flush |
| Outlet standard description | With earth contact |
| Outlet standard | Australia/New Zealand |
| Ambient air temperature for operation | 0...45 °C |
| Relative humidity | 10...95 % |
| Electrical durability | 12,000 operating cycles to AS/NZS 3133 |
| Mechanical durability | 20,000 plugging operating cycles |
| Connections - terminals | 3 x screw terminals |
| Screwdriver shape | Philips No 2 (PH2); Square drive No 1 (SQ1) |
| Cable size capacity | 4 x 2.5 mm ² ; 3 x 4.0 mm ² |
| Wire stripping length | 16 mm |
| Material | Grid plate : PC (polycarbonate) Screw cap : PC (polycarbonate) Infill : ABS (acrylonitrile butadiene-styrene) Shutter : POM (polyoxymethylene) |
| Dimensions (HxWxD) mm | 74x112x52 |
| Product weight | 0.145 kg |
| Standards | AS/NZS 3112 |

| Environment | |
|------------------------|-----|
| Product certifications | RCM |



Dimensions (mm)

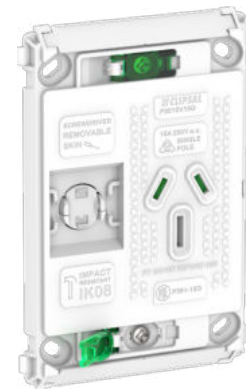


Socket Grids (continued)

P3015V15G

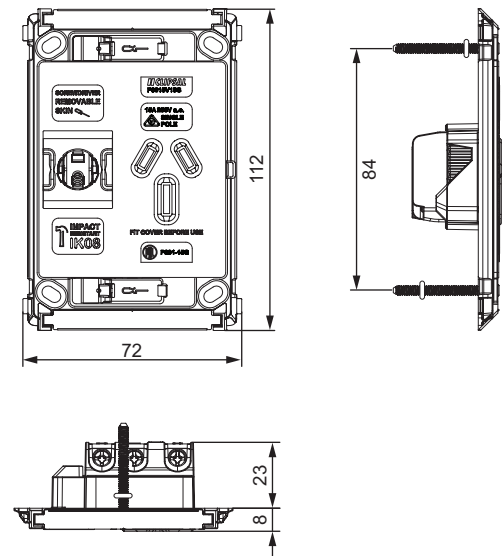
Pro Series - Single switched socket vertical grid plate (less skin)
15 A 250 V

| Main | |
|----------------------------|-----------------------|
| Range | Clipsal Pro Series |
| Product type | Switched socket |
| Device presentation | Grid plate |
| Outlet poles configuration | 1P + E with shutter |
| Included equipment | Screws and Grid plate |
| Mounted method | By screws (vertical) |
| Type of packing | Polybag |
| Pack size | Set of 10 |
| Electrical rating | 15 A, 250 Vac, 50 Hz |



| Complementary | |
|---------------------------------------|---|
| Number of power socket outlets | 1 |
| Device mounting | Flush |
| Outlet standard description | With earth contact |
| Outlet standard | Australia/New Zealand |
| Ambient air temperature for operation | 0...45 °C |
| Relative humidity | 10...95 % |
| Electrical durability | 10,000 operating cycles to AS/NZS 3133 |
| Mechanical durability | 20,000 plugging operating cycles |
| Connections - terminals | 3 x screw terminals |
| Screwdriver shape | Philips No 2 (PH2); Square drive No 1 (SQ1) |
| Cable size capacity | 4 x 2.5 mm ² ; 3 x 4.0 mm ² |
| Wire stripping length | 16 mm |
| Material | Grid plate :PC (polycarbonate) Screw cap :PC (polycarbonate) Infill : ABS (acrylonitrile butadiene-styrene) Shutter : POM (polyoxymethylene) |
| Dimensions (HxWxD) mm | 112x74x23 |
| Product weight | 0.078 kg |
| Standards | AS/NZS 3112 |

Dimensions (mm)



| Environment | |
|------------------------|-----|
| Product certifications | RCM |

Socket Grids (continued)

P3043HUSBG

Pro Series - 3 USB Charger, Type A, 2.1 A, 240 V

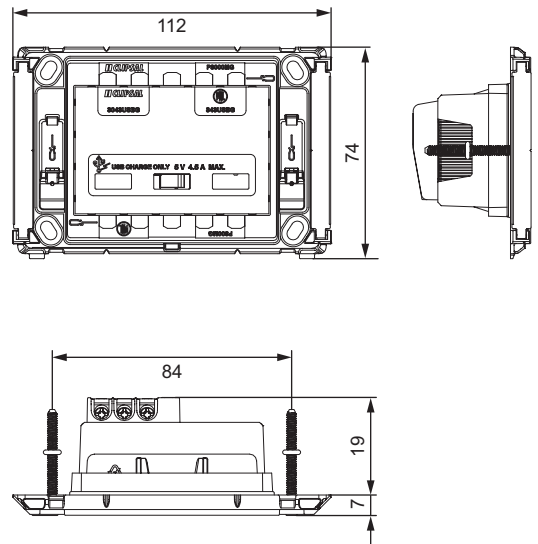
| Main | |
|---|--|
| Range | Clipsal Pro Series |
| Product type | USB charger |
| Device presentation | Mechanism with fixing frame |
| [Ue] rated operational voltage | 220/240 Vac 50 Hz |
| Integrated connection type | 3 USB 2.0 type A 5 V DC, maximum load current: 2.1 A |
| Fixing mode | By screws |
| Type of packing | Polybag |
| Quantity per set | Set of 5 |
| Maximum load current with 2 outputs used simultaneously | 4.5 A |

| Complementary | |
|---------------------------------------|---|
| Device mounting | Flush |
| Surface finish | Matt textured |
| Ambient air temperature for operation | 0...45 °C |
| Ambient air temperature for storage | -5...50 °C |
| Relative humidity | 10...95 % |
| Material | Grid plate : PC (polycarbonate) PP (polypropylene) Infill : ABS (acrylonitrile butadiene-styrene) |
| Protection type | Short time short-circuit protection |
| Number of terminals | 3 screw terminal |
| Screwdriver shape | Square drive no 1 (SQ1) Philips No 2 |
| Cable size capacity | 4 x 2.5 mm ² ; 3 x 4.0 mm ² |
| Wire stripping length | 16 mm |
| Dimensions (HxWxD) mm | 74x112x19 |
| Standards | AS/NZS 3112 |

| Environment | |
|------------------------|-----|
| Product certifications | RCM |



Dimensions (mm)



Socket Skins

P3015C

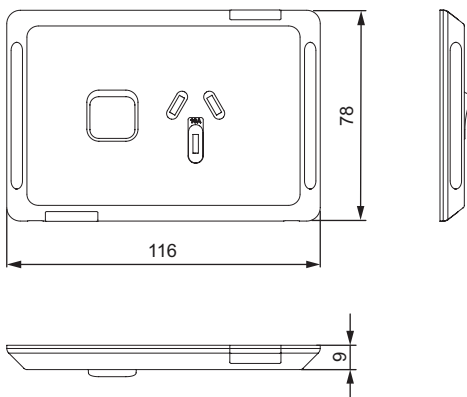
Pro Series - Skin for single switched socket horizontal 10 A 250 V

| Main | |
|---------------------|--------------------|
| Range | Clipsal Pro Series |
| Product type | Skin |
| Product destination | Switched Socket |

| Complementary | |
|---------------------------------------|---|
| Device mounting | Flush |
| Mounted method | Clip-on |
| Colour | White (XW), Black (BK) |
| Surface finish | Gloss |
| Type of packing | Polybag |
| Pack Size | Set of 20 |
| Ambient air temperature for operation | 0...45 °C |
| Relative humidity | 10...95 % |
| Material | Skin : ABS (acrylonitrile butadiene-styrene) Window : PC (polycarbonate) |
| Dimensions (HxWxD) mm | 78x116x9 |
| Product weight | 0.02 kg |



Dimensions (mm)



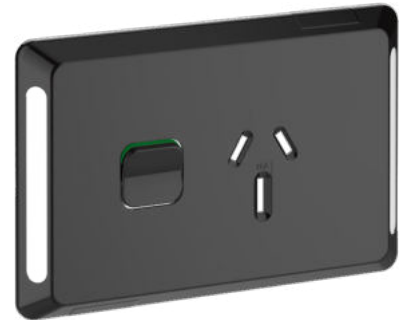
Socket Skins (continued)

P3015-15C

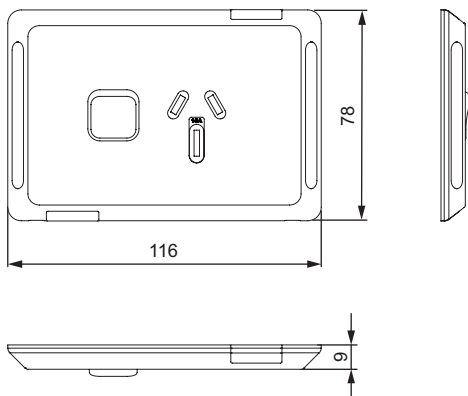
Pro Series - Skin for single switched socket horizontal 15 A 250 V

| Main | |
|---------------------|--------------------|
| Range | Clipsal Pro Series |
| Product type | Skin |
| Product destination | Switched socket |

| Complementary | |
|---------------------------------------|---|
| Device mounting | Flush |
| Mounted method | Clip-on |
| Colour | White (XW), Black (BK) |
| Surface finish | Gloss |
| Type of packing | Polybag |
| Pack Size | Set of 20 |
| Ambient air temperature for operation | 0...45 °C |
| Relative humidity | 10...95 % |
| Material | Skin : ABS (acrylonitrile butadiene-styrene) Window : PC (polycarbonate) |
| Dimensions (HxWxD) mm | 78x116x9 |
| Product weight | 0.02 kg |



Dimensions (mm)



Socket Skins (continued)

P3015-20C

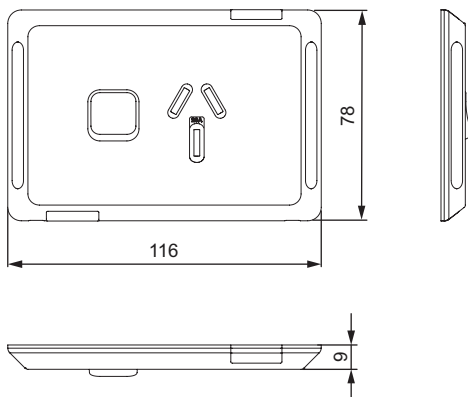
Pro Series - Skin for single switched socket horizontal 20 A 250 V

| Main | |
|---------------------|--------------------|
| Range | Clipsal Pro Series |
| Product type | Skin |
| Product destination | Switched socket |

| Complementary | |
|---------------------------------------|---|
| Device mounting | Flush |
| Mounted method | Clip-on |
| Colour | White (XW), Black (BK) |
| Surface finish | Gloss |
| Type of packing | Polybag |
| Pack Size | Set of 20 |
| Ambient air temperature for operation | 0...45 °C |
| Relative humidity | 10...95 % |
| Material | Skin : ABS (acrylonitrile butadiene-styrene) Window : PC (polycarbonate) |
| Dimensions (HxWxD) mm | 78x116x9 |
| Product weight | 0.02 kg |



Dimensions (mm)



Socket Skins (continued)

P3015XC

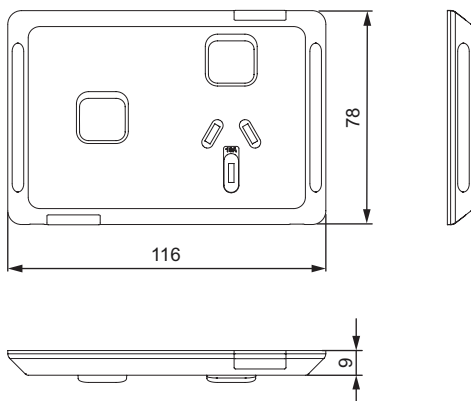
Pro Series - Skin for single switched socket horizontal with extra switch 10 A 250 V

| Main | |
|---------------------|--------------------|
| Range | Clipsal Pro Series |
| Product type | Skin |
| Product destination | Switched socket |

| Complementary | |
|---------------------------------------|---|
| Device mounting | Flush |
| Mounted method | Clip-on |
| Colour | White (XW), Black (BK) |
| Surface finish | Gloss |
| Type of packing | Polybag |
| Pack Size | Set of 20 |
| Ambient air temperature for operation | 0...45 °C |
| Relative humidity | 10...95 % |
| Material | Skin : ABS (acrylonitrile butadiene-styrene) Window : PC (polycarbonate) |
| Dimensions (HxWxD) mm | 78x116x9 |
| Product weight | 0.02 kg |



Dimensions (mm)



Socket Skins (continued)

P3025C

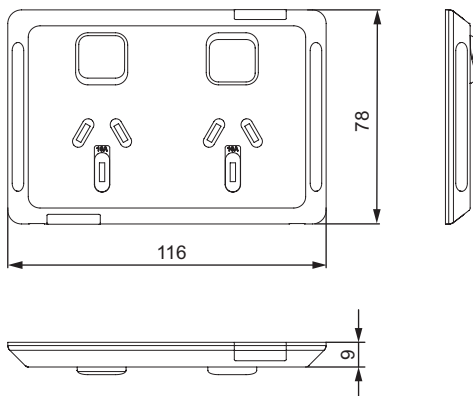
Pro Series - Skin for twin switched socket horizontal 10 A 250 V

| Main | |
|---------------------|--------------------|
| Range | Clipsal Pro Series |
| Product type | Skin |
| Product destination | Switched socket |

| Complementary | |
|---------------------------------------|---|
| Device mounting | Flush |
| Mounted method | Clip-on |
| Colour | White (XW), Black (BK), Blue (DB), Red (RD), Green (GR) |
| Surface finish | Gloss |
| Type of packing | Polybag |
| Pack Size | Set of 20 |
| Ambient air temperature for operation | 0...45 °C |
| Relative humidity | 10...95 % |
| Material | Skin : ABS (acrylonitrile butadiene-styrene) Window : PC (polycarbonate) |
| Dimensions (HxWxD) mm | 78x116x9 |
| Product weight | 0.02 kg |



Dimensions (mm)



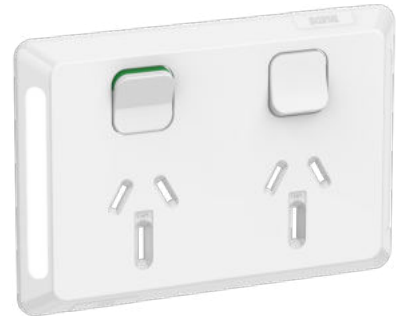
Socket Skins (continued)

P3025-15C

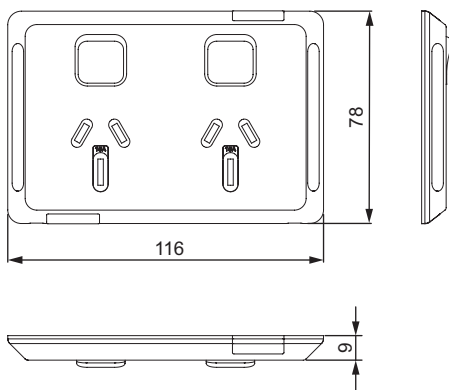
Pro Series - Skin for twin switched socket horizontal 15 A 250 V

| Main | |
|---------------------|--------------------|
| Range | Clipsal Pro Series |
| Product type | Skin |
| Product destination | Switched socket |

| Complementary | |
|---------------------------------------|---|
| Device mounting | Flush |
| Mounted method | Clip-on |
| Colour | White (XW), Black (BK) |
| Surface finish | Gloss |
| Type of packing | Polybag |
| Pack Size | Set of 20 |
| Ambient air temperature for operation | 0...45 °C |
| Relative humidity | 10...95 % |
| Material | Skin : ABS (acrylonitrile butadiene-styrene) Window : PC (polycarbonate) |
| Dimensions (HxWxD) mm | 78x116x9 |
| Product weight | 0.02 kg |



Dimensions (mm)



Socket Skins (continued)

P3025XC

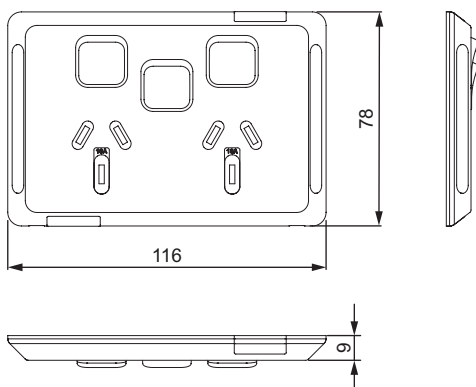
Pro Series - Skin for twin switched socket horizontal with extra switch 10 A 250 V

| Main | |
|---------------------|--------------------|
| Range | Clipsal Pro Series |
| Product type | Skin |
| Product destination | Switched socket |

| Complementary | |
|---------------------------------------|---|
| Device mounting | Flush |
| Mounted method | Clip-on |
| Colour | White (XW), Black (BK) |
| Surface finish | Gloss |
| Type of packing | Polybag |
| Pack Size | Set of 20 |
| Ambient air temperature for operation | 0...45 °C |
| Relative humidity | 10...95 % |
| Material | Skin : ABS (acrylonitrile butadiene-styrene) Window : PC (polycarbonate) |
| Dimensions (HxWxD) mm | 78x116x9 |
| Product weight | 0.02 kg |



Dimensions (mm)



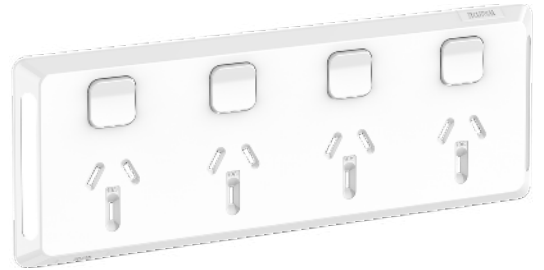
Socket Skins (continued)

P3015-4C

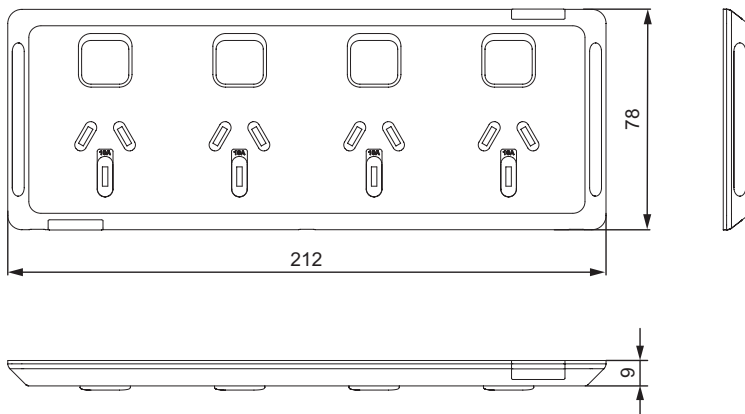
Pro Series - Skin for quad switched socket horizontal 10 A 250 V

| Main | |
|---------------------|--------------------|
| Range | Clipsal Pro Series |
| Product type | Skin |
| Product destination | Switched socket |

| Complementary | |
|---------------------------------------|---|
| Device mounting | Flush |
| Mounted method | Clip-on |
| Colour | White (XW), Black (BK) |
| Surface finish | Gloss |
| Type of packing | Polybag |
| Pack Size | Set of 10 |
| Ambient air temperature for operation | 0...45 °C |
| Relative humidity | 10...95 % |
| Material | Skin : ABS (acrylonitrile butadiene-styrene) Window : PC (polycarbonate) |
| Dimensions (HxWxD) mm | 78x212x9 |
| Product weight | 0.032 kg |



Dimensions (mm)



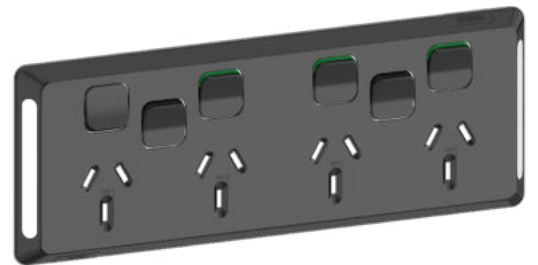
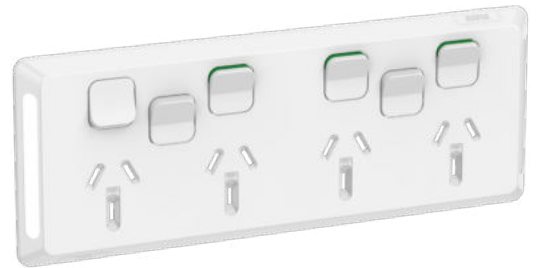
Socket Skins (continued)

P3015-4XXC

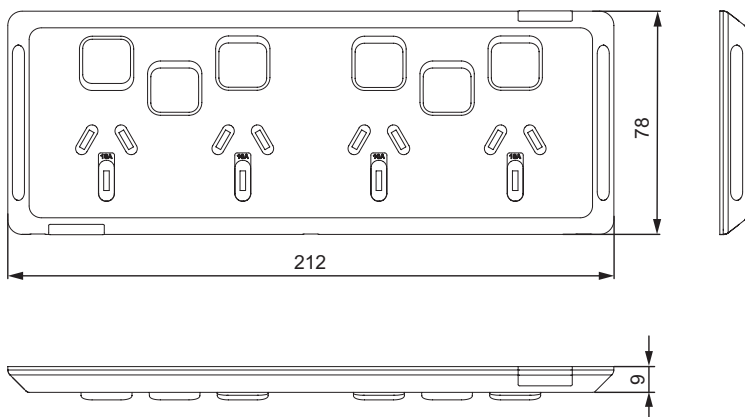
Pro Series - Skin for quad switched socket horizontal 2 extra switch
10 A 250 V

| Main | |
|---------------------------|--------------------|
| Range | Clipsal Pro Series |
| Product or component type | Skin |
| Product destination | Switched socket |

| Complementary | |
|---------------------------------------|---|
| Device mounting | Flush |
| Mounted method | Clip-on |
| Colour | White (XW), Black (BK) |
| Surface finish | Gloss |
| Type of packing | Polybag |
| Pack Size | Set of 10 |
| Ambient air temperature for operation | 0...45 °C |
| Relative humidity | 10...95 % |
| Material | Skin : ABS (acrylonitrile butadiene-styrene) Window : PC (polycarbonate) |
| Dimensions (HxWxD) mm | 78x212x9 |
| Product weight | 0.032 kg |



Dimensions (mm)



Socket Skins (continued)

P3015VC

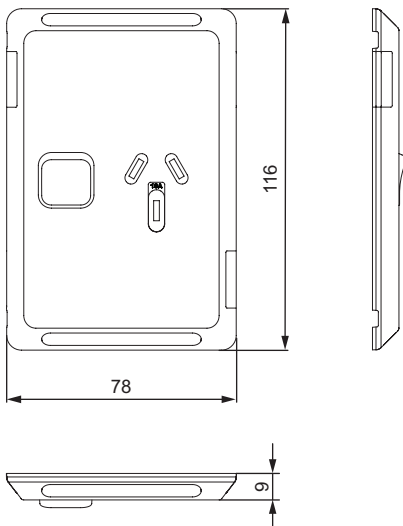
Pro Series - Skin for single switched socket vertical 10 A 250 V

| Main | |
|---------------------|--------------------|
| Range | Clipsal Pro Series |
| Product type | Skin |
| Product destination | Switched socket |

| Complementary | |
|---------------------------------------|---|
| Device mounting | Flush |
| Mounted method | Clip-on |
| Colour | White (XW), Black (BK) |
| Surface finish | Gloss |
| Type of packing | Polybag |
| Pack Size | Set of 20 |
| Ambient air temperature for operation | 0...45 °C |
| Relative humidity | 10...95 % |
| Material | Skin : ABS (acrylonitrile butadiene-styrene) Window : PC (polycarbonate) |
| Dimensions (HxWxD) mm | 116x78x9 |
| Product weight | 0.02 kg |



Dimensions (mm)



Socket Skins (continued)

P3015V15C

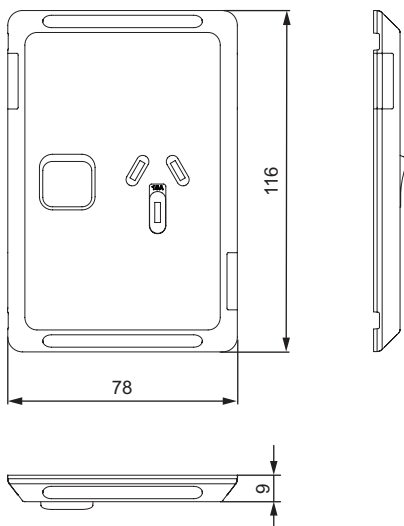
Pro Series – Skin for single switched socket vertical 15 A 250 V

| Main | |
|---------------------|--------------------|
| Range | Clipsal Pro Series |
| Product type | Skin |
| Product destination | Switched socket |

| Complementary | |
|---------------------------------------|---|
| Device mounting | Flush |
| Mounted method | Clip-on |
| Colour | White (XW), Black (BK) |
| Surface finish | Gloss |
| Type of packing | Polybag |
| Pack size | Set of 20 |
| Ambient air temperature for operation | 0...45 °C |
| Relative humidity | 10...95 % |
| Material | Skin : ABS (acrylonitrile butadiene-styrene) Window : PC (polycarbonate) |
| Dimensions (HxWxD) mm | 116x78x9 |
| Product weight | 0.02 kg |



Dimensions (mm)



Socket Skins (continued)

P3025VC

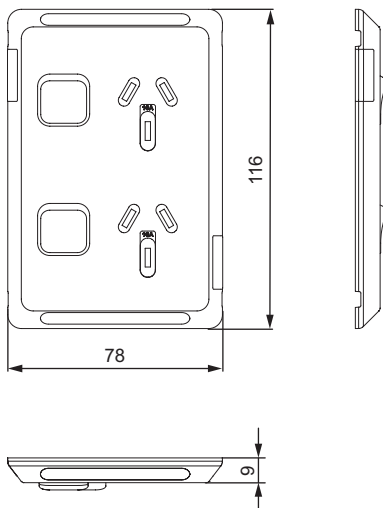
Pro Series - Skin for twin switched socket vertical 10 A 250 V

| Main | |
|---------------------|--------------------|
| Range | Clipsal Pro Series |
| Product type | Skin |
| Product destination | Switched socket |

| Complementary | |
|---------------------------------------|---|
| Device mounting | Flush |
| Mounted method | Clip-on |
| Colour | White (XW), Black (BK), Blue (DB), Red (RD) |
| Surface finish | Gloss |
| Type of packing | Polybag |
| Pack Size | Set of 20 |
| Ambient air temperature for operation | 0...45 °C |
| Relative humidity | 10...95 % |
| Material | Skin : ABS (acrylonitrile butadiene-styrene) Window : PC (polycarbonate) |
| Dimensions (HxWxD) mm | 116x78x9 |
| Product weight | 0.02 kg |



Dimensions (mm)



Socket Skins (continued)

P3025VXC

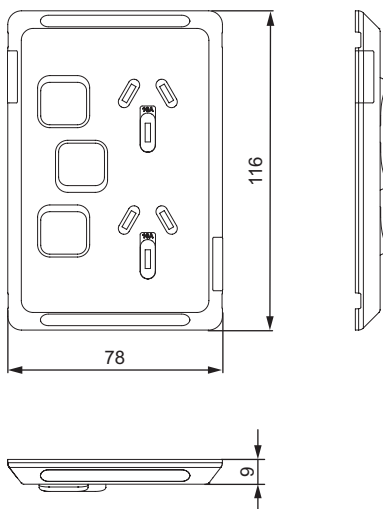
Pro Series - Skin for twin switched socket vertical extra switch
10 A 250 V

| Main | |
|---------------------|--------------------|
| Range | Clipsal Pro Series |
| Product type | Skin |
| Product destination | Switched socket |

| Complementary | |
|---------------------------------------|---|
| Device mounting | Flush |
| Mounted method | Clip-on |
| Colour | White (XW), Black (BK) |
| Surface finish | Gloss |
| Type of packing | Polybag |
| Pack Size | Set of 20 |
| Ambient air temperature for operation | 0...45 °C |
| Relative humidity | 10...95 % |
| Material | Skin : ABS (acrylonitrile butadiene-styrene) Window : PC (polycarbonate) |
| Dimensions (HxWxD) mm | 116x78x9 |
| Product weight | 0.02 kg |



Dimensions (mm)



Socket Skins (continued)

P3025LC

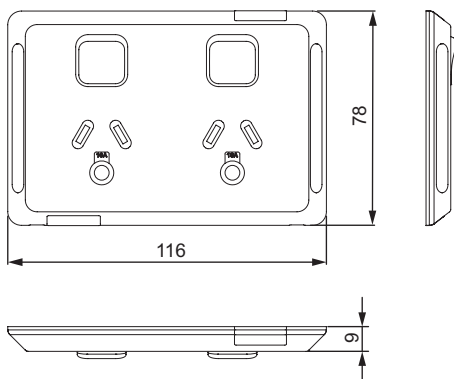
Pro Series – Skin for twin switched socket horizontal round earth pin 10 A 250 V

| Main | |
|---------------------|--------------------|
| Range | Clipsal Pro Series |
| Product type | Skin |
| Device presentation | Switched socket |

| Complementary | |
|---------------------------------------|---|
| Device mounting | Flush |
| Mounted method | Clip-on |
| Colour | White (XW), Black (BK) |
| Surface finish | Gloss |
| Type of packing | Polybag |
| Pack size | Set of 20 |
| Ambient air temperature for operation | 0...45 °C |
| Relative humidity | 10...95 % |
| Material | Skin : ABS (acrylonitrile butadiene-styrene) Window : PC (polycarbonate) |
| Dimensions (HxWxD) mm | 78x116x9 |
| Product weight | 0.02 kg |



Dimensions (mm)



Socket Skins (continued)

P3025PIDC

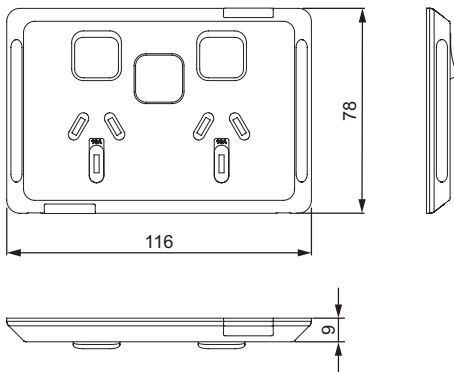
Pro Series – Skin for twin switched socket horizontal
10 A 250 V with power indicator

| Main | |
|---------------------|--------------------|
| Range | Clipsal Pro Series |
| Product type | Skin |
| Product destination | Switched socket |

| Complementary | |
|---------------------------------------|---|
| Device mounting | Flush |
| Mounted method | Clip-on |
| Colour | Black (BK) |
| Surface finish | Gloss |
| Type of packing | Polybag |
| Pack size | Set of 20 |
| Ambient air temperature for operation | 0...45 °C |
| Relative humidity | 10...95 % |
| Material | Skin : ABS (acrylonitrile butadiene-styrene) Window : PC (polycarbonate) |
| Dimensions (HxWxD) mm | 78x116x9 |
| Product weight | 0.018 kg |



Dimensions (mm)



Socket Skins (continued)

P3043HUSBC

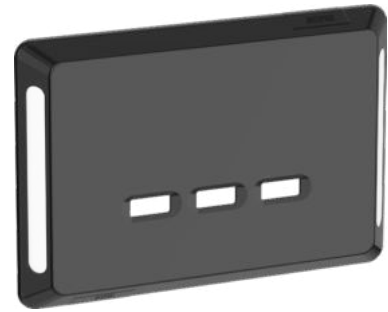
Pro Series – 3 gang USB A charging station

Main

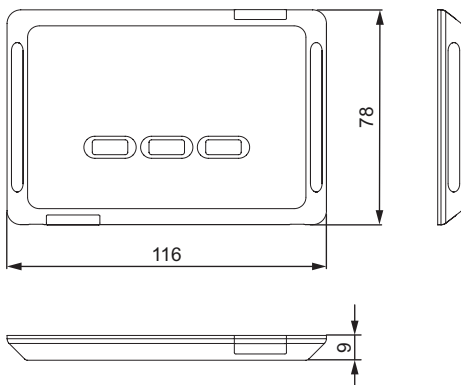
| | |
|---------------------|--------------------|
| Range | Clipsal Pro Series |
| Product type | Skin |
| Product destination | USB charger |

Complementary

| | |
|---------------------------------------|------------|
| Device mounting | Flush |
| Mounted method | Clip-on |
| Colour | Black (BK) |
| Surface finish | Gloss |
| Type of packing | Polybag |
| Pack size | Set of 1 |
| Ambient air temperature for storage | -5...50 °C |
| Ambient air temperature for operation | 0...40 °C |
| Relative humidity | 15...95 % |
| Dimensions (HxWxD) mm | 78x116x9 |
| Product weight | 0.018 kg |



Dimensions (mm)



Mechanisms and Modules

40M

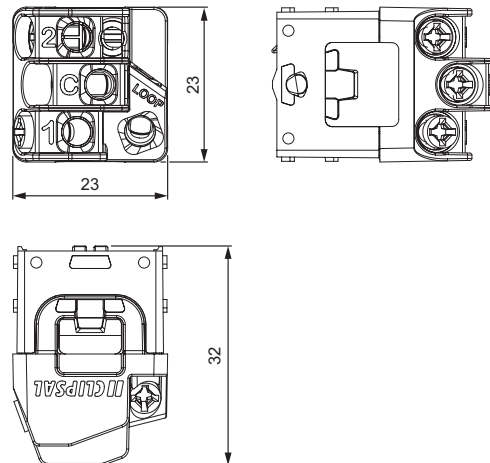
40 Series modules - 1/2 way switch mechanism 10 AX 250 V

| Main | |
|---------------------|------------------------|
| Range | 40 Series modules |
| Product type | Switch mechanism |
| Device presentation | Mechanism |
| Included equipment | Switch |
| Device application | Lighting |
| Mounted method | Locking bar |
| Type of packing | Polybag |
| Pack Size | Set of 20 |
| Electrical Rating | 10 AX - 250 Vac, 50 Hz |



| Complementary | |
|---------------------------------------|--|
| Switch function | 1/2-way |
| Ambient air temperature for storage | 0...60 °C |
| Motor M-rating AS3133 | M80 |
| Load type | Inductive, Light, Fluorescent lamp, and LED |
| Ambient air temperature for operation | 0...45 °C |
| Relative humidity | 10...95 % |
| Electrical durability | 20,000 operations @ 10 A, conforming to AS/NZS 60669 |
| Connections - terminals | 4 x screw terminals |
| Screwdriver shape | Philips (No 2); Square drive No 1 (SQ1) |
| Cable size capacity | 4 x 1.5 mm ² ; 3 x 2.5 mm ² |
| Wire stripping length | 10 mm |
| Material | Housing : PC (polycarbonate); PA66 (polyamide) |
| Dimensions (HxWxD) mm | 23x23x32 |
| Product weight | 0.015 kg |

Dimensions (mm)



| Environment | |
|------------------------|-----|
| Product certifications | RCM |

Mechanisms and Modules (continued)

40USM

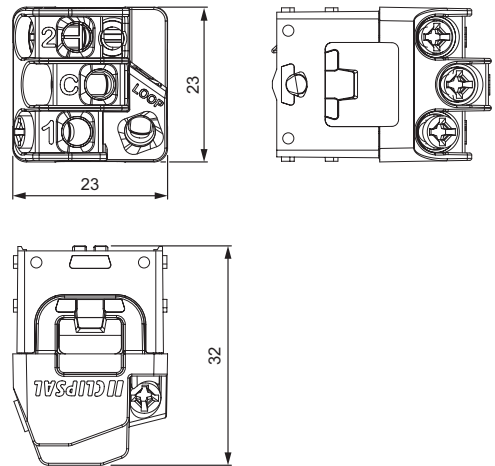
40 Series modules - 1/2 way switch mechanism 20 A - 16 AX 250 V

| Main | |
|---------------------|-----------------------------|
| Range | 40 Series modules |
| Product type | Switch mechanism |
| Device presentation | Mechanism |
| Included equipment | Switch |
| Device application | Lighting |
| Mounted method | Locking bar |
| Type of packing | Polybag |
| Pack Size | Set of 20 |
| Electrical Rating | 20 A - 16 AX, 250 Vac 50 Hz |



| Complementary | |
|---------------------------------------|--|
| Switch function | 1/2-way |
| Ambient air temperature for storage | 0...60 °C |
| Motor M-rating AS3133 | M80 |
| Load type | Inductive, Light, Fluorescent lamp, and LED |
| Ambient air temperature for operation | 0...45 °C |
| Relative humidity | 10...95 % |
| Electrical durability | 10,000 operations @ 20 A, conforming to AS/NZS 60669 |
| Connections - terminals | 4 x screw terminals |
| Screwdriver shape | Philips (No 2); Square drive No 1 (SQ1) |
| Cable size capacity | 4 x 1.5 mm ² ; 3 x 2.5 mm ² |
| Wire stripping length | 10 mm |
| Material | Housing : PC (polycarbonate); PA66 (polyamide) |
| Dimensions (HxWxD) mm | 23x23x32 |
| Product weight | 0.016 kg |

Dimensions (mm)



| Environment | |
|------------------------|-----|
| Product certifications | RCM |

Mechanisms and Modules (continued)

P40MBPR

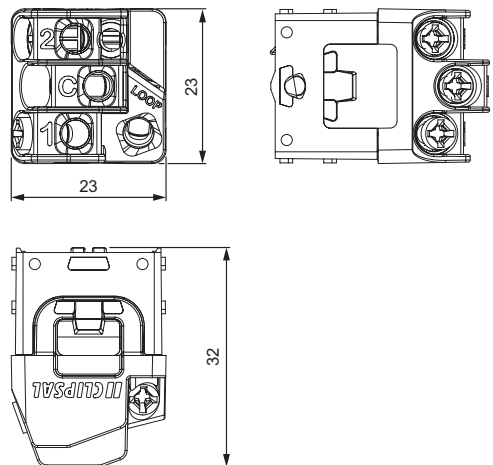
40 Series modules - Bell press return switch mechanism 10 AX 250 V

| Main | |
|---------------------|------------------------|
| Range | 40 Series modules |
| Product type | Switch mechanism |
| Device presentation | Mechanism |
| Included equipment | Switch |
| Device application | Bell Press |
| Mounted method | Locking bar |
| Type of packing | Polybag |
| Pack Size | Set of 20 |
| Electrical Rating | 10 AX - 250 Vac, 50 Hz |



| Complementary | |
|---------------------------------------|--|
| Switch function | 1-pole 1 x NO / 1 x NC contacts |
| Ambient air temperature for storage | 0...60 °C |
| Motor M-rating AS3133 | M80 |
| Load type | Inductive, Light, and Fluorescent lamp |
| Ambient air temperature for operation | 0...45 °C |
| Relative humidity | 10...95 % |
| Electrical durability | 20000 cycles, conforming to AS/NZS 60669 |
| Connections - terminals | 4 x screw terminals |
| Screwdriver shape | Philips (No 2); Square drive No 1 (SQ1) |
| Cable size capacity | 4 x 1.5mm ² , 3 x 2.5mm ² and 1 x 4mm ² |
| Wire stripping length | 10 mm |
| Material | Housing : PC (polycarbonate); PA66 (polyamide) |
| Marking | Press |
| Dimensions (HxWxD) mm | 23x23x32 |
| Product weight | 0.016 kg |

Dimensions (mm)



| Environment | |
|------------------------|-----|
| Product certifications | RCM |

Mechanisms and Modules (continued)

P40M32COOK

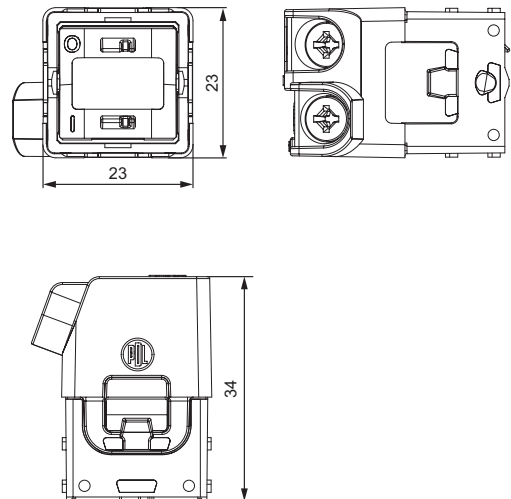
40 Series modules - 1 way switch mechanism labelled COOKER
32 A 250 V

| Main | |
|---------------------|-----------------------|
| Range | 40 Series modules |
| Product type | Switch mechanism |
| Device presentation | Mechanism with rocker |
| Included equipment | Switch and Rocker |
| Device application | Cooking appliances |
| Mounted method | Locking bar |
| Colour | White (XW) |
| Type of packing | Polybag |
| Pack Size | Set of 20 |
| Electrical Rating | 32 A - 250 Vac, 50 Hz |



| Complementary | |
|---------------------------------------|---|
| Switch function | 1-way |
| Actuator | Rocker |
| Marking | Cooker |
| Surface finish | Gloss |
| Surface treatment | Untreated |
| Ambient air temperature for storage | 0...60 °C |
| Motor M-rating AS3133 | M100 |
| Load type | Inductive |
| Ambient air temperature for operation | 0...45 °C |
| Relative humidity | 10...95 % |
| Electrical durability | 10,000 operations @ 32 A, conforming to AS/NZS 60669 |
| Connections - terminals | 2 x screw terminals |
| Screwdriver shape | Philips (No 2); Square drive No 1 (SQ1) |
| Cable size capacity | 4 x 1.5mm ² , 3 x 2.5mm ² and 1 x 4mm ² |
| Wire stripping length | 10 mm |
| Material | Housing : PC (polycarbonate); PA66 (polyamide) Dolly : PC (polycarbonate) Dolly : ABS (acrylonitrile butadiene-styrene) |
| Dimensions (HxWxD) mm | 23x23x34 |
| Product weight | 0.016 kg |

Dimensions (mm)



| Environment | |
|------------------------|-----|
| Product certifications | RCM |

Mechanisms and Modules (continued)

P40MD10

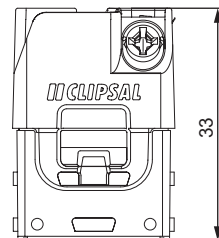
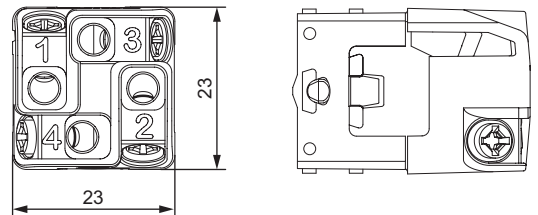
40 Series modules - Switch mechanism double pole 10 AX 250 V

| Main | |
|---------------------|---|
| Range | 40 Series modules |
| Product type | Switch mechanism |
| Device presentation | Mechanism with rocker |
| Included equipment | Switch |
| Device application | Lighting, Appliances, and Small motor loads |
| Mounted method | Locking bar |
| Type of packing | Polybag |
| Pack Size | Set of 20 |
| Electrical Rating | 10 AX - 250 Vac, 50 Hz |



| Complementary | |
|---------------------------------------|--|
| Switch function | 2-pole 1-way |
| Surface finish | Gloss |
| Surface treatment | Untreated |
| Ambient air temperature for storage | 0...60 °C |
| Motor M-rating AS3133 | M100 |
| Load type | Inductive, Light and Fluorescent lamp |
| Ambient air temperature for operation | 0...45 °C |
| Relative humidity | 10...95 % |
| Electrical durability | 40,000 operations @ 10 A, conforming to AS/NZS 60669 |
| Connections - terminals | 4 x screw terminals |
| Screwdriver shape | Philips (No 2); Square drive No 1 (SQ1) |
| Cable size capacity | 4 x 1.5mm ² , 3 x 2.5mm ² and 1 x 4mm ² |
| Wire stripping length | 10 mm |
| Material | Housing : PC (polycarbonate); PA66 (polyamide) |
| Dimensions (HxWxD) mm | 23x23x33 |
| Product weight | 0.016 kg |

Dimensions (mm)



| Environment | |
|------------------------|-----|
| Product certifications | RCM |

Mechanisms and Modules (continued)

P40MD20

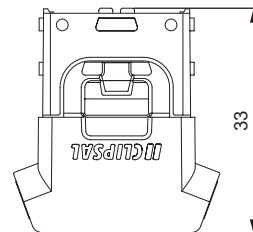
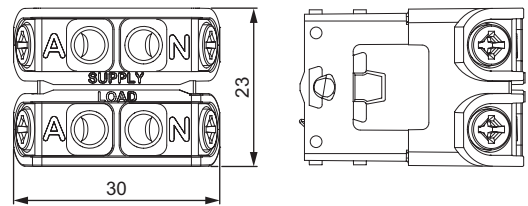
40 Series modules - Switch mechanism double pole 20 AX 250 V

| Main | |
|---------------------|---|
| Range | 40 Series modules |
| Product type | Switch mechanism |
| Device presentation | Mechanism with rocker |
| Included equipment | Switch |
| Device application | Lighting, Appliances, and Small motor loads |
| Mounted method | Locking bar |
| Type of packing | Polybag |
| Pack Size | Set of 20 |
| Electrical Rating | 20 AX - 250 Vac, 50 Hz |



| Complementary | |
|---------------------------------------|--|
| Switch function | 2-pole 1-way |
| Surface finish | Gloss |
| Surface treatment | Untreated |
| Ambient air temperature for storage | 0...60 °C |
| Motor M-rating AS3133 | M100 |
| Load type | Inductive, Light and Fluorescent lamp |
| Ambient air temperature for operation | 0...45 °C |
| Relative humidity | 10...95 % |
| Electrical durability | 10,000 operations @ 20 A, conforming to AS/NZS 60669 |
| Connections - terminals | 4 x screw terminals |
| Screwdriver shape | Philips (No 2); Square drive No 1 (SQ1) |
| Cable size capacity | 4 x 1.5mm ² , 3 x 2.5mm ² and 1 x 4mm ² |
| Wire stripping length | 10 mm |
| Material | Housing : PC (polycarbonate); PA66 (polyamide) |
| Dimensions (HxWxD) mm | 23x30x33 |
| Product weight | 0.016 kg |

Dimensions (mm)



| Environment | |
|------------------------|-----|
| Product certifications | RCM |

Mechanisms and Modules (continued)

40MI

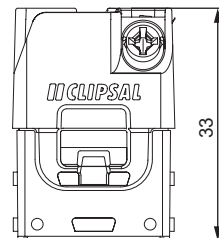
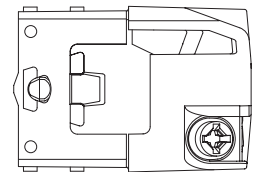
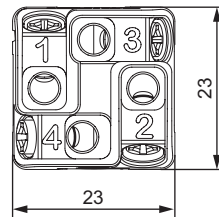
40 Series modules - Switch mechanism intermediate 10 AX 250 V

| Main | |
|---------------------|------------------------|
| Range | 40 Series modules |
| Product type | Switch mechanism |
| Device presentation | Mechanism |
| Included equipment | Switch |
| Device application | Lighting |
| Mounted method | Locking bar |
| Type of packing | Polybag |
| Pack Size | Set of 20 |
| Electrical Rating | 10 AX - 250 Vac, 50 Hz |



| Complementary | |
|---------------------------------------|--|
| Switch function | Intermediate |
| Ambient air temperature for storage | 0...60 °C |
| Load type | Inductive and Light |
| Ambient air temperature for operation | 0...45 °C |
| Relative humidity | 10...95 % |
| Electrical durability | 40,000 operations @ 10 A, conforming to AS/NZS 60669 |
| Connections - terminals | 4 x screw terminals |
| Screwdriver shape | Philips (No 2); Square drive No 1 (SQ1) |
| Cable size capacity | 4 x 1.5 mm ² ; 3 x 2.5 mm ² |
| Wire stripping length | 10 mm |
| Material | Housing : PC (polycarbonate); PA66 (polyamide) |
| Dimensions (HxWxD) mm | 23x23x33 |
| Product weight | 0.015 kg |

Dimensions (mm)



| Environment | |
|------------------------|-----|
| Product certifications | RCM |

Mechanisms and Modules (continued)

P40RSM3

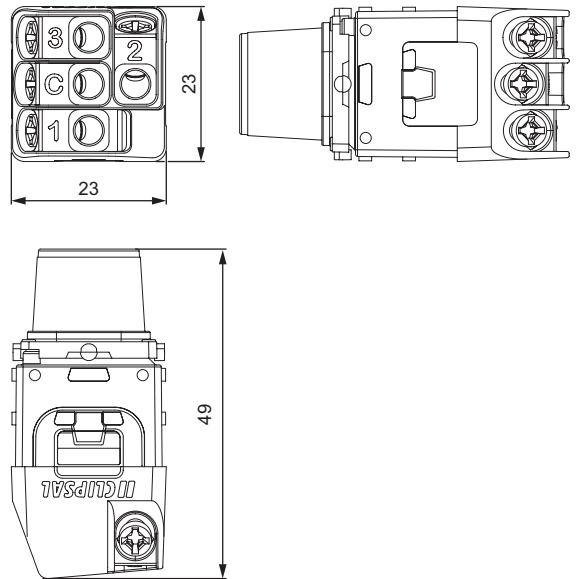
40 Series modules - Switch mechanism 4 position rotary labelled 0-1-2-3 10 A 250 V

| Main | |
|---------------------|---|
| Range | 40 Series modules |
| Product type | Switch mechanism |
| Device presentation | Mechanism with Knob |
| Included equipment | Switch, Knob, Carrier labelled with switch position |
| Device application | Small appliances |
| Mounted method | Locking bar |
| Colour | White (XW) |
| Type of packing | Polybag |
| Pack Size | Set of 20 |
| Electrical Rating | 10 A - 250 Vac, 50 Hz |



| Complementary | |
|---------------------------------------|---|
| Switch function | 4 positions |
| Control type | Rotary Knob |
| Actuator | Rotary |
| Marking | 0 - 1 - 2 - 3 |
| Surface finish | Gloss |
| Surface treatment | Untreated |
| Ambient air temperature for storage | 0...60 °C |
| Motor M-rating AS3133 | M40 |
| Load type | Inductive and Motor |
| Ambient air temperature for operation | 0...45 °C |
| Relative humidity | 10...95 % |
| Electrical durability | 12,000 operating cycles @ 10 A, conforming to AS/NZS 3133 |
| Connections - terminals | 4 x screw terminals |
| Screwdriver shape | Philips (No 2); Square drive No 1 (SQ1) |
| Cable size capacity | 4 x 1.5 mm ² ; 3 x 2.5 mm ² |
| Wire stripping length | 10 mm |
| Material | Housing : PC (polycarbonate); PA66 (polyamide) Knob : PC (polycarbonate) Knob cap : ABS (acrylonitrile butadiene-styrene) |
| Dimensions (HxWxD) mm | 23x23x49 |
| Product weight | 0.019 kg |

Dimensions (mm)



| Environment | |
|------------------------|-----|
| Product certifications | RCM |

Mechanisms and Modules (continued)

P40RSM2

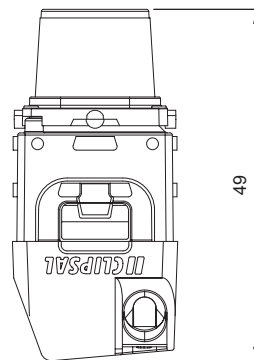
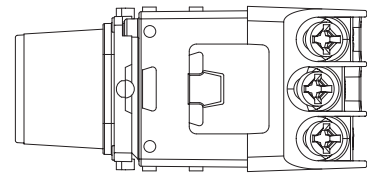
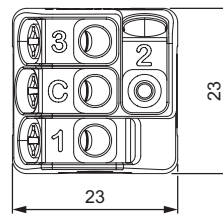
40 Series modules - Switch mechanism 4 position rotary labelled
0-1-0-2 10 A 250 V

| Main | |
|---------------------|---|
| Range | 40 Series modules |
| Product type | Switch mechanism |
| Device presentation | Mechanism with Knob |
| Included equipment | Switch, Knob, Carrier labelled with switch position |
| Device application | Lighting |
| Mounted method | Locking bar |
| Colour | White (XW) |
| Type of packing | Polybag |
| Pack Size | Set of 20 |
| Electrical Rating | 10 A - 250 Vac, 50 Hz |



| Complementary | |
|---------------------------------------|---|
| Switch function | 4 positions |
| Control type | Rotary Knob |
| Actuator | Rotary |
| Marking | 0 - 1 - 0 - 2 |
| Surface finish | Gloss |
| Surface treatment | Untreated |
| Ambient air temperature for storage | 0...60 °C |
| Motor M-rating AS3133 | M40 |
| Load type | Inductive and Motor |
| Ambient air temperature for operation | 0...45 °C |
| Relative humidity | 10...95 % |
| Electrical durability | 12,000 operating cycles @ 10 A, conforming to AS/NZS 3133 |
| Connections - terminals | 4 x screw terminals |
| Screwdriver shape | Philips (No 2); Square drive No 1 (SQ1) |
| Cable size capacity | 4 x 1.5 mm ² ; 3 x 2.5 mm ² |
| Wire stripping length | 10 mm |
| Material | Housing : PC (polycarbonate); PA66 (polyamide) Knob : PC (polycarbonate) Knob cap : ABS (acrylonitrile butadiene-styrene) |
| Dimensions (HxWxD) mm | 23x23x49 |
| Product weight | 0.019 kg |

Dimensions (mm)



| Environment | |
|------------------------|-----|
| Product certifications | RCM |

Mechanisms and Modules (continued)

P49M

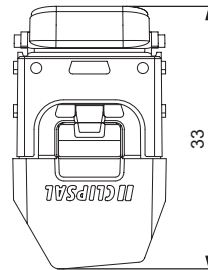
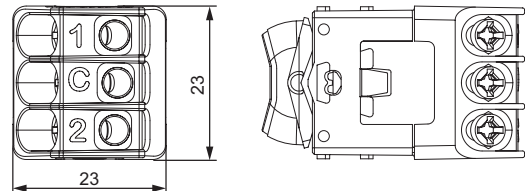
40 Series modules - Switch mechanism 3 position 10 AX 250 V

| Main | |
|---------------------|------------------------|
| Range | 40 Series modules |
| Product type | Switch mechanism |
| Device presentation | Mechanism with rocker |
| Included equipment | Switch and Rocker |
| Device application | Lighting |
| Mounted method | Locking bar |
| Colour | White (XW) |
| Type of packing | Polybag |
| Pack Size | Set of 20 |
| Electrical Rating | 10 AX - 250 Vac, 50 Hz |

| Complementary | |
|---------------------------------------|---|
| Switch function | 3 positions |
| Control type | Rocker |
| Actuator | Rocker |
| Surface finish | Gloss |
| Surface treatment | Untreated |
| Ambient air temperature for storage | 0...60 °C |
| Motor M-rating AS3133 | M40 |
| Load type | Inductive and Light |
| Ambient air temperature for operation | 0...45 °C |
| Relative humidity | 10...95 % |
| Electrical durability | 40,000 operations @ 10 A, conforming to AS/NZS 60669 |
| Connections - terminals | 3 x screw terminals |
| Screwdriver shape | Philips (No 2); Square drive No 1 (SQ1) |
| Cable size capacity | 4 x 1.5 mm ² ; 3 x 2.5 mm ² |
| Wire stripping length | 10 mm |
| Material | Housing : PC (polycarbonate); PA66 (polyamide) Rocker : PC (polycarbonate) Rocker : ABS (acrylonitrile butadiene-styrene) |
| Dimensions (HxWxD) mm | 23x23x33 |
| Product weight | 0.017 kg |



Dimensions (mm)



| Environment | |
|------------------------|-----|
| Product certifications | RCM |

Mechanisms and Modules (continued)

P49MBPR

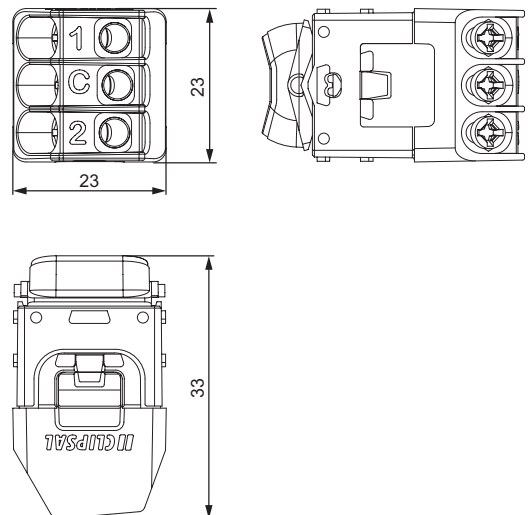
40 Series modules - Switch mechanism momentary Bell Press 3 position 10 A 250 V

| Main | |
|---------------------|-----------------------------|
| Range | Clipsal Pro Series |
| Product type | Switch mechanism |
| Device presentation | Mechanism with rocker |
| Included equipment | Switch, Rocker |
| Device application | Blind / Roller door control |
| Mounted method | Locking bar |
| Colour | White (XW) |
| Type of packing | Polybag |
| Pack Size | Set of 20 |
| Electrical Rating | 10 A - 250 Vac, 50 Hz |



| Complementary | |
|---------------------------------------|--|
| Switch function | 3 positions |
| Control type | Rocker |
| Actuator | Rocker |
| Surface finish | Gloss |
| Surface treatment | Untreated |
| Ambient air temperature for storage | 0...60 °C |
| Motor M-rating AS3133 | M40 |
| Load type | Inductive and Light |
| Ambient air temperature for operation | 0...45 °C |
| Relative humidity | 10...95 % |
| Electrical durability | 40,000 operations @ 10 A, conforming to AS/NZS 60669 |
| Connections - terminals | 4 x screw terminals |
| Screwdriver shape | Philips (No 2); Square drive No 1 (SQ1) |
| Cable size capacity | 4 x 1.5 mm ² ; 3 x 2.5 mm ² |
| Wire stripping length | 10 mm |
| Material | Housing : PC (polycarbonate); PA66 (polyamide) |
| Dimensions (HxWxD) mm | 23x23x33 |
| Product weight | 0.017 kg |

Dimensions (mm)



| Environment | |
|------------------------|-----|
| Product certifications | RCM |

Mechanisms and Modules (continued)

P40CSFM

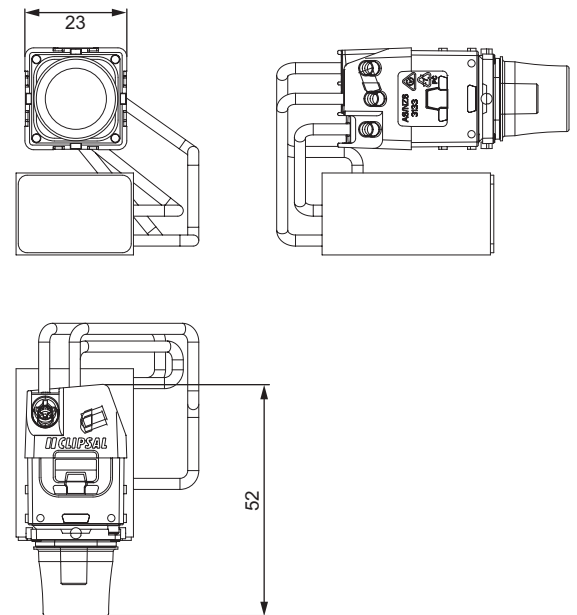
Pro Series - 4 position rotary switch mechanism plus capacitor
10 A 250 V

| Main | |
|---------------------|-------------------------|
| Range | Clipsal Pro Series |
| Product type | Switch mechanism |
| Device presentation | Mechanism |
| Included equipment | Capacitor, Switch, Knob |
| Device application | Fan speed controller |
| Mounted method | Locking bar |
| Colour | White (XW) |
| Type of packing | Polybag |
| Pack Size | Set of 20 |
| Electrical Rating | 75 VA - 250 Vac, 50 Hz |



| Complementary | |
|---------------------------------------|---|
| Switch function | 4 positions |
| Control type | Rotary Knob |
| Actuator | Rotary |
| Marking | 0 - 1 - 2 - 3 |
| Surface finish | Gloss |
| Surface treatment | Untreated |
| Ambient air temperature for storage | 0...60 °C |
| Motor M-rating AS3133 | M40 |
| Load type | 75 VA |
| Ambient air temperature for operation | 0...45 °C |
| Relative humidity | 10...95 % |
| Electrical durability | 12,000 operating cycles @ 10A, conforming to AS/NZS 3133 |
| Connections - terminals | 4 x screw terminals |
| Screwdriver shape | Philips (No 2); Square drive No 1 (SQ1) |
| Cable size capacity | 4 x 1.5 mm ² ; 3 x 2.5 mm ² |
| Wire stripping length | 10 mm |
| Material | Housing : PC (polycarbonate); PA66 (polyamide) Knob : PC (polycarbonate) Knob cap : ABS (acrylonitrile butadiene-styrene) |
| Dimensions (HxWxD) mm | 23x23x52 |
| Product weight | 0.048 kg |

Dimensions (mm)



| Environment | |
|------------------------|-----|
| Product certifications | RCM |

Mechanisms and Modules (continued)

P40MLEDBW

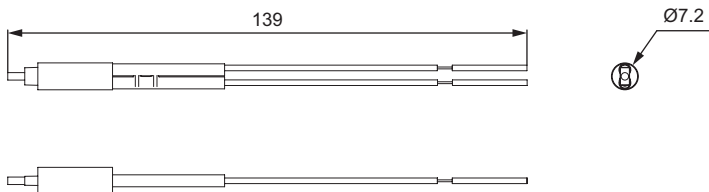
40 Series modules - Plug-in LED indicator for 2 way switches 250 V

| Main | |
|-------------------------------|------------------------|
| Range | Clipsal Pro Series |
| Product or component type | Accessory |
| LED colour | Bright white |
| Colour | White (XW), Black (BK) |
| Quantity per set | Set of 10 |
| Sale per indivisible quantity | 10 |

| Complementary | |
|------------------------|---------------------------------------|
| Product destination | Signalling device |
| Power consumption in W | 60 mW |
| Rated voltage | 250 V, current consumption : 0.002 mA |
| Dimensions (HxWxD) mm | 23x23x32 |
| Product weight | 0.01 kg |



Dimensions (mm)



Mechanisms and Modules (continued)

40N

40 Series modules – Module LED Power Indicator

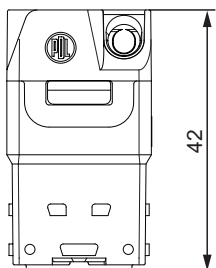
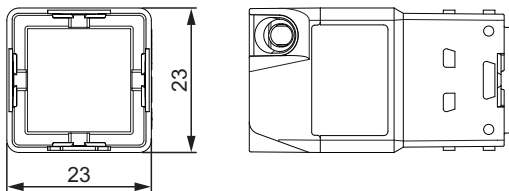
| Main | |
|---------------------|----------------------------------|
| Range | 40 series modules |
| Product type | Power indicator |
| Device presentation | Module |
| Device application | Indicator |
| Mounted method | Locking bar |
| Colour | Red (RD), Green (GR), Amber (AM) |
| Type of packing | Polybag |
| Pack Size | Set of 20 |
| Electrical Rating | 250 V AC |

| Complementary | |
|-------------------------|---|
| Connections - terminals | 4 x screw terminals |
| Screwdriver shape | Philips (No 2); Square drive No 1 (SQ1) |
| Current | 2 x 11 mA |
| Power | 2 x 2.5 W |
| Cable size capacity | 4 x 1.5 mm ² ; 3 x 2.5 mm ² |
| Wire stripping length | 10 mm |
| Material | Housing : PC (polycarbonate); PA66 (polyamide) Lens : PC (polycarbonate) Lens : ABS (acrylonitrile butadiene-styrene) |
| Dimensions (HxWxD) mm | 23x23x42 |
| Product weight | 0.016 kg |

| Environment | |
|------------------------|-----|
| Product certifications | RCM |



Dimensions (mm)



Mechanisms and Modules (continued)

40N24

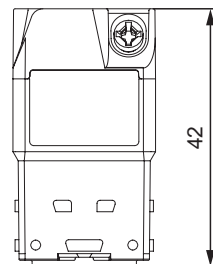
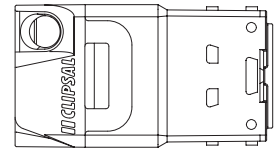
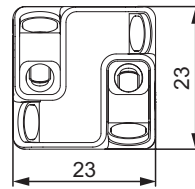
Mech LED Power Available Green 24 V

| Main | |
|---------------------|------------------------------|
| Range | Clipsal Pro Series |
| Product type | Indicator module |
| Device presentation | Mechanism with central plate |
| Colour | Green (GR) |
| Type of packing | Polybag |



| Complementary | |
|--------------------------------|--|
| Device mounting | Clip with locking bar |
| Current | 11 mA |
| Power | 0.3 W |
| [Ue] rated operational voltage | 24 V AC/DC |
| Local signalling | LED |
| Surface treatment | Untreated |
| Material | Housing: PC (polycarbonate) Housing: PA66 |
| Dimensions (HxWxD) mm | 23x23x32 |
| Product weight | 0.016 kg |

Dimensions (mm)



| Environment | |
|------------------------|--|
| Product certifications | |

Mechanisms and Modules (continued)

40NPA

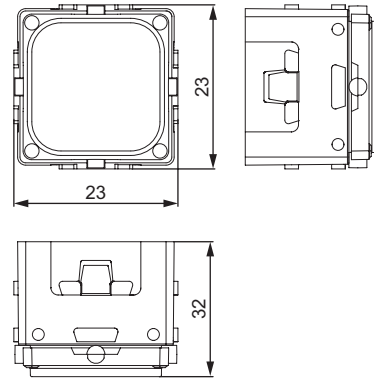
Mech LED Marked Power Available Amber

| Main | |
|---------------------|------------------------------|
| Range | Clipsal Pro Series |
| Product type | Indicator module |
| Device presentation | Mechanism with central plate |
| Colour | Amber (AM) |
| Type of packing | Polybag |



| Complementary | |
|--------------------------------|--|
| Device mounting | Clip with locking bar |
| Current | 11 mA |
| Power | 2.5 W |
| [Ue] rated operational voltage | 240 V AC |
| Local signalling | LED |
| Surface treatment | Untreated |
| Material | Housing: PC (polycarbonate) Housing: PA66 |
| Dimensions (HxWxD) mm | 23x23x32 |
| Product weight | 0.016 kg |

Dimensions (mm)



| Environment | |
|------------------------|--|
| Product certifications | |

Electronic Accessories

P41E10PBSWM

Connected switch (10 A)

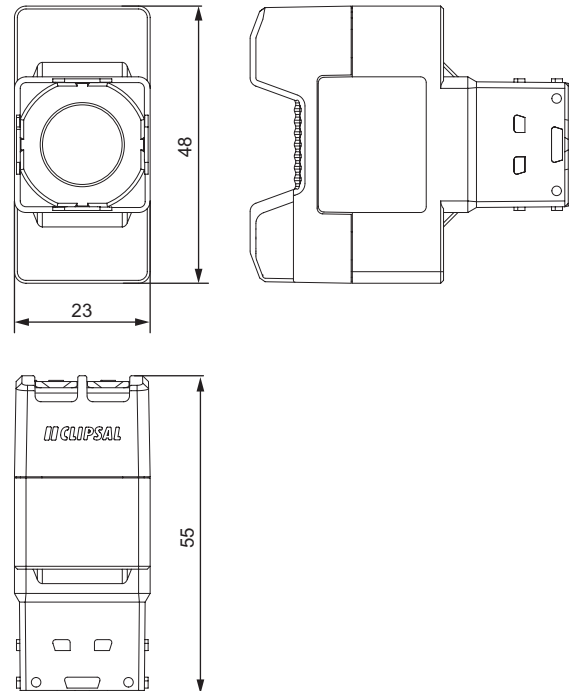
| Main | |
|---------------------|------------------------------|
| Range | Clipsal Pro Series |
| Product type | Electronic switch |
| Device presentation | Mechanism with central plate |
| Control type | Rocker |
| Colour | White (XW) |
| Type of packing | Polybag |
| Quantity per set | Set of 6 |
| Rated current | 10 A |



| Complementary | |
|---------------------------------------|---|
| [Ue] rated operational voltage | 240 V |
| Surface finish | Gloss |
| Surface treatment | Untreated |
| Fixing mode | By clips |
| Ambient air temperature for operation | 0-45 °C |
| Relative humidity | 10-95 % |
| Connections - terminals | Screw terminal |
| Clamping connection capacity | 1 x 1.5...4 x 1.5 mm ² ; 3 x 2.5 mm ² and 1 x 4 mm ² |
| Material | PC (polycarbonate); PA66; ABS (acrylonitrile butadiene-styrene) |
| Dimensions (HxWxD) mm | 23x23x33 |
| Product weight | 0.016 kg |

| Environment | |
|------------------------|-----|
| Product certifications | RCM |

Dimensions (mm)



Electronic accessories (continued)

P41EPBDWCLM

Connected Push-Button Dimmer

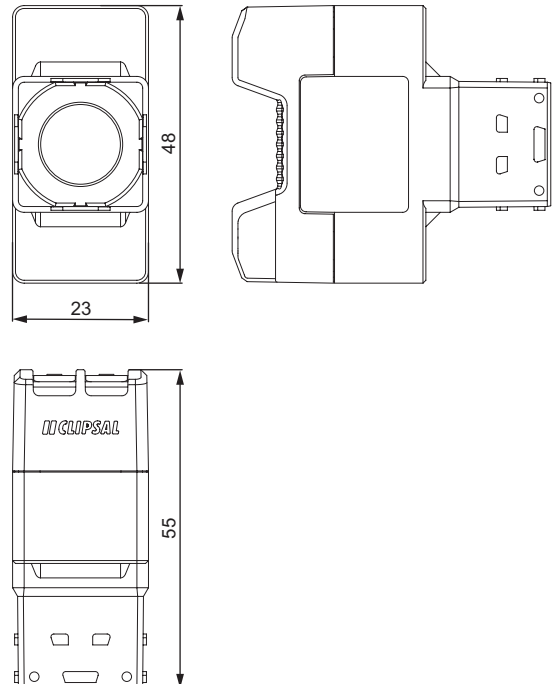
| Main | |
|---------------------|--------------------------|
| Range | Clipsal Pro Series |
| Product type | Dimmer |
| Device presentation | Mechanism |
| Dimmer type | Universal |
| Control type | Push-button; ControlLink |
| Colour | White (XW) |
| Type of packing | Box |

| Complementary | |
|---------------------------------------|---|
| Surface finish | Gloss |
| Fixing mode | Clip-in |
| Protection type | Short-circuit |
| Ambient air temperature for storage | 5-40 °C |
| Ambient air temperature for operation | 5-40 °C |
| Relative humidity | 5-90 % |
| Connections - terminals | Screw terminal |
| Clamping connection capacity | 1.5...2.5 mm ² ; 1.5...2.5 mm ² |
| Material | PC (polycarbonate) GF10 FR; Metal |
| Dimensions (HxWxD) mm | 22x48x66 |
| Product weight | 0.05 kg |

| Environment | |
|------------------------|-----|
| Product certifications | RCM |



Dimensions (mm)



Electronic accessories (continued)

P41E300PBUD2SM

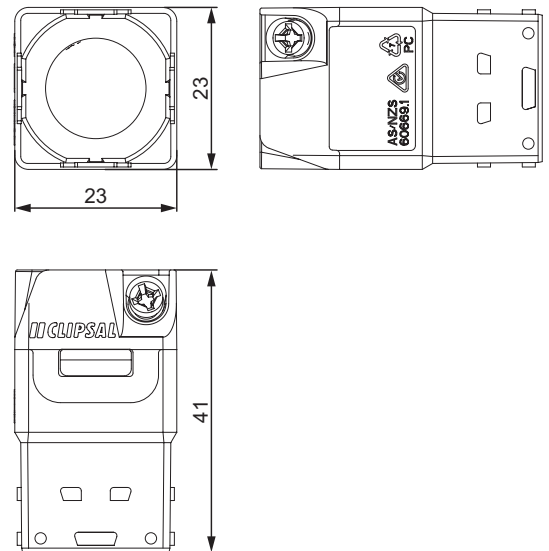
PB Dimmer with CTL

| Main | |
|---------------------|--------------------------|
| Range | Clipsal Pro Series |
| Product type | Dimmer |
| Device presentation | Mechanism |
| Dimmer type | Universal |
| Control type | Push-button; ControlLink |
| Colour | White (XW) |
| Type of packing | Box |



| Complementary | |
|---------------------------------------|---|
| Surface finish | Gloss |
| Fixing mode | Clip-in |
| [Ue] rated operational voltage | 220...240 Vac, 50 Hz |
| Protection type | Short-circuit |
| Load type | Dimmable LED; Low voltage halogen lamp with iron core transformer; Incandescent |
| Ambient air temperature for storage | 0-60 °C |
| Ambient air temperature for operation | 0-45 °C |
| Relative humidity | 5-90 % |
| Connections - terminals | Screw terminal |
| Clamping connection capacity | 3 x 1.5 mm ² |
| Material | |
| Dimensions (HxWxD) mm | 23x23x41 |
| Product weight | 0.05 kg |

Dimensions (mm)



| Environment | |
|------------------------|-----|
| Product certifications | RCM |

Electronic accessories (continued)

P41EPBCLM

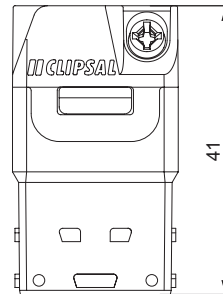
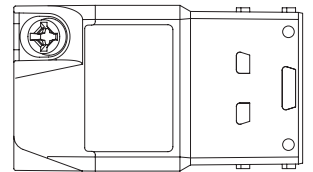
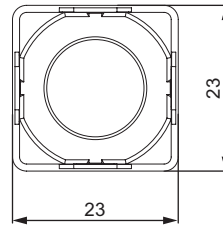
Smart PB remote mech with CTL and LED

| Main | |
|---------------------|------------------------------|
| Range | Clipsal Pro Series |
| Product type | Remote control auxiliary |
| Device presentation | Mechanism with central plate |
| Control type | Push-button |
| Colour | White (XW) |
| Type of packing | Polybag |
| Quantity per set | Set of 6 |
| Rated current | 10 A |



| Complementary | |
|---------------------------------------|---|
| Switch function | Remote switch function |
| [Ue] rated operational voltage | 240 V |
| Surface finish | Gloss |
| Surface treatment | Untreated |
| Fixing mode | By clips |
| Ambient air temperature for operation | 0-45 °C |
| Relative humidity | 10-95 % |
| Connections - terminals | Screw terminal |
| Clamping connection capacity | 1 x 1.5...4 x 1.5 mm ² ; 3 x 2.5 mm ² and 1 x 4 mm ² |
| Material | PC (polycarbonate); PA66; ABS (acrylonitrile butadiene-styrene) |
| Dimensions (HxWxD) mm | 23x23x32 |
| Product weight | 0.016 kg |

Dimensions (mm)



| Environment | |
|------------------------|-----|
| Product certifications | RCM |

Electronic accessories (continued)

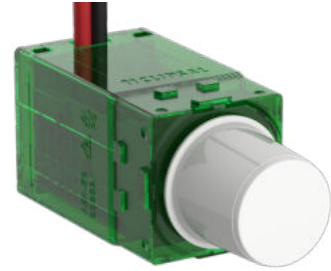
P42E350RLD2M

Rotary Dimmer

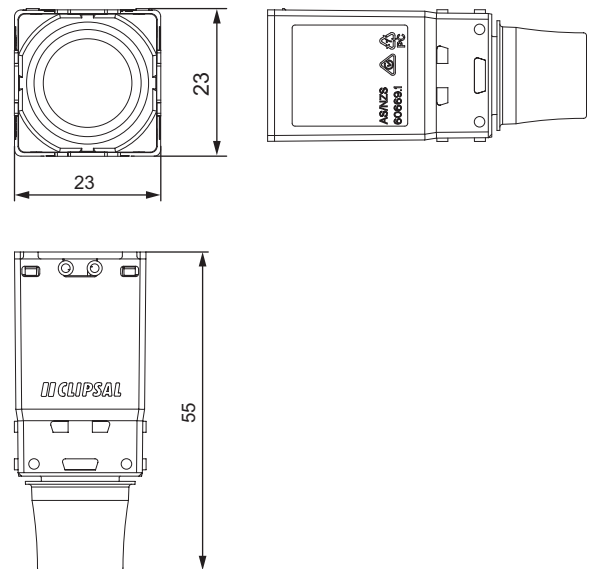
| Main | |
|---------------------|--------------------|
| Range | Clipsal Pro Series |
| Product type | Dimmer |
| Device presentation | Mechanism |
| Dimmer type | Universal |
| Control type | Rotary knob |
| Colour | White (XW) |
| Type of packing | Box |

| Complementary | |
|---------------------------------------|---|
| Surface finish | Gloss |
| Fixing mode | Clip-in |
| [Ue] rated operational voltage | 220...240 Vac, 50 Hz |
| Protection type | Short-circuit |
| Load type | Dimmable LED; Incandescent; low voltage halogen lamp with electronic transformer; dimmable fluocompact lamp; dimmable fluorescent |
| Ambient air temperature for storage | 0-60 °C |
| Ambient air temperature for operation | 0-45 °C |
| Relative humidity | 0-90 % |
| Connections - terminals | Flying leads |
| Clamping connection capacity | 3 x 1.5 mm ² |
| Local signalling | LED |
| Material | PC (UL94 V-2); PC MAS056 (UL94 V-2) |
| Dimensions (HxWxD) mm | 23x23x39 |
| Product weight | 0.05 kg |

| Environment | |
|------------------------|-----|
| Product certifications | RCM |



Dimensions (mm)



Electronic accessories (continued)

P40APB

PB Mech Colour Cap

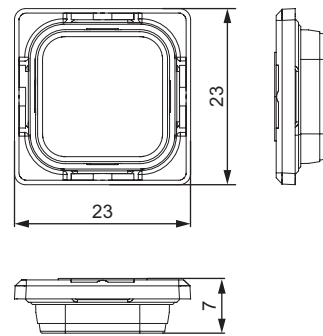
| Main | |
|---------------------|--------------------|
| Range | Clipsal Pro Series |
| Product type | Cap |
| Product destination | Push-button |
| Colour | Vivid white (VW) |
| Quantity per set | Set of 5 |

| Complementary | |
|-----------------------|-----------|
| Device mounting | Flush |
| Dimensions (HxWxD) mm | 23x23x7 |
| Product weight | 0.0025 kg |

| Environment | |
|------------------------|-----|
| Product certifications | RCM |



Dimensions (mm)



Electronic accessories (continued)

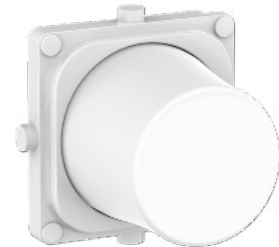
P40EDIMKB

Rotary dimmer knob parts pack white

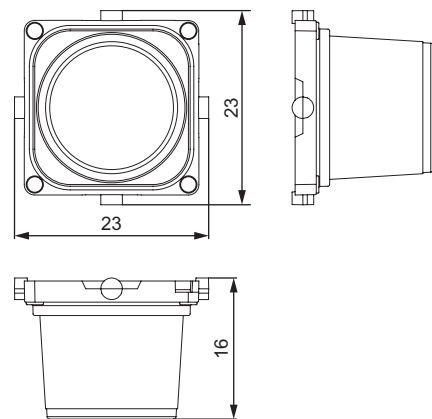
| Main | |
|---------------------|--------------------|
| Range | Clipsal Pro Series |
| Product type | Knob kit |
| Product destination | Dimmer |
| Colour | White (XW) |
| Quantity per set | Set of 50 |

| Complementary | |
|-----------------------|---------------------------------------|
| Device mounting | Flush |
| Material | ABS (acrylonitrile butadiene-styrene) |
| Dimensions (HxWxD) mm | 23x23x6 |
| Product weight | 0.0025 kg |

| Environment | |
|------------------------|-----|
| Product certifications | RCM |



Dimensions (mm)



Electronic accessories (continued)

41EPBM

Simple pushbutton ControlLink (CTL)

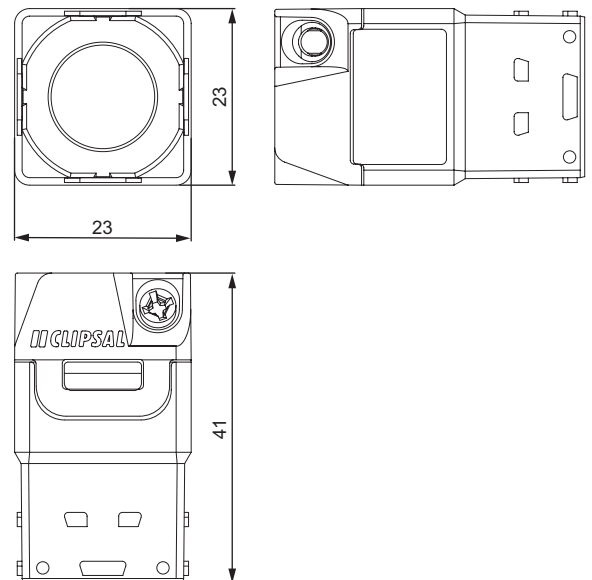
| Main | |
|---------------------|--------------------|
| Range | Clipsal Pro Series |
| Product type | Timer |
| Device presentation | Mechanism |
| Fixing mode | Clip-in |
| Colour | Vivid white (VW) |
| Type of packing | Box |

| Complementary | |
|---------------------------------------|---------------------------------------|
| Device mounting | Flush |
| Actuator | Push-button |
| Surface finish | Matt |
| Ambient air temperature for storage | 0-60 °C |
| Sale per indivisible quantity | 1 |
| [Ue] rated operational voltage | 220...240 Vac, 50 Hz |
| Operating distance | 30 m |
| Control signal type | ControlLink |
| Ambient air temperature for operation | 0-45 °C |
| Relative humidity | 0-90 % |
| Connections - terminals | Screw terminals |
| Material | PC (UL94 V-2) PC MAS056 (UL94 V-2) |
| Dimensions (HxWxD) mm | 23x23x40 |

| Environment | |
|-------------|------------------|
| Standards | AS/NZS 60669.2.1 |



Dimensions (mm)



Electronic accessories (continued)

42E350RUD2M

350 W Universal Rotary Dimmer

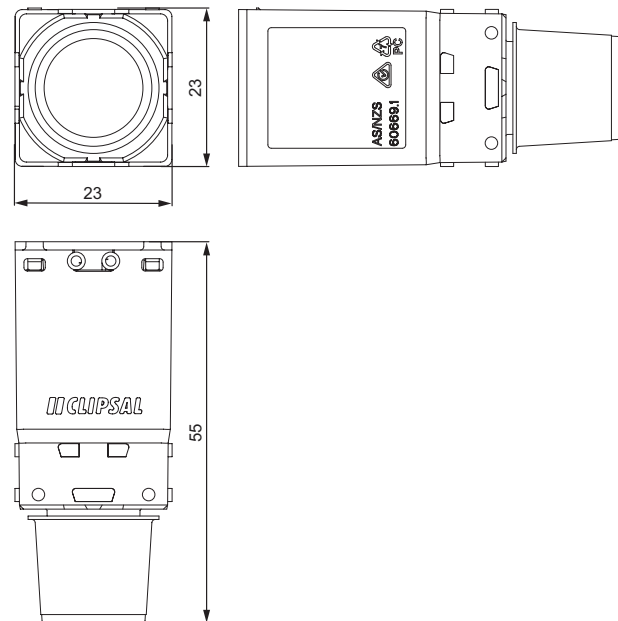
| Main | |
|---------------------|--------------------|
| Range | Clipsal Pro Series |
| Product type | Dimmer |
| Device presentation | Mechanism |
| Dimmer type | Universal |
| Control type | Rotary knob |
| Fixing mode | Clip-in |
| Colour | Vivid white (VW) |
| Type of packing | Box |

| Complementary | |
|---|--|
| [I _e] rated operational current | 1.5 A |
| [U _e] rated operational voltage | 220...240 Vac 50 Hz |
| Load type | Dimmable LED; Incandescent; Low voltage halogen lamp with electronic transformer; Dimmable fluocompact lamp; Low voltage halogen lamp with iron core transformer; Dimmable fluorescent |
| Protection type | Short-circuit |
| Ambient air temperature for operation | 0-45 °C |
| Relative humidity | 0-90 % |
| Connections - terminals | Flying leads |
| Material | PC (UL94 V-2) PC MAS056 (UL94 V-2) |
| Dimensions (HxWxD) mm | 23x23x39 |

| Environment | |
|-------------|------------------|
| Standards | AS/NZS 60669.2.1 |



Dimensions (mm)



Electronic accessories (continued)

41EPIRM

PIR motion sensor with load output

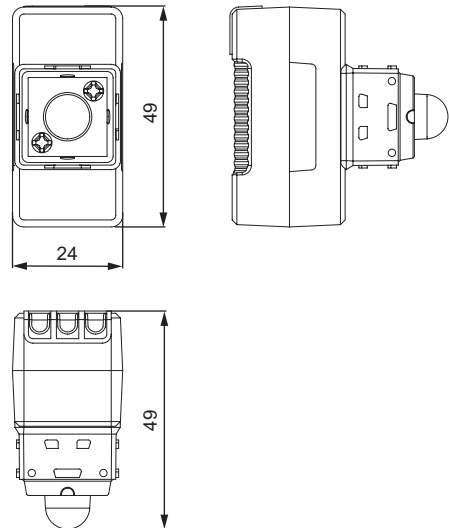
| Main | |
|--------------------|-------------------------------------|
| Range | Clipsal Pro Series |
| Product type | Movement detector |
| Device application | Power circuit application; Lighting |
| Device mounting | Wall mounted |
| Provided equipment | Carrier; Finishing accessory |
| Fixing mode | Clip-in |
| Colour | Vivid white (VW) |
| Type of packing | Box |

| Complementary | |
|---------------------------------------|-----------------------------------|
| Power consumption | 1 W |
| [Ue] rated operational voltage | 220/240 V |
| Maximum load current | 3 A |
| Protection type | Input surge protection |
| Ambient air temperature for operation | -10-50 °C |
| Ambient air temperature for storage | -20-60 °C |
| Relative humidity | 5-90 % |
| Detection angle | 100° (horizontal); 82° (vertical) |
| Light intensity adjustment | 10-2000 lux |
| Material | Plastic |
| Movement detection area | 5 m |
| Dimensions (HxWxD) mm | 23x23x39 |

| Environment | |
|-------------|------------------|
| Standards | AS/NZS 60669.2.1 |



Dimensions (mm)



Network Connectivity



Audio Connectors

40BC/2

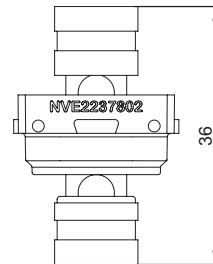
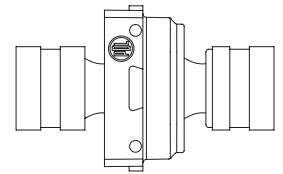
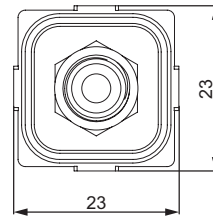
40 Series modules - 2x Banana audio connectors red & black - screwed

| Main | |
|---------------------|--------------------|
| Range | Clipsal Pro Series |
| Product type | Audio socket |
| Type of connector | Banana |
| Device presentation | Module |
| Mounted method | Locking bar |
| Pack Size | Set of 10 |



| Complementary | |
|-----------------------|---------------------------------|
| Device mounting | Flush |
| Socket number | 2 |
| Range compatibility | Clipsal Pro Series audio socket |
| Number of modules | 1 module |
| Colour | Translucent |
| Surface finish | Gloss |
| Material | PC (polycarbonate) |
| Contacts material | Gold plated |
| Dimensions (HxWxD) mm | 23x23x36 |
| Product weight | 0.034 kg |

Dimensions (mm)



| Environment | |
|------------------------------|-------|
| Environmental characteristic | REACH |

Audio Connectors (continued)

40SPK/2

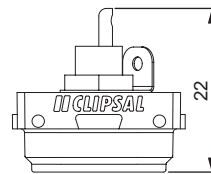
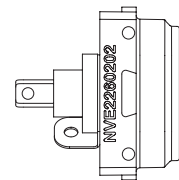
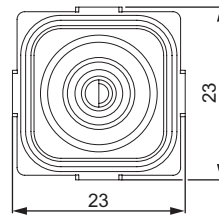
40 Series modules - 2x RCA audio sockets red and black - rear solder

| Main | |
|---------------------|--------------------|
| Range | Clipsal Pro Series |
| Product type | Female connector |
| Type of connector | RCA |
| Device presentation | Module |
| Mounted method | Locking bar |
| Pack Size | Set of 10 |



| Complementary | |
|-------------------------|---------------------------------|
| Device mounting | Flush |
| Socket number | 2 |
| Range compatibility | Clipsal Pro Series media socket |
| Number of modules | 2 module |
| Colour | Translucent |
| Surface finish | Gloss |
| Connections - terminals | Solder terminal rear |
| Material | PC (polycarbonate) |
| Contacts material | Gold plated |
| Dimensions (HxWxD) mm | 23x23x22 |
| Product weight | 0.012 kg |

Dimensions (mm)



| Environment | |
|------------------------------|-------|
| Environmental characteristic | REACH |

TV Sockets and Plates

40FFPMS

40 Series modules - TV socket coaxial PAL - F TYPE - 75 Ohm

Main

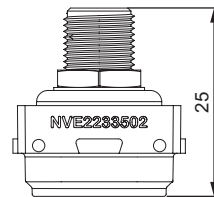
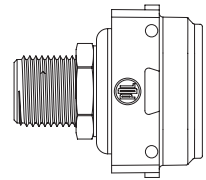
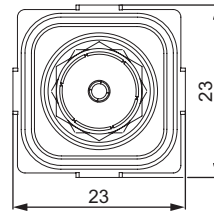
| | |
|---------------------|--------------------|
| Range | Clipsal Pro Series |
| Product type | TV socket |
| Device presentation | Module |
| Type of packing | Polybag |
| Pack Size | Set of 10 |



Complementary

| | |
|----------------------|--------------------------|
| Device mounting | Flush |
| Number of modules | 1 module 23 x 23 x 25 mm |
| Mounted method | Locking bar |
| Colour | Translucent |
| Surface finish | Gloss |
| Surface treatment | Untreated |
| TV socket type | TV |
| TV connector | PAL to F-type |
| Cable outer diameter | 9 mm |
| Material | PC (polycarbonate) |

Dimensions (mm)



Environment

| | |
|------------------------------|-------|
| Environmental characteristic | REACH |
|------------------------------|-------|

TV Sockets and Plates (continued)

40PFM

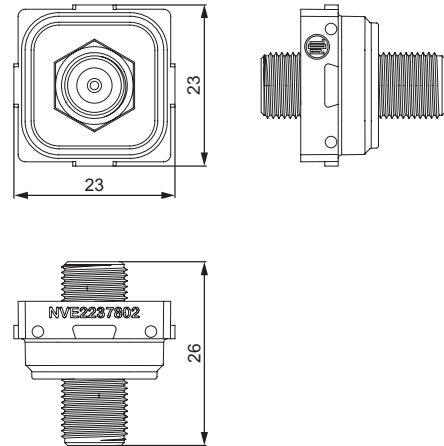
40 Series modules - TV socket coaxial F Type - F TYPE - 3 GHZ - Foxtel Approved

| Main | |
|---------------------|--------------------|
| Range | Clipsal Pro Series |
| Product type | TV socket |
| Device presentation | Module |
| Type of packing | Polybag |
| Pack size | Set of 10 |



| Complementary | |
|----------------------|--------------------------|
| Device mounting | Flush |
| Number of modules | 1 module 23 x 23 x 26 mm |
| Mounted method | Locking bar |
| Colour | Translucent |
| Surface finish | Gloss |
| Surface treatment | Untreated |
| TV socket type | TV |
| TV connector | F-type to F-type |
| Cable outer diameter | 9 mm |
| Material | PC (polycarbonate) |

Dimensions (mm)



| Environment | |
|------------------------------|-------|
| Environmental characteristic | REACH |

HDMI Sockets

40HDMI/A

40 Series modules - HDMI socket 90 degree

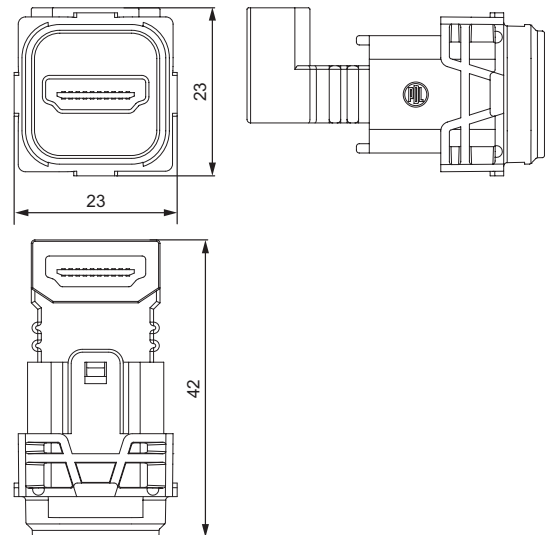
| Main | |
|---------------------|--------------------|
| Range | Clipsal Pro Series |
| Product type | Female connector |
| Type of connector | HDMI |
| Device presentation | Module |
| Mounted method | Locking bar |
| Pack Size | Set of 10 |

| Complementary | |
|-----------------------|---------------------------------|
| Device mounting | Flush |
| Socket number | 1 |
| Range compatibility | Clipsal Pro Series media socket |
| Number of modules | 1 module |
| Colour | Translucent |
| Surface finish | Gloss |
| Material | PC (polycarbonate) |
| Contacts material | Gold plated |
| Dimensions (HxWxD) mm | 23x23x42 |
| Product weight | 0.015 kg |

| Environment | |
|------------------------------|-------|
| Environmental characteristic | REACH |



Dimensions (mm)



HDMI Sockets (continued)

40HDMIS

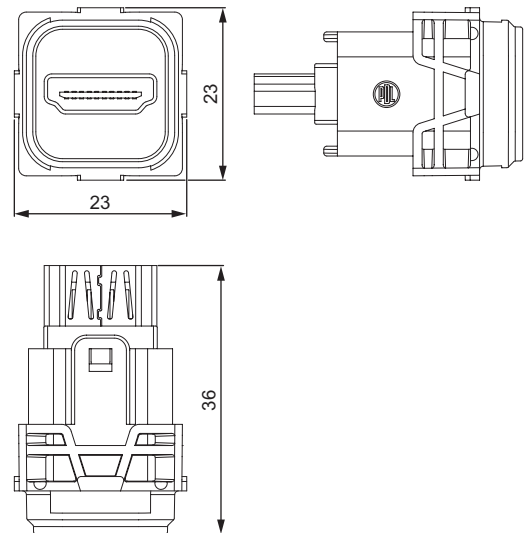
40 Series modules - HDMI socket straight through

| Main | |
|---------------------|--------------------|
| Range | Clipsal Pro Series |
| Product type | Female connector |
| Type of connector | HDMI |
| Device presentation | Module |
| Mounted method | Locking bar |
| Pack Size | Set of 10 |



| Complementary | |
|-----------------------|---------------------------------|
| Device mounting | Flush |
| Socket number | 1 |
| Range compatibility | Clipsal Pro Series media socket |
| Number of modules | 1 module |
| Colour | Translucent |
| Surface finish | Gloss |
| Material | PC (polycarbonate) |
| Contacts material | Gold plated |
| Dimensions (HxWxD) mm | 23x23x36 |
| Product weight | 0.011 kg |

Dimensions (mm)



| Environment | |
|------------------------------|-------|
| Environmental characteristic | REACH |

Telephone Sockets

40RJ64SMT

40 Series modules - Telephone socket - RJ12 4 pin with telephone symbol

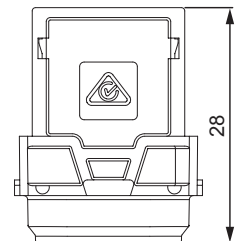
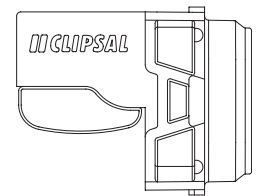
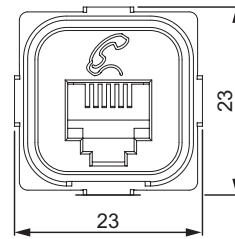
| Main | |
|---------------------|--------------------|
| Range | Clipsal Pro Series |
| Product type | Telephone socket |
| Device presentation | Module |

| Complementary | |
|-------------------------------|---------------------------|
| Device mounting | Flush |
| Provided equipment | Cable retention cap |
| Telephone socket type | RJ12 4 |
| Colour | Translucent |
| Surface finish | Gloss |
| Type of packing | Polybag |
| Sale per indivisible quantity | 1 |
| Dimensions (HxWxD) mm | 23x23x28 |
| Product weight | 0.006 kg |
| Standards | AS/NZS 3080 AS/CA S008 |

| Environment | |
|------------------------------|-------|
| Product certifications | RCM |
| Environmental characteristic | REACH |



Dimensions (mm)



Actassi RJ 45 Sockets

40RJ45SMA5

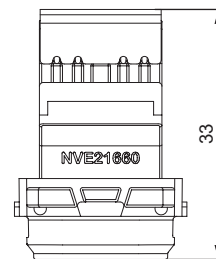
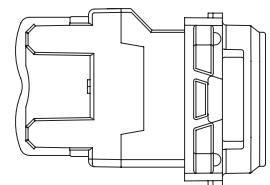
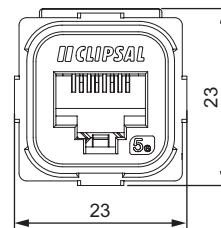
Actassi RJ45 Cat6 Connector Unshielded 40 Series module

| Main | |
|--------------------------------|---|
| Range | Actassi |
| Product type | RJ45 network socket |
| Type of footprint | 40 Series module |
| Communication network category | 5e |
| Cable shielding type | U/UTP |
| Communication network type | 1000BASE-T |
| Communication port protocol | VoIP (Voice IP) |
| Colour code | 568 A/B |
| Colour | Stuffer cap : transparent (ABS + PC) IDC cover : blue (ABS + PC) Connector housing : translucent (ABS + PC) |



| Complementary | |
|----------------------------|--|
| Standards | ANSI/TIA-568-C.2 IEC 60603-7-2 ISO/IEC 11801 ed. 2.1 ISO/IEC 11801 ed. 2.2, 2011 AS/NZS 3080 2010 AS/CA S008 2010 |
| Product certifications | RCM |
| Permissible voltage | 1000 Vac/dc, peak, between contacts |
| [In] rated current | 1.5 A @25 °C |
| Insulation resistance | Initial insulation resistance : > 500 MOhm @100 Vdc |
| Resistance | <= 20 mOhm |
| AWG gauge | AWG 23...AWG 24 |
| Cable outer diameter | 0.9...1.4 mm |
| Pin number | 8 pins in copper alloy and gold plated (IEC 60603-7) |
| Mechanical durability | 750 cycles |
| Device presentation | Two piece design |
| Pack Size | Set of 20 |
| Dimensions (HxWxD) mm | 23x23x33 |
| Transmission frequency | 0...100 MHz |
| Coupling attenuation | >= 35 dB from 30...100 MHz >= 75 - 20 x log(f) dB from 100...1000 MHz |
| Transverse conversion loss | >= 50 dB >= 68 - 20 x log(f) dB from 1...100000 kHz |
| Pulling force | 50 N during 60 s |

Dimensions (mm)



| Environment | |
|---------------------------------------|---------------------------------|
| Ambient air temperature for operation | -40...70 °C |
| Climatic withstand | 40/070/21 (21 days) |
| Environmental characteristic | PEP (Energy depletion) REACH |

Actassi RJ 45 Sockets (continued)

40RJ45SMA5SHC

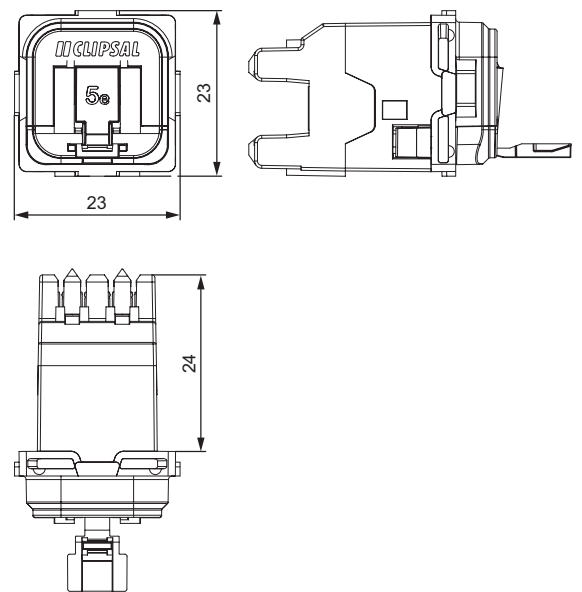
Actassi S-110 Modular Jack R45 40M Unshielded Cat5e Shutter

| Main | |
|---------------------------|--|
| Range | Actassi |
| Product name | Actassi S-110 |
| Product or component type | RJ45 connector |
| Device presentation | Two piece design |
| Colour tint | Connector housing : translucent (ABS + PC) Shutter : translucent (ABS + PC) Top cover : transparent (PC) IDC cover : green (PC) |
| Colour code | TIA-568A/B |
| Quantity per set | Set of 1 |



| Complementary | |
|---------------------------------------|--|
| [In] rated current | 1.5 A at 25 °C |
| Permissible voltage | 1000 Vac/dc peak, between contacts |
| Contact resistance | 20 mOhm |
| Insulation resistance | Initial insulation resistance : > 500 MOhm a 100 Vdc |
| AWG gauge | AWG 24...AWG 23 |
| Mechanical durability | 750 cycles |
| Pin number | 8 pins of copper alloy and gold plated conforming to IEC 60603-7 |
| Tool type | Punch down tool; Quick termination tool |
| Ambient air temperature for operation | -10...60 °C |
| Ambient air temperature for storage | -40...70 °C |
| Climatic withstand | 40/070/21 21 days |
| Flame retardance | UL94-V0 conforming to UL listed |
| Cable outer diameter | 0.9...1.4 mm |
| Cable shielding type | U/UTP |
| Communication network category | 6 |
| Communication network type | 1000BASE-T |
| Communication port protocol | PoE+ (Power over Ethernet) PoE 15W (Power over Ethernet) PoE+ 30W (Power over Ethernet Plus) 4PPoE 100W (Power over Ethernet) |
| Connections - terminals | Insulation displacement contact |
| Product compatibility | RJ45 plug; RJ11 plug |
| Transmission frequency | 1...250 MHz |
| Type of footprint | S-110 40 mech |
| Dimensions (HxWxD) mm | 23x23x36 |

Dimensions (mm)



| Environment | |
|------------------------|---|
| Product certifications | UL listed |
| Standards | ISO/IEC 11801:2011 Ed.2.2 ANSI/TIA-568-C.2 IEC 60603-7-4 AS/NZS 3080:2003 UL 1863 IEC 60512-99-001 IEC 60512-99-002 |

Actassi RJ 45 Sockets (continued)

40RJ45SMA6

Actassi RJ45 unshielded Cat6 40 series module

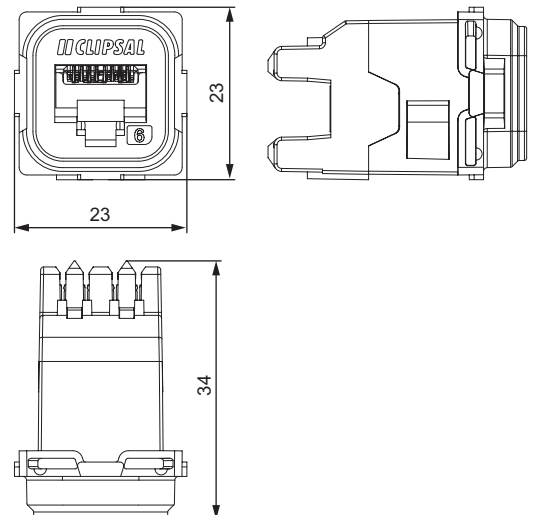
| Main | |
|--------------------------------|---|
| Range | Actassi |
| Product type | RJ45 network socket |
| Type of footprint | 40 Series module |
| Communication network category | 6 |
| Cable shielding type | U/UTP |
| Communication network type | 1000BASE-T |
| Communication port protocol | PoE+ (Power over Ethernet) VoIP (Voice IP) |
| Colour code | 568 A/B |
| Colour | Stuffer cap : transparent (ABS + PC) IDC cover : blue (ABS + PC) Connector housing : translucent (ABS + PC) |

| Complementary | |
|----------------------------|--|
| Standards | ANSI/TIA-568-C.2 ISO/IEC 11801 ed. 2.1 ISO/IEC 11801 ed. 2.2, 2011 IEC 60603-7-4 AS/NZS 3080 2010 AS/CA S008 2010 |
| Product certifications | RCM |
| Permissible voltage | 1000 Vac/dc, peak, between contacts |
| [In] rated current | 1.5 A @25 °C |
| Insulation resistance | Initial insulation resistance : > 500 MOhm @100 Vdc |
| Resistance | <= 20 mOhm |
| AWG gauge | AWG 23...AWG 24 |
| Cable outer diameter | 0.9...1.1 mm |
| Pin number | 8 pins in copper alloy and gold plated (IEC 60603-7) |
| Mechanical durability | 750 cycles |
| Device presentation | Two piece design |
| Pack Size | Set of 20 |
| Dimensions (HxWxD) mm | 23x23x34 |
| Transmission frequency | 0...250 MHz |
| Coupling attenuation | >= 35 dB from 30...100 MHz >= 75 - 20 x log(f) dB from 100...1000 MHz |
| Transverse conversion loss | >= 50 dB >= 68 - 20 x log(f) dB from 1...250000 kHz |
| Pulling force | 50 N during 60 s |

| Environment | |
|---------------------------------------|---------------------------------|
| Ambient air temperature for operation | -40...70 °C |
| Climatic withstand | 40/070/21 (21 days) |
| Environmental characteristic | PEP (Energy depletion) REACH |



Dimensions (mm)

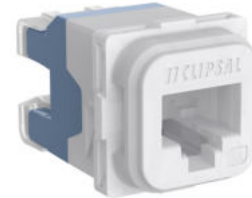


Actassi RJ 45 Sockets (continued)

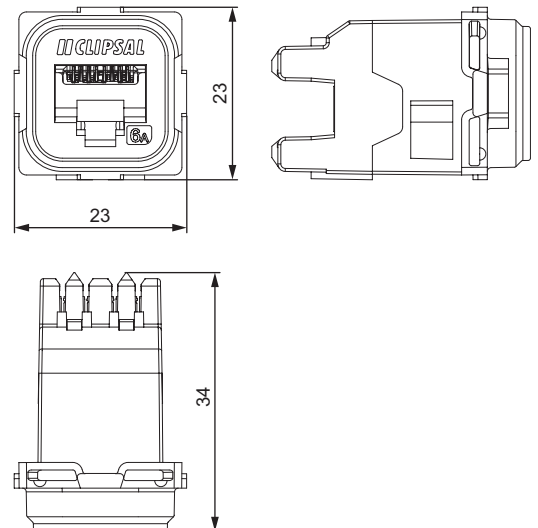
40RJ45SMA6A

Actassi RJ45 unshielded Cat6A 40 series module

| Main | |
|--------------------------------|---|
| Range | Actassi |
| Product type | RJ45 network socket |
| Type of footprint | 40 Series module |
| Communication network category | 6 A |
| Cable shielding type | U/UTP |
| Communication network type | 10GBASE-T |
| Communication port protocol | PoE+ (Power over Ethernet) VoIP (Voice IP) |
| Colour code | 568 A/B |
| Colour | Stuffer cap : transparent (ABS + PC) IDC cover : blue (ABS + PC) Connector housing : translucent (ABS + PC) |



Dimensions (mm)



| Complementary | |
|----------------------------|---|
| Standards | ANSI/TIA-568-C.2 ISO/IEC 11801 ed. 2.1 ISO/IEC 11801 ed. 2.2, 2011 AS/NZS 3080 2010 AS/CA S008 2010 IEC 60603-7-41 |
| Product certifications | RCM |
| Permissible voltage | 1000 Vac/dc, peak, between contacts |
| [In] rated current | 1.5 A @25 °C |
| Insulation resistance | Initial insulation resistance : > 500 MOhm @100 Vdc |
| Resistance | <= 20 mOhm |
| AWG gauge | AWG 23...AWG 24 |
| Cable outer diameter | 0.9...1.1 mm |
| Pin number | 8 pins in copper alloy and gold plated (IEC 60603-7) |
| Mechanical durability | 750 cycles |
| Device presentation | Two piece design |
| Pack Size | Set of 20 |
| Dimensions (HxWxD) mm | 23x23x34 |
| Transmission frequency | 0...500 MHz |
| Coupling attenuation | >= 35 dB from 30...100 MHz >= 75 - 20 x log(f) dB from 100...1000 MHz |
| Transverse conversion loss | >= 50 dB >= 68 - 20 x log(f) dB from 1...500000 kHz |
| Pulling force | 50 N during 60 s |

| Environment | |
|---------------------------------------|---------------------------------|
| Ambient air temperature for operation | -40...70 °C |
| Climatic withstand | 40/070/21 (21 days) |
| Environmental characteristic | PEP (Energy depletion) REACH |

Mounting Blocks

3000SM

Clipsal Pro Series - mounting block - surface- 1 gang - depth 32 mm

| Main | |
|---------------|--------------------|
| Range | Clipsal Pro Series |
| Product brand | Clipsal |
| Product type | Mounting block |
| Colour | Vivid White |

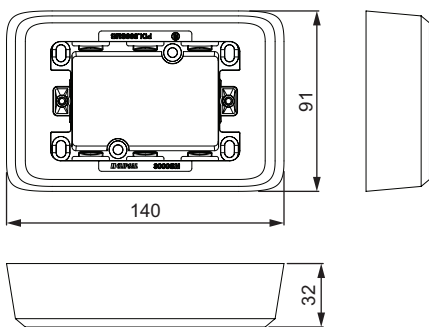
| Complementary | |
|-----------------------|--|
| Shape | Rectangular |
| Number of gangs | 1 gang |
| Material | PC (polycarbonate) HIPS (high impact polystyrene) |
| Dimensions (HxWxD) mm | 91x140x32 |
| Colour code | VW |
| Mounting centres | 84 mm |
| Pack Size | Pack of 10 |
| Weight | 0.38 kg |



Benefits

- Easy to align on the wall
- Good level of robustness, Impact resistant
- Flexible conduit Quick and Easy to fix ! : **CLIP-IN*** function
- Wiring device Quick and Easy to fix ! : **PUSH-IN*** function
- Good mounting screws accessibility from the removable base
- Sharp design to suit Pro Series skin shape
- Smart solution : knock-outs easy to break, various size, on each side of the block
- Fixing screws for Wiring Device products are isolated

Dimensions (mm)



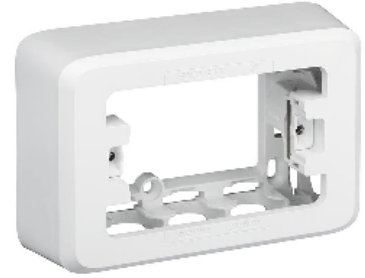
Mounting blocks (continued)

3000DM

Mounting Block Pro Series 1 gang 40 mm, clip in and push in function

| Main | |
|---------------|----------------|
| Product brand | Clipsal |
| Product type | Mounting block |
| Colour | Vivid White |

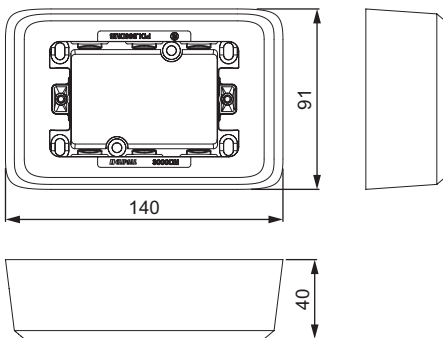
| Complementary | |
|-----------------------|--|
| Colour code | VW |
| Shape | Rectangular |
| Fixing center | 84 mm |
| Dimensions (HxWxD) mm | 91x140x40 |
| Product weight | 0.08 kg |
| Material | PC (polycarbonate) HIPS (high impact polystyrene) |
| Number of gangs | 1 gang |
| Pack Size | Pack of 5 |
| Weight | 0.38 kg |



Benefits

- Easy to align on the wall
- Good level of robustness, Impact resistant
- Flexible conduit Quick and Easy to fix ! : **CLIP-IN*** function
- Wiring device Quick and Easy to fix ! : **PUSH-IN*** function
- Good mounting screws accessibility from the removable base
- Sharp design to suit Pro Series skin shape
- Smart solution : knock-outs easy to break, various size, on each side of the block
- Fixing screws for Wiring Device products are isolated

Dimensions (mm)



Mounting blocks (continued)

3004M

Clipsal Pro Series - mounting block - surface- suits quad socket - depth 38 mm

| Main | |
|---------------|--------------------|
| Range | Clipsal Pro Series |
| Product brand | Clipsal |
| Product type | Mounting block |
| Colour | Vivid White |

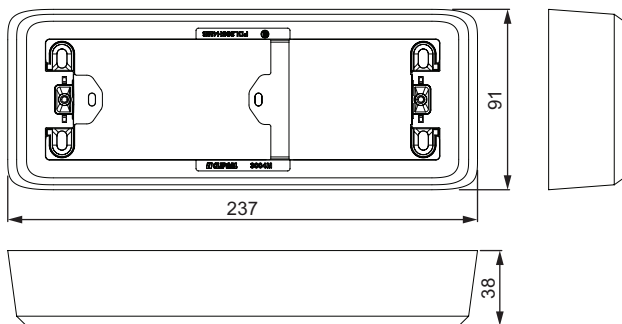
| Complementary | |
|-----------------------|--|
| Shape | Rectangular |
| Material | PC (polycarbonate) HIPS (high impact polystyrene) |
| Dimensions (HxWxD) mm | 91x237x38 |
| Colour code | VW |
| Mounting Centres | 179.8 mm and 84 mm |
| Pack Size | Pack of 20 |
| Weight | 3.3 kg |



Benefits

- Easy to align on the wall
- Good level of robustness, Impact resistant
- Wiring device Quick and Easy to fix ! : **PUSH-IN*** function
- Smart solution : knock-outs easy to break, various size, on each side of the block
- Fixing screws for Wiring Device products are isolated

Dimensions (mm)



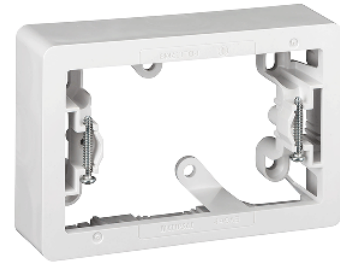
Mounting blocks (continued)

449AB

Clipsal Pro Series - mounting block - surface- 1 gang - depth 34 mm

| Main | |
|---------------|--------------------|
| Range | Clipsal Pro Series |
| Product brand | Clipsal |
| Product type | Mounting block |
| Colour | Vivid White |

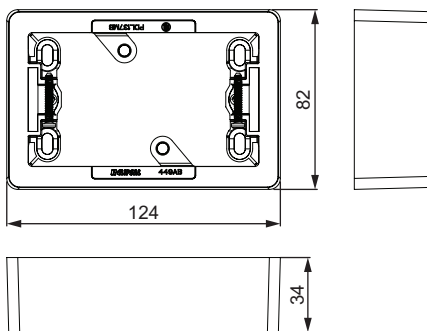
| Complementary | |
|-----------------------|--|
| Shape | Rectangular |
| Number of gangs | 1 gang |
| Material | PC (polycarbonate) HIPS (high impact polystyrene) |
| Dimensions (HxWxD) mm | 82x124x34 |
| Colour code | VW |
| Mounting centres | 84 mm |
| Pack Size | Pack of 20 |
| Weight | 0.58 kg |



Benefits

- Easy to align on the wall
- Good level of robustness, Impact resistant.
- Smart solution : knock-outs easy to break, various size, on each side of the block
- Fixing screws for Wiring Device products are isolated
- Fit any recessed devices from the competition (knock out area)

Dimensions (mm)



Wall Boxes

3157/4PRM

Clipsal Pro Series - mounting box - suits Quad Socket - depth 54 mm

| Main | |
|------------------|--------------------|
| Range of product | Pro Series |
| Range | Clipsal Pro Series |
| Product brand | Clipsal |
| Product type | Mounting box |
| Colour | Grey |

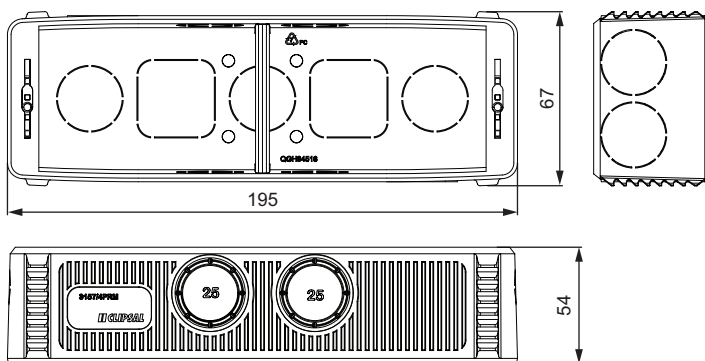
| Complementary | |
|------------------------|--------------------|
| Range compatibility | Clipsal Pro Series |
| Shape | Rectangular |
| Cable entry number | 16 |
| Material | PC |
| Device mounting | Flush |
| Dimensions (HxWxD) mm | 67x195x54 |
| Location of connection | Rear |
| Colour code | GY |
| Mounting centres | 179.8 mm |
| Pack Size | Pack of 20 |
| Weight | 3.3 kg |



Benefits

- Easy to adjust to be flush in the wall
- Good level of robustness (removable 'Divider', after fixing)
- Impact resistant
- Wiring device easy to align and to fix ! : Sliding metal nuts + PUSH-IN* function
- Ample knock-outs each side of the box
- Innovative cover (not shown) helps locate box through the wall and limits entry of dust and debris

Dimensions (mm)



Wall Brackets

3155H4

Pro Series - bracket Quad Socket horizontal

Main

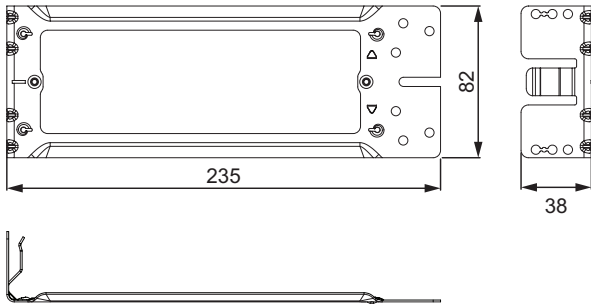
| | |
|------------------|--------------------|
| Range | Clipsal Pro Series |
| Product type | Mounting bracket |
| Colour | White |
| Quantity per set | Set of 20 |

Complementary

| | |
|------------------------|------------|
| Installation direction | Horizontal |
| Mounting support | Wall |
| Number of gangs | 4 gang |
| Mounting centres | 179.8 mm |
| Pack Size | Pack of 20 |
| Dimensions (HxWxD) mm | 82x235x38 |
| Weight | 3.3 kg |



Dimensions (mm)



C-Bus Modules

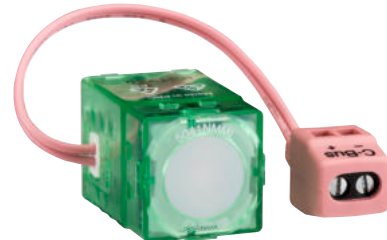
5041NMML

40 Series master module

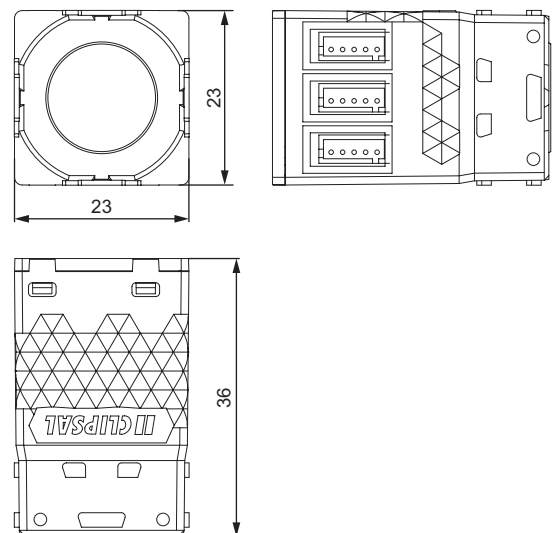
| Main | |
|--------------------|-----------------------|
| Range | C-Bus |
| Product name | Series 40M |
| Product type | Push-button interface |
| Device application | Control |
| Colour | Transparent green |
| Control type | Push-button |

| Complementary | |
|---------------------------------------|-----------------------------------|
| Device mounting | Wall mounted |
| Dimmer control | 255 possible levels |
| [Ue] rated operational voltage 25 | 15...36 V |
| Input impedance | 100 kOhm |
| Local signalling | LED |
| Type of cable | Twisted unshielded pairs cable |
| Switch application | Load switching |
| Module configuration | Programmed with learn mode |
| Time delay range | 1s...18h12m15s |
| Current consumption | 18 mA |
| Isolation voltage | 3.75 kV |
| Ambient air temperature for operation | 0 - 45 °C |
| Relative humidity | 10-95 % |
| Communication network type | C-Bus via 40 series master module |
| Material | Plastic |
| Dimensions (HxWxD) mm | 23x23x36 |
| Product weight | 0.013 kg |

| Environment | |
|------------------------|-----------------|
| Product certifications | RCM |
| Standards | AS/NZS CISPR 15 |



Dimensions (mm)



C-Bus modules (continued)

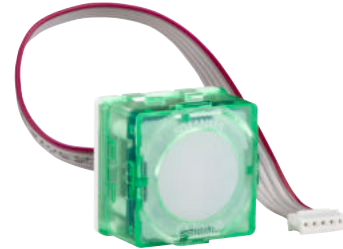
5041NMS

40 Series slave module

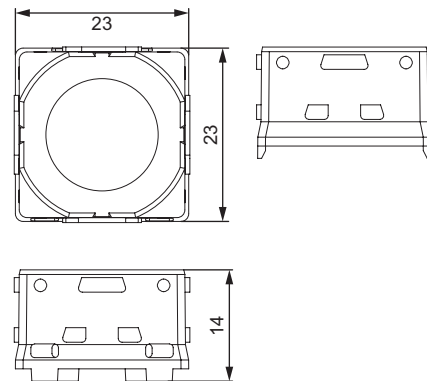
| Main | |
|--------------------|-----------------------|
| Range | C-Bus |
| Product name | Series 40M |
| Product type | Push-button interface |
| Device application | Control |
| Colour | Transparent green |
| Control type | Push-button |

| Complementary | |
|---------------------------------------|-----------------------------------|
| Device mounting | Wall mounted |
| Dimmer control | 255 possible levels |
| [Ue] rated operational voltage 25 | 15...36 V |
| Input impedance | 100 kOhm |
| Local signalling | LED |
| Type of cable | Twisted unshielded pairs cable |
| Switch application | Load switching |
| Module configuration | Programmed with learn mode |
| Time delay range | 1s...18h12m15s |
| Current consumption | 18 mA |
| Isolation voltage | 3.75 kV |
| Ambient air temperature for operation | 0 - 45 °C |
| Relative humidity | 10-95 % |
| Communication network type | C-Bus via 40 series master module |
| Material | Plastic |
| Dimensions (HxWxD) mm | 23x23x14 |
| Product weight | 0.007 kg |

| Environment | |
|------------------------|-----------------|
| Product certifications | RCM |
| Standards | AS/NZS CISPR 15 |



Dimensions (mm)



Interfaces



P40FR



P40HR



P40FRR



P40SR



P40ACR



P40ALR



P40HWR



P40Z1R



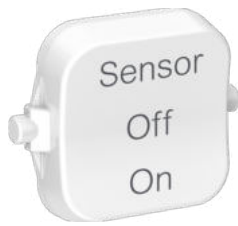
P40Z2R



P40Z3R



P40R32



P49TSOO



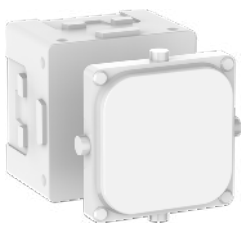
P49TAOM



P49TUOD



P40AR



P40B



P40LR



P40LOCKR



P40R20COOK



P40R32COOK



P3000T

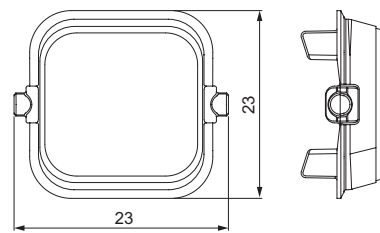
Interfaces (continued)

| Commercial Reference | Description | Marking |
|----------------------|--|---------------------|
| P40FR | Pro Series - switch rocker labelled FAN | Fan |
| P40HR | Pro Series - switch rocker labelled HEAT | Heat |
| P40FRR | Pro Series - switch rocker labelled FRIDGE | Fridge |
| P40SR | Pro Series - switch rocker labelled SENSOR | Sensor |
| P40ACR | Pro Series - switch rocker labelled AIRCON | Aircon |
| P40ALR | Pro Series - switch rocker labelled ALARM | Alarm |
| P40HWR - Hot water | Pro Series - switch rocker labelled HOT WATER | Hotwater |
| P40Z1R | Pro Series - switch rocker labelled ZONE 1 | Zone 1 |
| P40Z2R | Pro Series - switch rocker labelled ZONE 2 | Zone 2 |
| P40Z3R | Pro Series - switch rocker labelled ZONE 3 | Zone 3 |
| P40R32 | Pro Series - switch rocker 32 A White | White |
| P49TSOO | Rocker Toggle 3 - pos labelled SENSOR - ON - OFF | Sensor - On - Off |
| P49TAOM | Rocker Toggle 3 - pos labelled AUTO - OFF - MANUAL | Auto - Off - Manual |
| P49TUOD | Rocker Toggle 3 - pos labelled UP - OFF - DOWN | Up - Off - Downl |
| P40AR | Dolly rocker BLANK | Blank |
| P40B | Blank mechanism adaptor PK5 TN | Blank |
| P40LR | Dolly Rocker LIGHT | Light |
| P40LOCKR | Dolly Locking rocker Blank | Blank |
| P40R20COOK | Dolly Rocker 20 A COOKER | Cooker |
| P40R32COOK | Dolly Rocker 32 A COOKER | Cooker |
| P3000T | Tool for Skin Removal | |

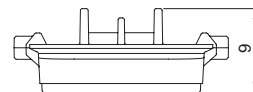
Technical Specification

| Main | |
|--------------------|------------------------|
| Range | Clipsal Pro Series |
| Product type | Switch |
| Provided equipment | Rocker |
| Mounted method | Clip-in |
| Colour | White (XW), Black (BK) |
| Type of packing | Ziplock polybag |
| Pack Size | Set of 50 |

Dimensions (mm)



| Complementary | |
|---------------------------------------|--|
| Control type | Rocker switch |
| Actuator | Rocker |
| Surface finish | Gloss |
| Surface treatment | Untreated |
| Ambient air temperature for storage | 0...60 °C |
| Ambient air temperature for operation | 0...45 °C |
| Relative humidity | 10...95 % |
| Material | ABS (acrylonitrile butadiene-styrene) for rocker |
| Dimensions (HxWxD) mm | 23x23x9 |
| Product weight | 0.001 kg |



Interfaces (continued)

P40RSM3KB

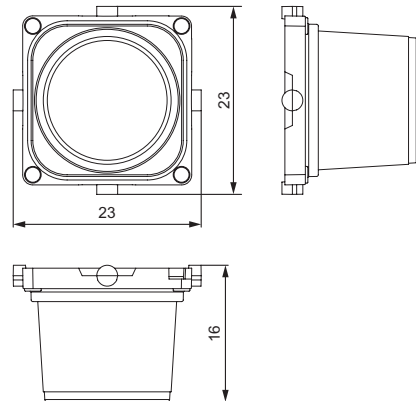
Pro Series - rotary knob labelled 0-1-2-3 in 2 colours

| Main | |
|--------------------|------------------------|
| Range | Clipsal Pro Series |
| Product type | Knob |
| Provided equipment | Knob, Carrier |
| Mounted method | Clip-in |
| Colour | White (XW), Black (BK) |
| Type of packing | Ziplock polybag |
| Pack Size | Set of 10 |



| Complementary | |
|-----------------------|---|
| Control type | Knob |
| Actuator | Rotary |
| Marking | 0 - 1 - 2 - 3 |
| Material | Housing : PC (polycarbonate); PA66 (nylon) Knob : PC (polycarbonate) Knob cap : ABS (acrylonitrile butadiene-styrene) |
| Dimensions (HxWxD) mm | 23x23x16 |
| Product weight | 0.0015 kg |

Dimensions (mm)



Interfaces (continued)

P40RSM2KB

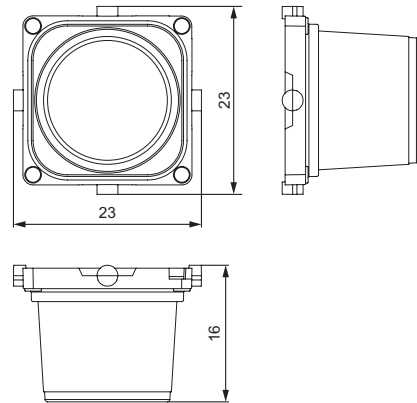
Pro Series - rotary knob labelled 0-1-0-2 in 2 colours

| Main | |
|--------------------|------------------------|
| Range | Clipsal Pro Series |
| Product type | Knob |
| Provided equipment | Knob, Carrier |
| Mounted method | Clip-in |
| Colour | White (XW), Black (BK) |
| Type of packing | Ziplock polybag |
| Pack Size | Set of 10 |

| Complementary | |
|---------------------------------------|---|
| Control type | Knob |
| Actuator | Rotary |
| Marking | 0 - 1 - 0 - 2 |
| Surface finish | Gloss |
| Surface treatment | Untreated |
| Ambient air temperature for storage | 0...60 °C |
| Ambient air temperature for operation | 0...45 °C |
| Relative humidity | 10...95 % |
| Material | Housing : PC (polycarbonate); PA66 (nylon) Knob : PC (polycarbonate) Knob cap : ABS (acrylonitrile butadiene-styrene) |
| Dimensions (HxWxD) mm | 23x23x16 |
| Product weight | 0.0015 kg |



Dimensions (mm)



Interfaces (continued)

P49T

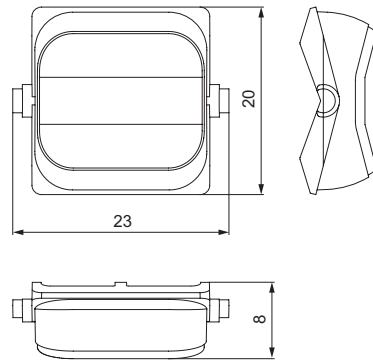
Pro Series - 3 position switch rocker

| Main | |
|--------------------|------------------------|
| Range | Clipsal Pro Series |
| Product type | Switch |
| Provided equipment | Rocker |
| Mounted method | Clip-in |
| Colour | White (XW), Black (BK) |
| Type of packing | Polybag |
| Pack Size | Set of 50 |

| Complementary | |
|---------------------------------------|---|
| Control type | Rocker switch |
| Actuator | Rocker |
| Surface finish | Gloss |
| Surface treatment | Untreated |
| Ambient air temperature for storage | 0...60 °C |
| Ambient air temperature for operation | 0...45 °C |
| Relative humidity | 10...95 % |
| Material | Rocker : PC (polycarbonate) Rocker : ABS (acrylonitrile butadiene-styrene) |
| Dimensions (HxWxD) mm | 20x23x8 |
| Product weight | 0.0015 kg |



Dimensions (mm)



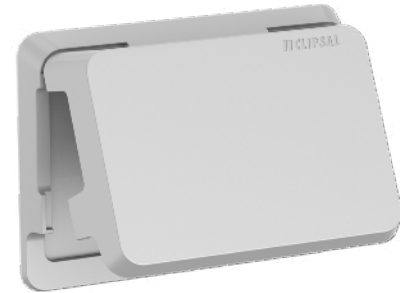
Interfaces (continued)

P223H

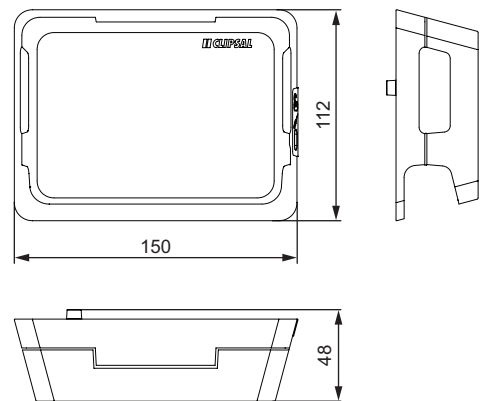
Protective box IK10 with lockable lid

| Main | |
|--------|--------------------|
| Range | Clipsal Pro Series |
| Colour | Grey |
| Shape | Rectangular |

| Complementary | |
|-----------------------|-----------------------|
| Number of gangs | 1 gang |
| Protection rating | IK10 |
| Fixing | 84 mm or corner mount |
| Material | Zinc aluminum alloy |
| Dimensions (HxWxD) mm | 112x150x48 |
| Product weight | 0.61 kg |



Dimensions (mm)



Interfaces (continued)

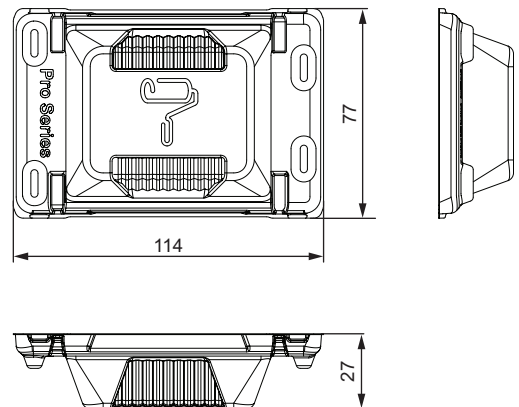
P3000PP-50

Protective paint cover 50 pack

| Main | |
|-----------------------|--------------------|
| Range | Clipsal Pro Series |
| Product type | Protective cover |
| Provided destination | Plate |
| Complementary | |
| Dimensions (HxWxD) mm | 77x114x27 |



Dimensions (mm)



Interfaces (continued)

40E1USBCAP

Single port USB cap

Main

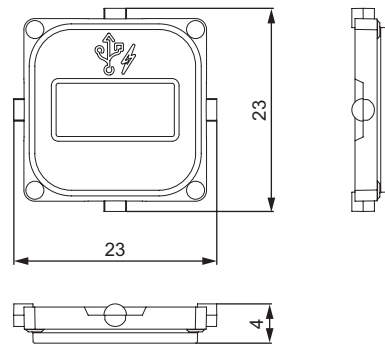
| | |
|---------------------|--------------------|
| Range | Clipsal Pro Series |
| Product type | Socket cap |
| Product destination | USB charger |
| Connector type | USB type A |
| Colour | Black (BK) |
| Quantity per set | Set of 5 |

Complementary

| | |
|-----------------------|---------------------------------------|
| Device mounting | Flush |
| Number of gang | 1 gang |
| Marking | USB symbol |
| Material | ABS (acrylonitrile butadiene-styrene) |
| Dimensions (HxWxD) mm | 23x23x4 |
| Product weight | 0.001 kg |



Dimensions (mm)



Interfaces (continued)

40E2USBACCAP

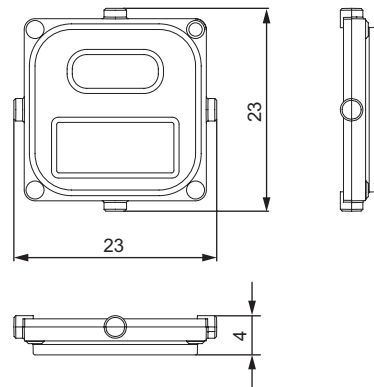
Mechanism Cap Dual USB Type A+C

| Main | |
|---------------------|--------------------|
| Range | Clipsal Pro Series |
| Product type | Cover frame |
| Product destination | USB charger |
| Fixing mode | Clip-in |
| Type of packing | Polybag |
| Quantity per set | Set of 5 |

| Complementary | |
|-----------------------|---------------------------------------|
| Device mounting | Flush |
| Number of gangs | 2 gangs |
| Number of modules | 1 module |
| Colour | Black (BK) |
| Surface finish | Gloss |
| Material | ABS (acrylonitrile butadiene-styrene) |
| Dimensions (HxWxD) mm | 23x23x4 |
| Product weight | 0.001 kg |



Dimensions (mm)



Interfaces (continued)

40E2USBCAP

Dual Port USB Cap

Main

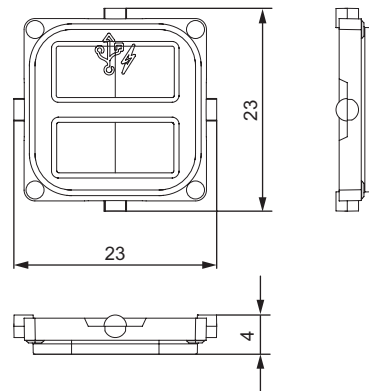
| | |
|---------------------|--------------------|
| Range | Clipsal Pro Series |
| Product type | Socket cap |
| Product destination | USB charger |
| Connector type | USB type A |
| Quantity per set | Set of 5 |

Complementary

| | |
|-----------------------|---------------------------------------|
| Device mounting | Flush |
| Number of gangs | 2 gangs |
| Colour | Black (BK) |
| Marking | USB symbol |
| Material | ABS (acrylonitrile butadiene-styrene) |
| Dimensions (HxWxD) mm | 23x23x4 |
| Product weight | 0.001 kg |

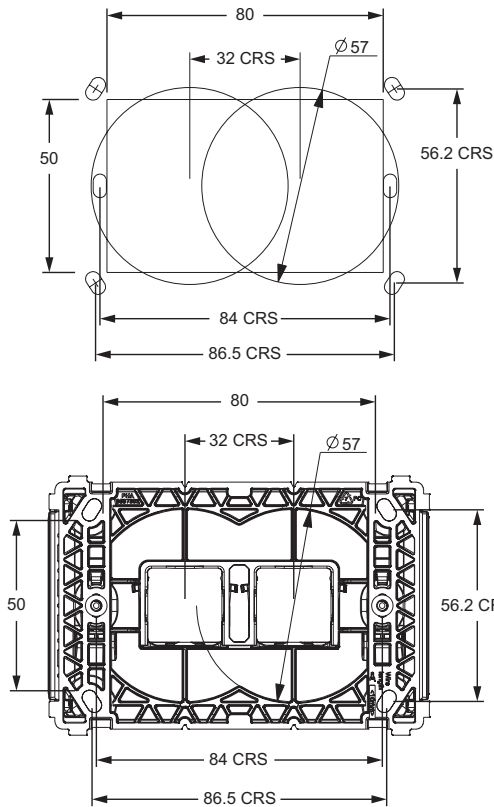


Dimensions (mm)

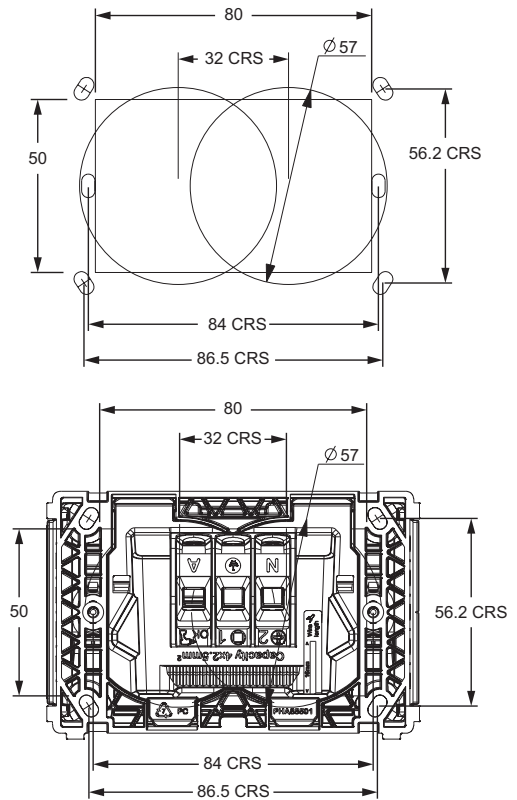


Cut-out Diagrams

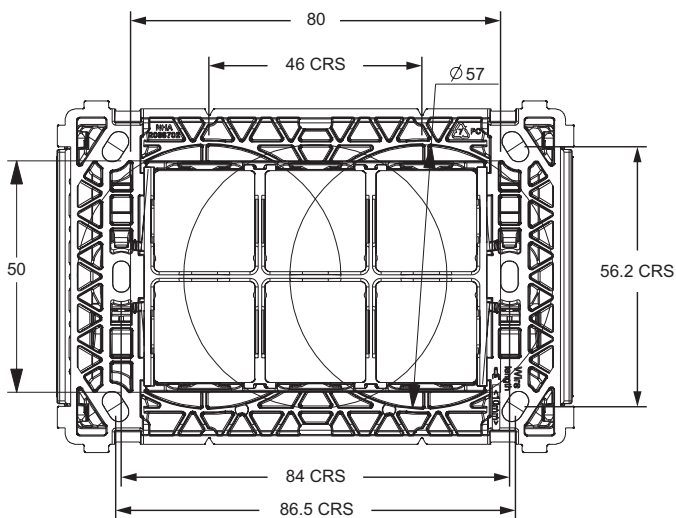
1 to 4 gang Switch Plate



Socket

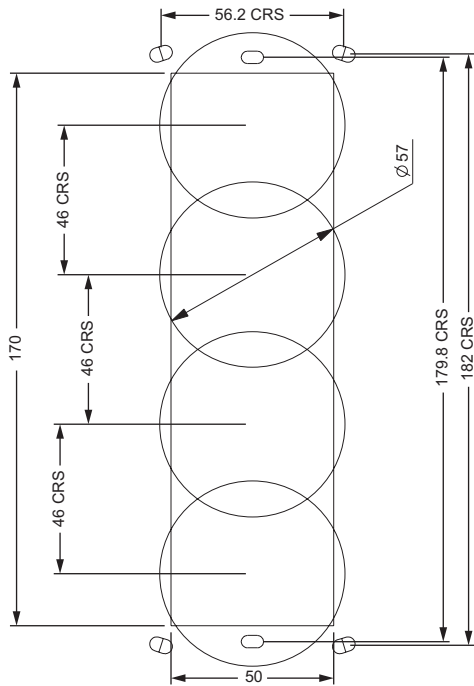


5 and 6 gang Switch

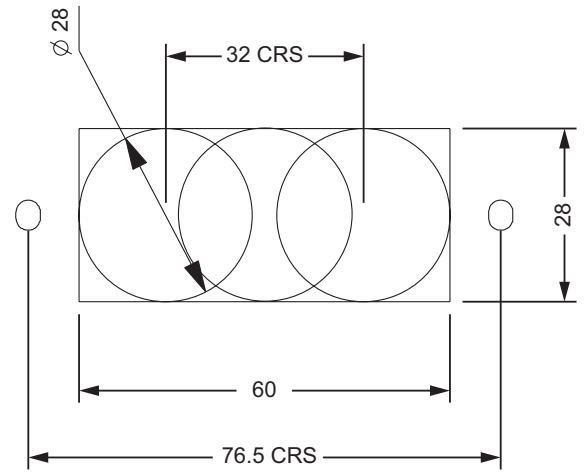


Cut-out Diagrams (cont'd)

4 gang Socket

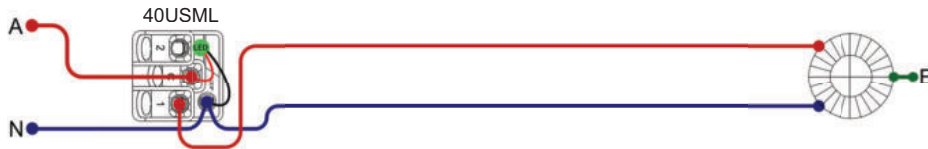


Architrave Switch



Mechanical Switching

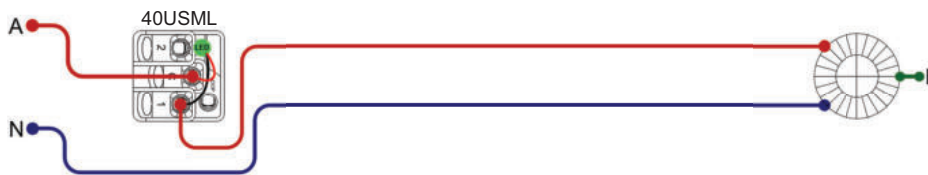
LED indicator is permanently "ON" (Power Available Indicator)



LED indicator "ON" when load is "ON"



LED indicator "ON" when load is "OFF" - No neutral present at switch

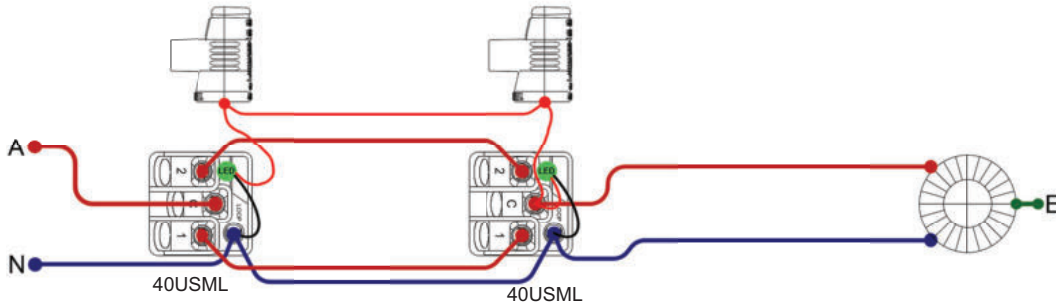


LED indicator is "ON" when load is "OFF"

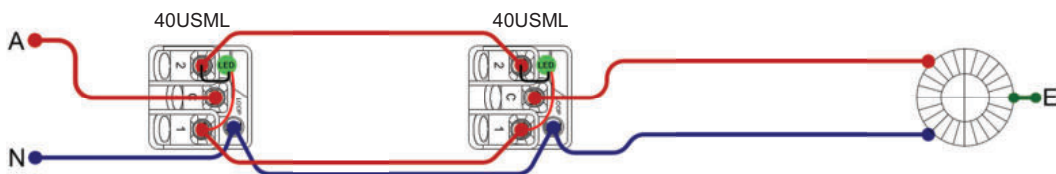


Mechanical Switching (cont'd)

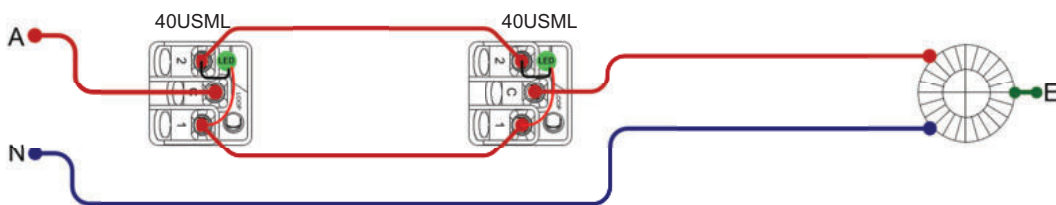
2-Way switching, LED indicator "ON" when load is "ON"- Neutral present at switch



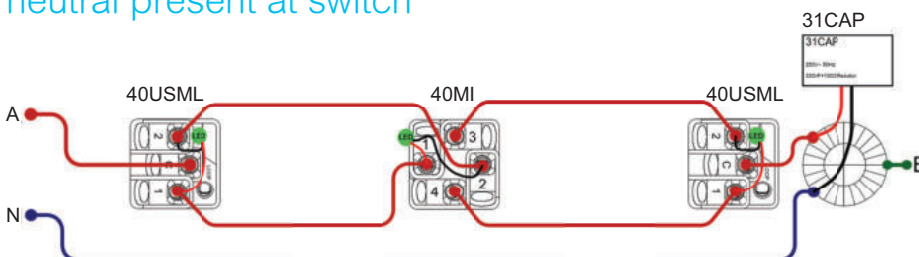
2-Way switching, LED indicator "ON" when load is "OFF"- Neutral present at switch



2-Way switching, LED indicator is "ON" when load is "OFF"- No neutral present at switch



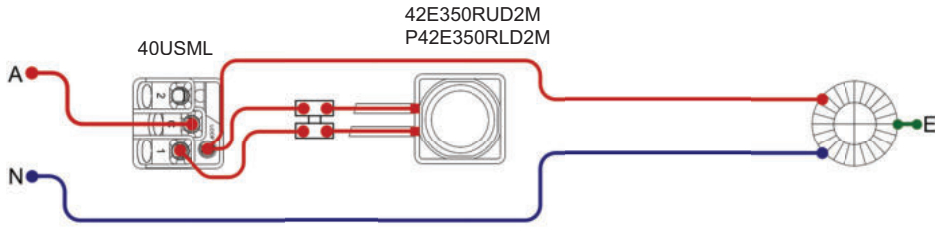
Multi-way switching, LED indicator is "ON" when load is "OFF"- No neutral present at switch



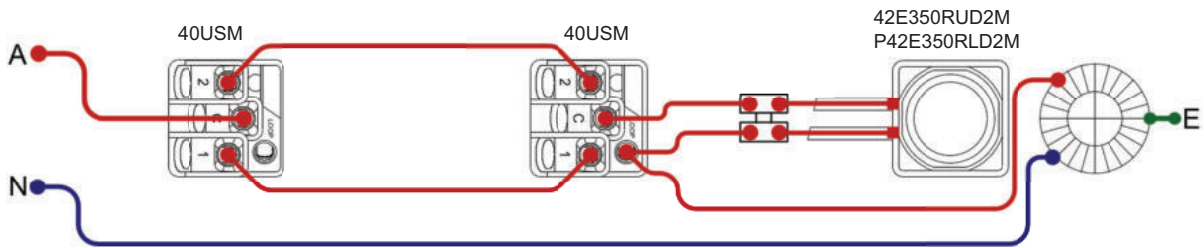
***31CAP to be installed in parallel with the load to counter for larger current leakage.

Mechanical Switching (cont'd)

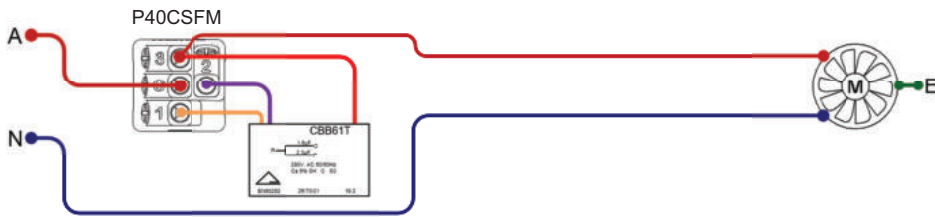
Switch and Rotary Dimmer



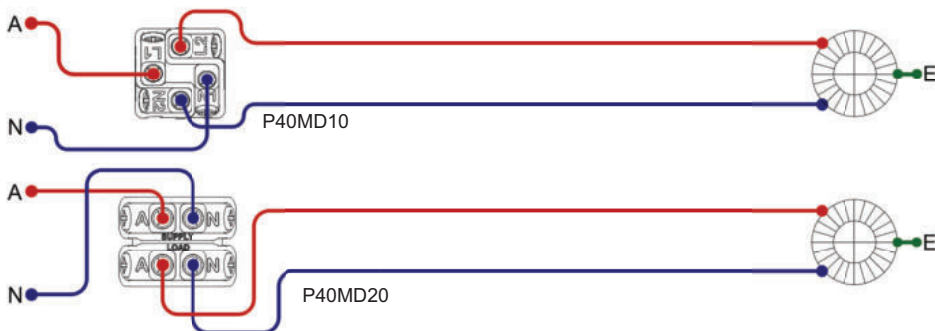
2-Way Switching with Rotary Dimmer



Rotary Fan Controller

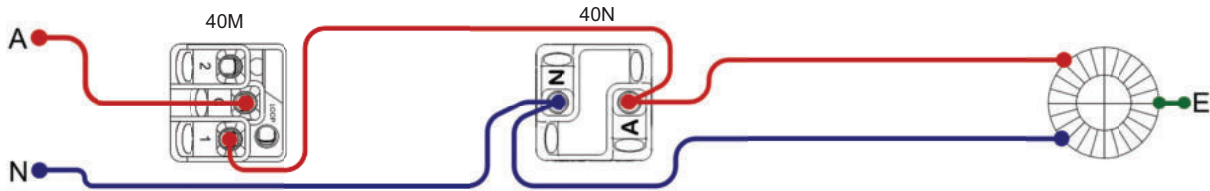


Double Pole Switching

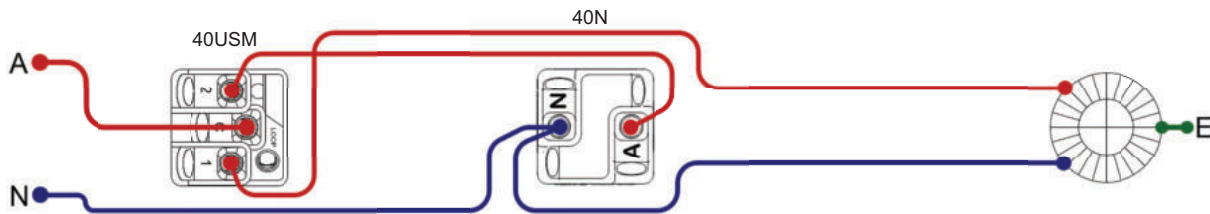


Mechanical Switching (cont'd)

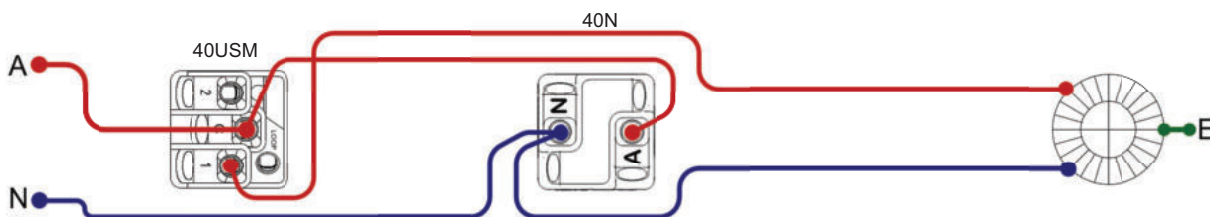
Switching with LED indicator module LED indicator "ON" when load is "ON"



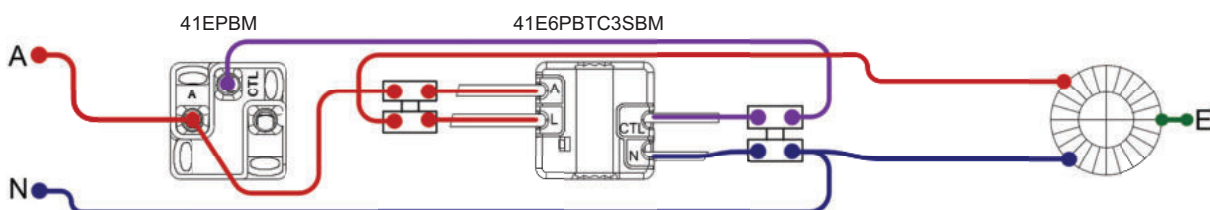
Switching with LED indicator module LED indicator "ON" when load is "OFF"



Switching with LED indicator module LED indicator "ON" permanently (Power Available Indicator)

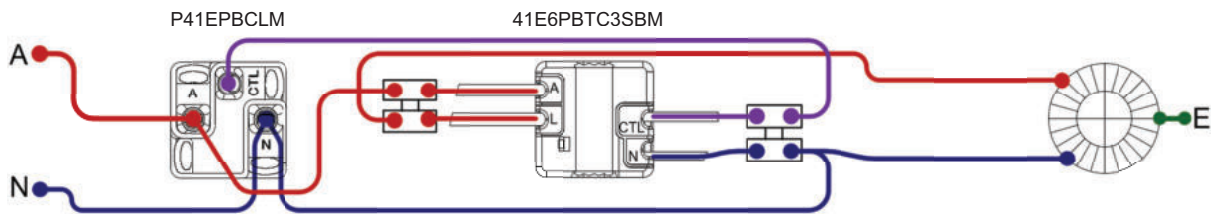


2-Way Switching (LED indication at Master only) - 2 Wire Slave, 3 Wire Master

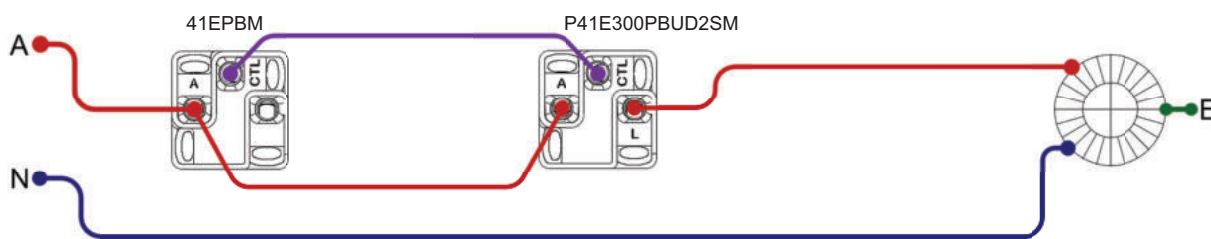


Mechanical Switching (cont'd)

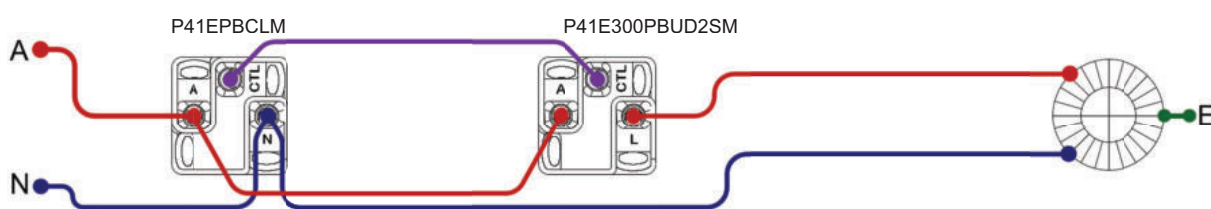
2-Way Switching (LED indications at both ends) - 3 Wire Slave & Master



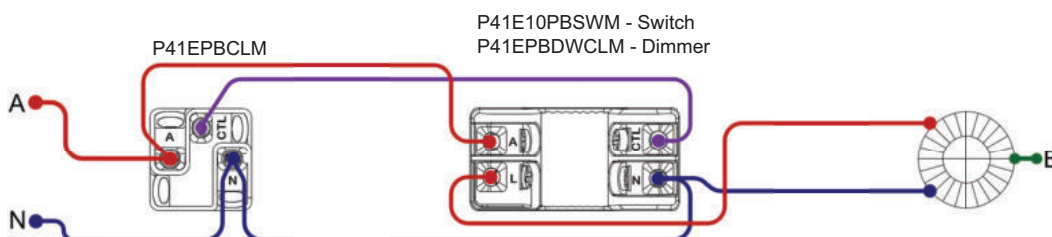
2-Way Dimming (LED indication at Master only) - 2 Wire Slave & Master



2-Way Dimming (LED indications at both ends) - 3 Wire Slave, 2 Wire Master

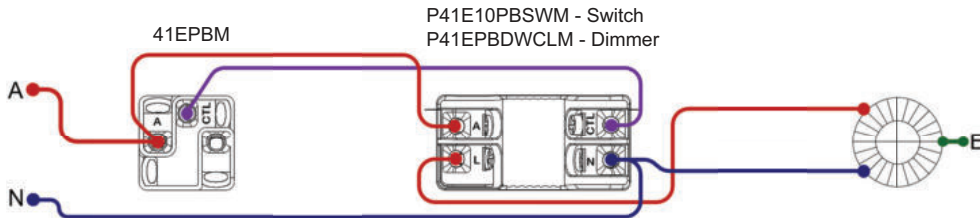


2-Way Switching and/ or Dimming (LED indicators at both ends) - 3 Wire Slave & Master

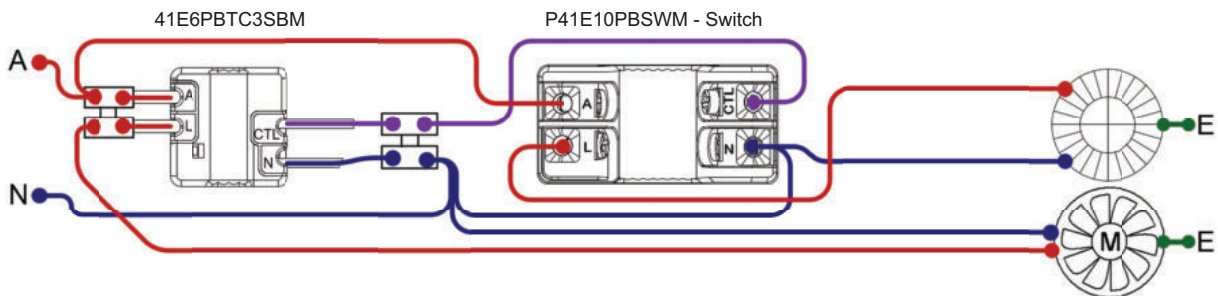


Mechanical Switching (cont'd)

2-Way Switching and/ or Dimming (LED indication at Master only) - 2 Wire Slave, 3 Wire Master

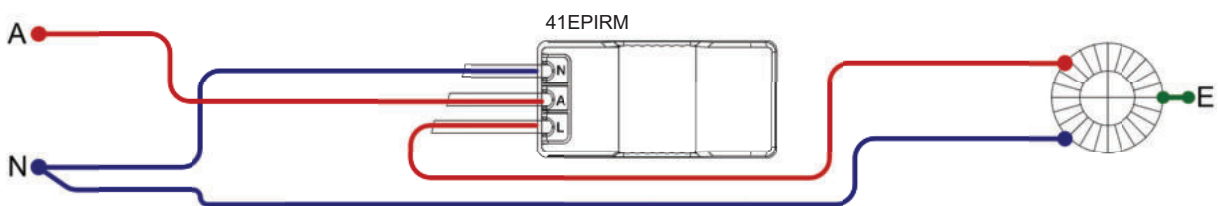


Run-on Fan Timer (Triggered from a Light) - 3 Wire Masters

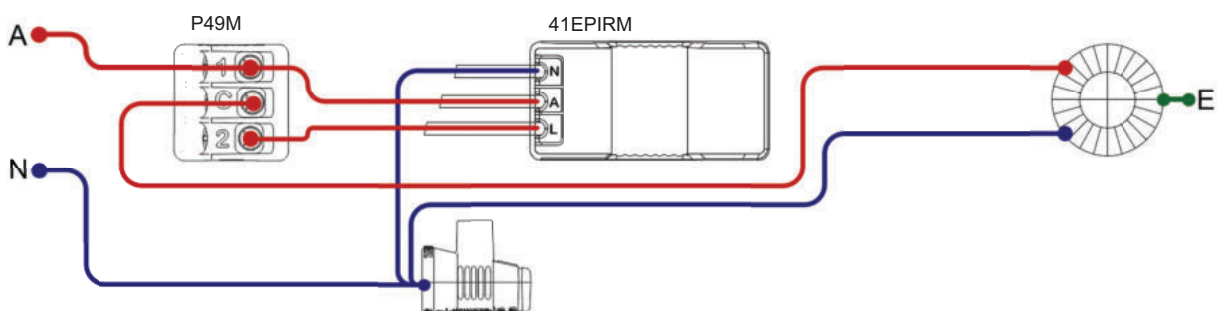


***41E6PBTC3SBM MUST be in Run-On mode and 41E10PBSWM/ P41E10PBSWM in switch mode.

Switching with PIR Sensor



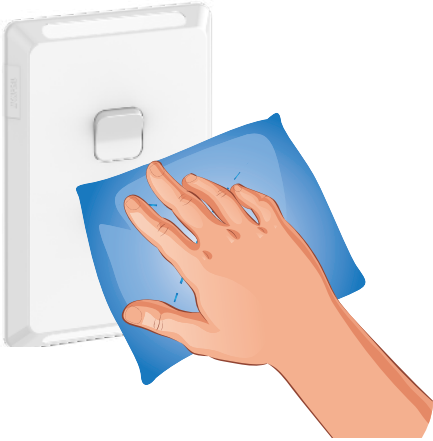
Switching with PIR Sensor with override switch



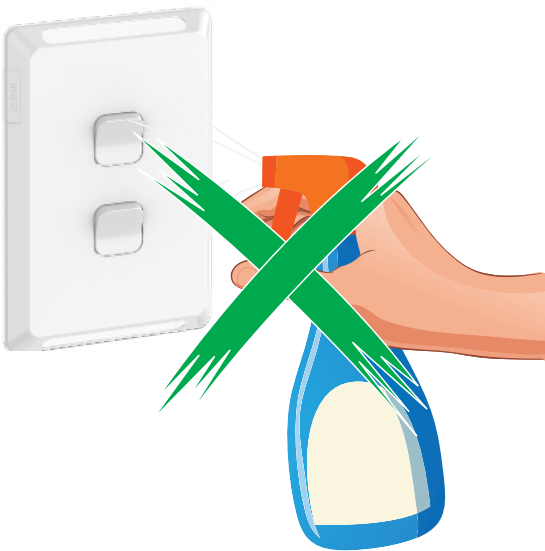
General Instructions

Cleaning

- Clean with a soft damp cloth.



- Avoid household Cleaning chemicals.





For more information about Pro Series, contact your local Clipsal and Schneider Electric Partner Business Representative, electrical wholesaler, or visit: clipsal.com/proseries

Schneider Electric (Australia) Pty. Ltd.
33-37 Port Wakefield Road,
Gepps Cross, South Australia, 5085
PO Box 132, Enfield Plaza,
South Australia, 5085
www.schneider-electric.com.au

Consumer Support Enquiries
Phone: 1300 669 925
Website: clipsal.com/contactus

National Customer Care (Trade only)
Phone: 1300 369 233
Email: plugin@clipsal.com.au

© 2020 Schneider Electric. All Rights Reserved. Pro Series and Clipsal are trademarks of Schneider Electric (Australia) PTY Limited.
This document has been printed on recycled paper.
• NNZ5418900 Issue 00

clipsal.com/proseries

Life Is 


by Schneider Electric