

# Fire Rated Wall Boxes

Now acoustically rated and designed for easy fixing



# Wall Boxes that can take the heat

Now easier

## Suitable for one and two hour fire rated walls

Maintaining fire ratings of walls even in back to back installations, Clipsal Fire Rated Wall Boxes are manufactured from robust Galvabond to prevent distortion or corrosion, even under the toughest of conditions.

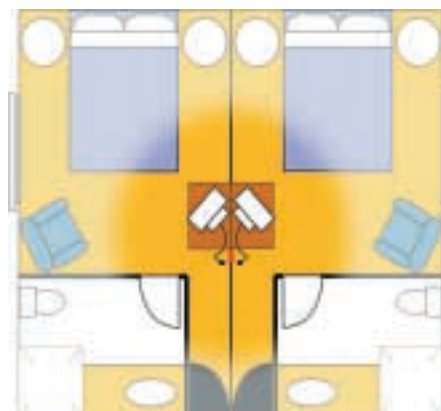
All wall boxes are provided with ample knockouts for easy cable access. In addition, fixing boxes to plasterboard walls is easier than ever before thanks to clamping arms that quickly slide into place and tighten.

Installation of electrical accessories into the wall boxes is simple with the adjustable 84mm centres.

## Acoustically rated up to STC50

The sound transmission rating of these wall boxes makes them perfect for back to back installation in almost any location, including units, apartments, motels, hospitals and commercial premises.

## A typical back to back installation



## Performance

All the Clipsal Fire Rated Wall Boxes have been tested in accordance with AS1530.4 and AS4072.1 for Fire Rating and have achieved an FRL of both -/60/60 and -/120/120 in appropriately constructed partitions.

Similarly, all the Clipsal Fire Rated Wall Boxes were tested in accordance with AS1191, AS1276, AS1045, for sound transmission and achieved a rating of up to STC 50 using various Clipsal accessories.

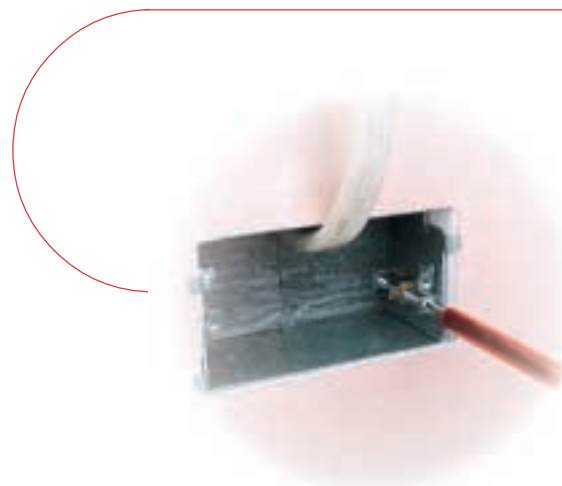
These ratings are all dependent on strict adherence to installation instructions.



1. Use box to mark cut-out size



2. Carefully cut opening to ensure

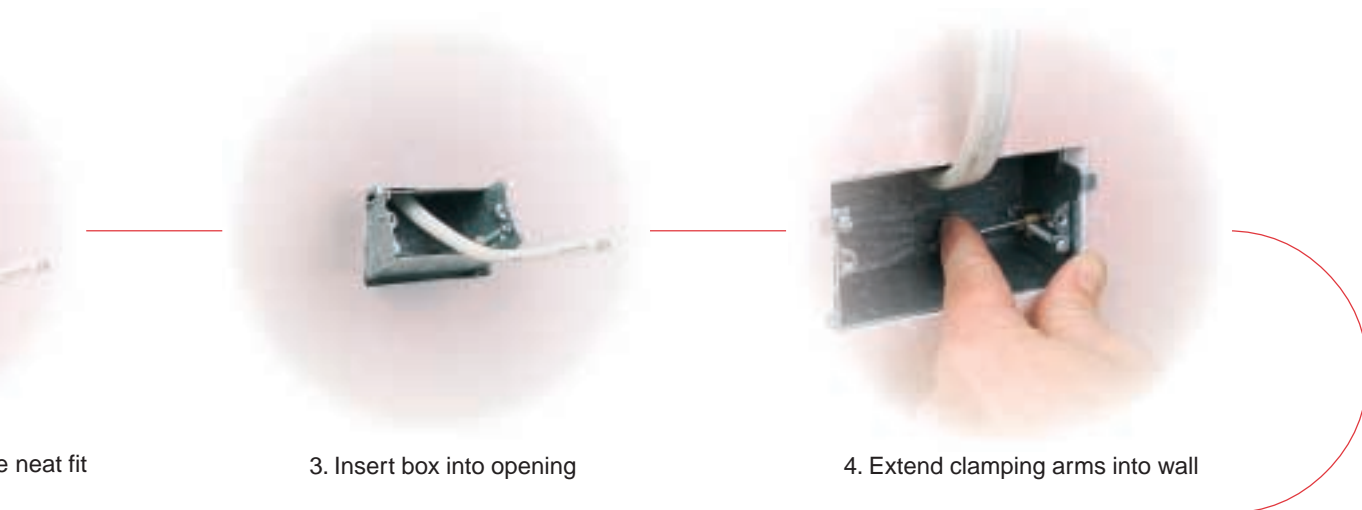


5. Tighten clamping screws until box is firmly fixed.



6. Ens

to fix into plasterboard walls.



neat fit

3. Insert box into opening

4. Extend clamping arms into wall



Ensure gasket is fitted to  
maintain the acoustic rating.

7. Attach accessory with  
fixing screws.

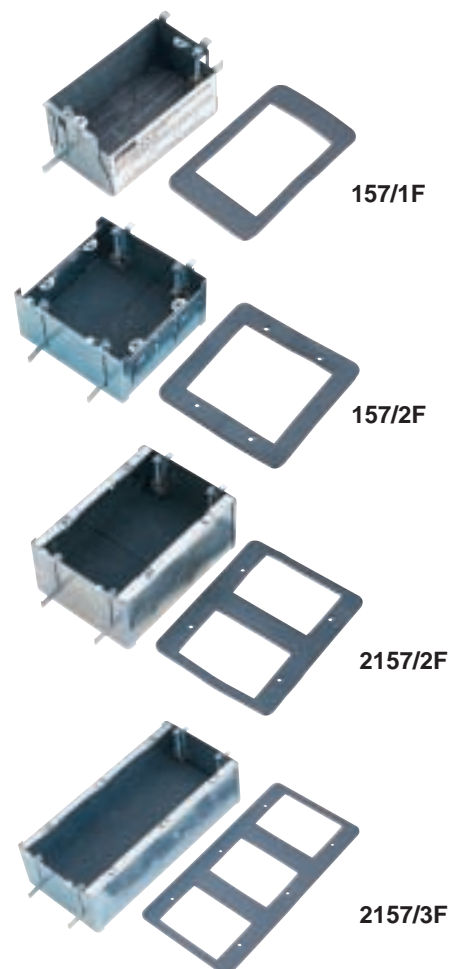
8. When painting is complete, surround  
clicks on for a perfect finish.



Feature	Benefit
Adjustable 84mm centres.	Accessories easy to align.
Robust construction.	No distortion, even in the toughest conditions.
High quality corrosion resistant finish.	Guaranteed not to rust.
Ample knockouts.	Easy access for cables.
1 & 2 hour fire rating - back to back.	Suitable for virtually any fire rated application.
Acoustic rated up to STC50.	Sound transmission rating for virtually any application.

## Only Clipsal can offer a range like this:

Cat. No.	Description
<b>157/1F</b>	One gang Wall Box for mounting all standard pattern accessories in the Standard Range, 2000 Series, C2000 Series and Metal Plate Range, as well as most products in the Prestige P2000 Range. Cut out size: 96mm x 52mm.
<b>157/2F</b>	Two gang Wall Box for mounting large format switches such as 31/2VA, 25/2 and similar products, as well as Prestige P2000 products such as P2031/2VA, P2032/2VA, P2033/2VA and P2034/2VA. Cut out size: 96mm x 96mm.
<b>2157/2F</b>	Two gang 2000 Series Wall Box which enables 2 x 2000 Series accessories to be mounted on a fire rated wall and covered by a 2000/2 Multiple Surround. Cut out size: 135mm x 98mm.
<b>2157/3F</b>	Three gang 2000 Series Wall Box which enables 3 x 2000 Series accessories to be mounted on a fire rated wall and covered by a 2000/3 Multiple Surround. Cut out size: 206mm x 98mm.



## Sure Fire Sealing with Clipsal Fyre Seal Mastic

### Cat. No. 157FSM

Installing our Fire Rated Wall Boxes is now even easier with new Clipsal Fyre Seal Mastic.

This product is a non-toxic, non-irritant, flexible water based sealant for fire resistant sealing of gaps around wall boxes, cables, conduit, busways and ducts which penetrate walls, floors and ceilings.

It can also be used to replace any intumescent material inadvertently removed during wall box installation.

Supplied in an easy to use 300ml cartridge, Fyre Seal Mastic gives up to 4 hours FRL when tested to AS1530 Part 4 1990.

Despite providing an excellent bond to metal, concrete, plasterboard and cable coverings, it remains soft and flexible after curing in order to accommodate thermal cycling movements.



### Products of Gerard Industries Pty Ltd

ABN 27 007 873 529

#### Head Office

12 Park Terrace, Bowden  
South Australia 5007  
Telephone (08) 8269 0511  
Facsimile (08) 8340 1724  
Internet clipsal.com  
E-Mail plugin@clipsal.com.au

#### Offices in all States

<b>NSW</b>	Sydney	(02) 9794 9200
	Albury	(02) 6041 2377
<b>VIC</b>	Melbourne	(03) 9207 3200
	Country Areas	1800 653 893
<b>QLD</b>	Brisbane	(07) 3244 7444
	Townsville	(07) 4729 3333
<b>SA</b>	Adelaide	(08) 8269 0555
<b>WA</b>	Perth	(08) 9442 4444

<b>TAS</b>	Hobart	(03) 6272 3177
	Launceston	(03) 6343 5900
<b>NT</b>	Darwin	(08) 8947 0278

#### International Enquiries

#### Head Office Export Department

Telephone + 61 8 8269 0587  
Facsimile + 61 8 8340 7350  
E-Mail export@clipsal.com.au

#### New Zealand

#### Clipsal Industries (NZ) Ltd (Auckland)

Telephone (09) 576 3403  
Facsimile (09) 576 1015  
E-Mail headoffice@clipsal.co.nz

#### Customer Service

Free Fax (0508) 250 305  
Auckland/Mobile Phone (09) 572 0014  
Free Phone (0508) CLIPSAL  
2547725

You can find this brochure and many others online in PDF format at:  
**clipsal.com**

Follow the links off the home page or access the following page directly:  
**clipsal.com/wat\_lib\_pdf.cfm**

**clipsal.com**

Gerard Industries Pty Ltd reserves the right to change specifications, modify designs and discontinue items without incurring obligation and whilst every effort is made to ensure that descriptions, specifications and other information in this catalogue are correct, no warranty is given in respect thereof and the company shall not be liable for any error therein.

©Copyright Gerard Industries Pty Ltd  
Printed by Custom Press Pty Ltd (08) 8346 7999