



VECTOR-II 52" AC CEILING FAN



**NEW & IMPROVED AIRFLOW FOR
EVEN BETTER PERFORMANCE**

NOW WITH CCT LED LIGHT!



Wall control
Included



The all ABS, EZI-FIT Vector Fan now comes with added features such as CCT LED light, increased airflow for even better performance, and polyfoam-free packaging for easier disposal. Definitely the tradie's choice for ceiling fans!

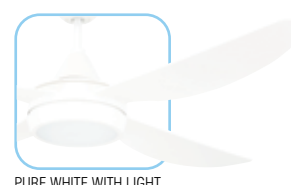
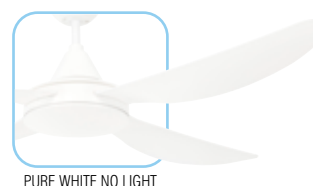
- Patented* Ezi-Fit blades reduce fan assembly and installation time
- Durable corrosion and UV resistant body and canopy construction with high strength moulded ABS blades
- 3 speed wall control with switch included
- Reversible All-Seasons technology for use all year round
- 85% pre-assembled out of the box for fast installation
- Powerful 50W AC motor
- 18W 1400lm CCT 3000K/4200K/6000K) dimmable LED light kit (model with light only)
- Uses our Quick Connect Plug System to reduce installation time
- Suitable for indoor or enclosed alfresco areas
- Compatible with Brilliant remotes and BrilliantSmart fan controllers

APPLICATIONS

- Bedrooms, lounge and family rooms
- Indoors or enclosed alfresco areas not exposed to the weather



Watch our demonstration video here





VECTOR-II 52" AC CEILING FAN

TECHNICAL SPECIFICATIONS

Size	52 inch (1320mm)
Motor Type	AC (Alternate Current)
Operating Voltage	240V / 50Hz
Motor Wattage	50W
Construction	ABS body and canopy
Blade Material	Moulded ABS (x4)
Ceiling install	Hangsure
Blade Pitch	14 degree (effective)
Ceiling Rake	15 degree max
Control	Wall 3 speed with on/off switch (included)
Light Wattage:	18W
Lumens:	1400lm (CCT)
Colour Temperature:	3000K / 4200K / 6000K
Dimmable:	Yes
Other models available	21546/05: 48" pure white no light 22291/05: 48" pure white CCT light 22291/06: 48" matt black CCT light
Warranty	3 year in-home plus 3 year replacement (6-Year) <i>*Limited warranty for wall controller, remote controller and light. Refer to warranty card inside the box for more details.</i>
Standards:	AS/NZS 60335-1 AS/NZS 60335-2-80 AS/NZS 60598-1 AS/NZS 60598-2-1
Patent:	2018201157 (pending)

INSTALLATION

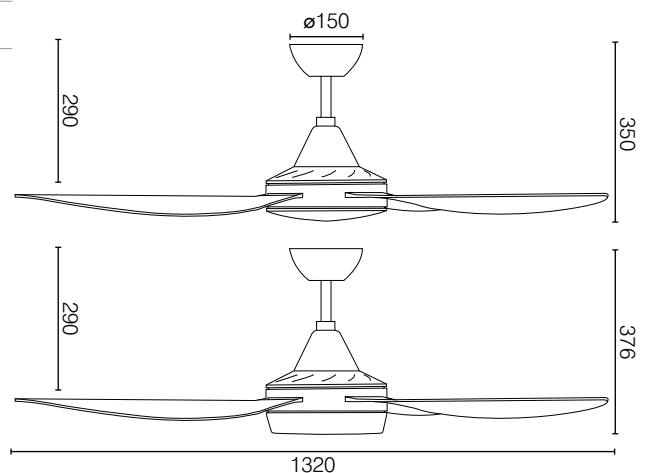
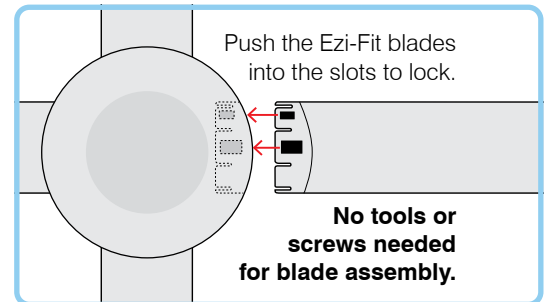
Must be installed by a licensed electrician

AIR MOVEMENT:

SPEED	LOW	MED	HIGH
RPM	111	155	230
Power	15W	26W	50W
Airflow	5,049m ³ /h	7,365m ³ /h	12,500m ³ /h

ACCESSORIES (sold separately)

Extension Rod with loom kits, 900mm x Ø21mm:	100550/05 white, 100550/06 matt black
Extension Rod with loom kits, 1800mm x Ø21mm:	21912/05 white 21912/06 matt black
Remote Kits	99999 Basic 99222 LCD Display 99111 Smart WiFi 99444 Basic 99888 Wall WiFi 99777 Wall Multi Fan



	MODEL	COLOUR	DESCRIPTION	BOX SIZE	GROSS WEIGHT	BOX QTY	BARCODE/TUN
RETAIL BOX	21548/05	Pure White	Vector-II 52	W591 x H318	6.7 kg	1 pc	9 312641 215486 >
	21548/06	Matt Black	AC Fan	x D288 mm			9 312641 218036 >
RETAIL BOX	22293/05	Pure White	Vector-II 52	W591 x H318	6.9 kg	1 pc	9 312641 222934 >
	22293/06	Matt Black	AC Fan & Light	x D288 mm			9 312641 222941 >