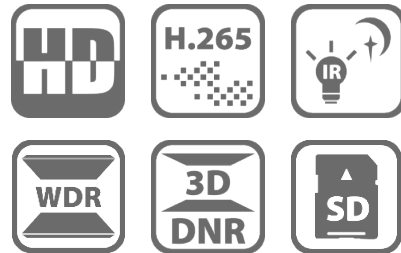




8CH 6MP NETWORK TURRET KIT

HLIK-4286TH-MMP



KEY FEATURES

- 8ch NVR with 2TB HDD
- 4 x 6MP Turret Cameras
- IP66 Weatherproof Cameras
- Up to 30m IR range
- PoE (Power over Ethernet)
- 4K HDMI video outputs
- Mobile view via HiLook Vision app

Camera Features

- 1/2.9" Progressive Scan CMOS
- 2.8 mm fixed lens
- Color: 0.028 Lux @ (F2.0, AGC ON), 0 Lux with IR
- H.265, H.265+, H.264, H.264+
- 120dB WDR
- BLC/3D DNR/ROI/HLC
- Built-in micro SD/SDHC/SDXC card slot, up to 128 GB
- 3-Axis adjustment
- Built-in microphone

NVR Features

- Up to 8-ch IP camera inputs
- H.265+/H.265/H.264+/H.264 video formats
- Up to 1-ch@8 MP/5-ch@1080p decoding capacity
- Up to 80 Mbps incoming bandwidth
- 1 SATA interface for HDD connection (up to 8 TB capacity per HDD)
- Smart search/smart playback to improve the playback efficiency
- HDMI video output at up to 4K resolution
- Support multiple VCA (Video Content Analytics) events
- HiLookVision App for easy network management

FIRE • SECURITY • INTERCOMS

17 Millicent Street, Burwood, VIC 3125 Australia
Tel: 1300 PSA PRODUCTS (1300 772 776)
Fax: (03) 9888 9993
enquiry@psaproducts.com.au psaproducts.com.au





SPECIFICATIONS

Model

HLIPC-T260H-MU

Model		HLIPC-T260H-MU
Camera	Image Sensor	1/2.9" Progressive Scan CMOS
	Min. Illumination	Color: 0.028 Lux @ (F2.0, AGC ON), 0 Lux with IR
	Shutter Speed	1/3 s to 1/100,000 s
	Slow Shutter	Yes
	Day & Night	IR Cut Filter
	Wide Dynamic Range	120 dB
	Angle Adjustment	Pan: 0° to 360°, tilt: 0° to 75°, rotate: 0° to 360°
Lens	Lens Type	Fixed lens, 2.8 mm
	Aperture	F2.0
	FOV	2.8 mm: Horizontal FOV: 97°, vertical FOV: 63°, diagonal FOV: 120°
	Lens Mount	M12
Illuminator	IR Range	Up to 30 m
	IR Wavelength	850 nm
Video	Max. Resolution	3072 × 2048
	Main Stream	50Hz: 20fps (3072 × 2048, 3072 × 1728, 2944 × 1656), 25fps (2560 × 1440, 1920 × 1080, 1280 × 720)
		60Hz: 20fps (3072 × 2048, 3072 × 1728, 2944 × 1656), 30fps (2560 × 1440, 1920 × 1080, 1280 × 720)
	Sub-stream	50Hz: 25fps (640 × 480, 640 × 360, 320 × 240)
		60Hz: 30fps (640 × 480, 640 × 360, 320 × 240)
	Third Stream	50Hz: 25fps (1280 × 720, 640 × 360, 352 × 288)
		60Hz: 30fps (1280 × 720, 640 × 360, 352 × 240)
	Video Compression	Main stream/third stream: H.265/H.264 Sub-stream: H.265/H.264/MJPEG
	H.264 Type	Main Profile/High Profile
	H.264+	Main stream supports
	H.265 Type	Main Profile
	H.265+	Main stream supports
	Video Bit Rate	32 Kbps to 16 Mbps
Scalable Video Coding (SVC)	H.264 and H.265 encoding	
* When the main stream resolution is 2944 × 1656 and above, max frame rate is 20 fps for all streams.		
Audio	Audio Compression	G.711/G.722.1/G.726/MP2L2/PCM/MP
	Audio Bit Rate	64Kbps(G.711)/16Kbps(G.722.1)/16Kbps(G.726)/32-192Kbps(MP2L2)/8Kbps-320Kbps(MP3)
	Environment Noise Filtering	Yes
	Audio Sampling Rate	8 kHz/16 kHz/32 kHz/44.1 kHz/48 kHz
Smart Feature-Set	Smart Event	Line crossing detection and intrusion detection
	Basic Event	Motion detection, video tampering alarm, exception (network disconnected, IP address conflict, illegal login, HDD full, HDD error)
	Linkage Method	Upload to FTP/NAS/memory card, notify surveillance center, send email, trigger recording, trigger capture
	Region of Interest	1 fixed region for main stream and sub-stream
Image	Image Enhancement	BLC, HLC, 3D DNR
	Image Setting	Rotate mode, saturation, brightness, contrast, sharpness, AGC and white balance adjustable by client software or web browser
	Day/Night Switch	Day/Night/Auto/Schedule



Model

HLIPC-T260H-MU

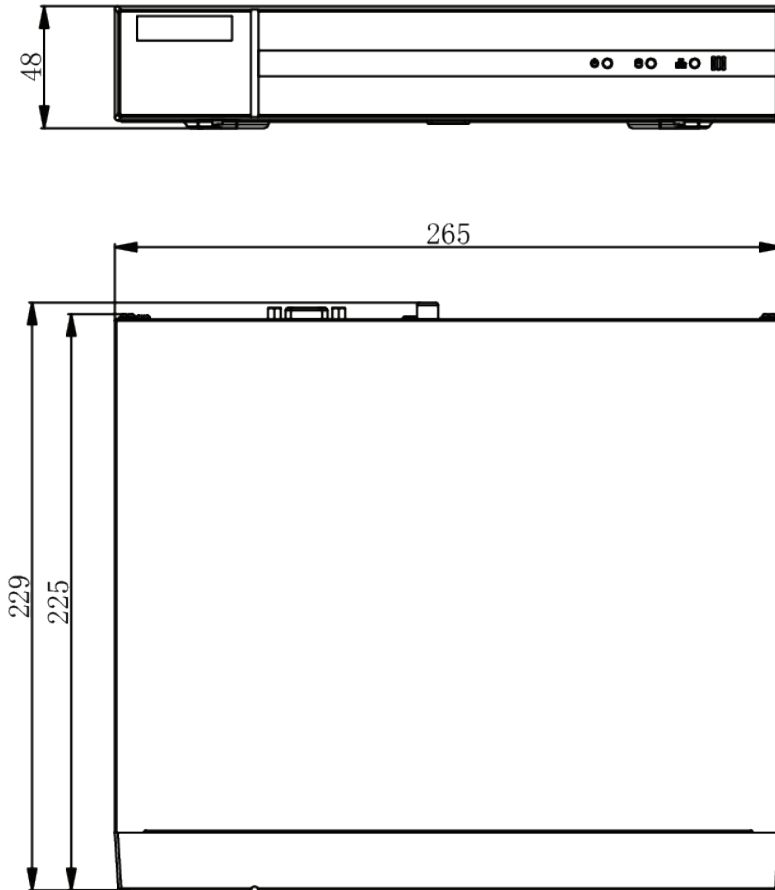
Model		HLIPC-T260H-MU
Network	Network Storage	microSD/SDHC/SDXC card (128 GB), local storage and NAS (NFS,SMB/CIFS), ANR Together with high-end Hikvision memory card, memory card encryption and health detection are supported.
	Protocols	TCP/IP, ICMP, HTTP, HTTPS, FTP, DHCP, DNS, DDNS, RTP, RTSP, RTCP, PPPoE, NTP, UPnP™, SMTP, SNMP, IGMP, 802.1X, QoS, IPv6, UDP, Bonjour, SSL/TLS
	API	ONVIF (PROFILE S, PROFILE G), ISAPI, SDK
	Security	Password protection, complicated password, HTTPS encryption, 802.1X authentication (EAP-MD5), watermark, IP address filter, basic and digest authentication for HTTP/HTTPS, WSSE and digest authentication for ONVIF, TLS1.2
	Simultaneous Live View	Up to 6 channels
	User/Host	Up to 32 users, 3 levels: administrator, operator and user
	Client	HiLookVision PC Client, HiLookVision App
	Web Browser	Plug-in required live view: IE8+, Chrome 41.0-44, Mozilla Firefox30.0-51, Safari8.0-11 Plug-in free live view: Chrome 45.0+, Mozilla Firefox52.0+
Interface	Communication Interface	1 RJ45 100M self-adaptive Ethernet port
	Audio	1 audio input (built-in microphone), mono sound
	Video Output	No
	Interface Style	Pigtail style interface
	On-board storage	Built-in micro SD/SDHC/SDXC slot, up to 128 GB
General	Firmware Version	5.5.83
	Web Client Language	32 languages - English, Russian, Estonian, Bulgarian, Hungarian, Greek, German, Italian, Czech, Slovak, French, Polish, Dutch, Portuguese, Spanish, Romanian, Danish, Swedish, Norwegian, Finnish, Croatian, Slovenian, Serbian, Turkish, Korean, Traditional Chinese, Thai, Vietnamese, Japanese, Latvian, Lithuanian, Portuguese (Brazil)
	General Function	Anti-flicker, three streams, heartbeat, mirror, 4 regions of privacy mask
	Reset	Reset via reset button on camera body, web browser and client software
	Startup and Operating Conditions	-30 °C to 60 °C (-22 °F to 140 °F), humidity 95% or less (non-condensing)
	Storage Conditions	-30 °C to 60 °C (-22 °F to 140 °F), humidity 95% or less (non-condensing)
	Power Supply	12 VDC ± 25%, Ø 5.5 mm coaxial power plug; PoE (802.3af, class 3)
	Power Consumption and Current	12 VDC, 0.5 A, max. 6 W; PoE (802.3af, 36 V to 57 V), 0.3 A to 0.2 A, max. 7.5 W
	Material	Metal
	Dimensions	Camera: Ø 127.3 × 95.9 mm (5" × 3.8") With package: 150 × 150 × 141 mm (5.9" × 5.9" × 5.6")
Weight	Camera: Approx. 635 g (1.4 lb.) With package: Approx. 890 g (1.96 lb.)	
Approval	EMC	47 CFR Part 15, Subpart B; EN 55032: 2015, EN 61000-3-2: 2014, EN 61000-3-3: 2013, EN 50130-4: 2011 +A1: 2014; AS/NZS CISPR 32: 2015; ICES-003: Issue 6, 2016; KN 32: 2015, KN 35: 2015
	Safety	UL 60950-1, IEC 60950-1:2005 + Am 1:2009 + Am 2:2013, EN 60950-1:2005 + Am 1:2009 + Am 2:2013, IS 13252(Part 1):2010+A1:2013+A2:2015
	Chemistry	2011/65/EU, 2012/19/EU, Regulation (EC) No 1907/2006
	Protection	Ingress protection: IP66 (IEC 60529-2013)

* Listed resolutions are only selectable options. It does not mean that all streams can work at their maximum resolution at the same time.



SPECIFICATIONS

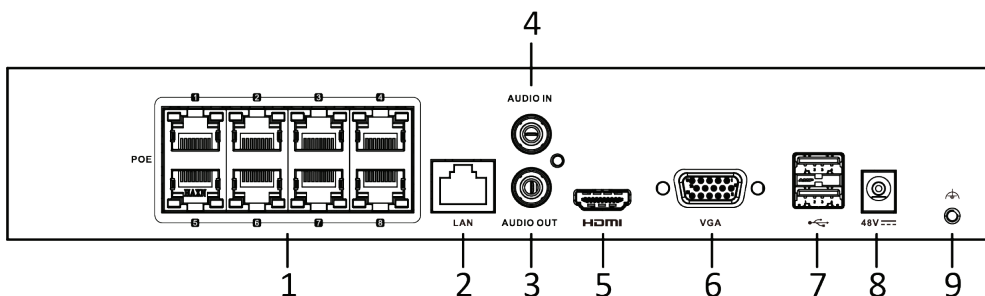
Model	HLNVR-108MH-C8P	
Video and Audio	IP video input	8-ch Up to 8 MP resolution
	Incoming bandwidth	80 Mbps
	Outgoing bandwidth	80 Mbps
	HDMI output	1-ch, 4K (4096 x 2160)/30 Hz, 4K (3840 x 2160)/30 Hz, 2K (2560 x 1440)/60 Hz, 1920 x 1080/60 Hz, 1600 x 1200/60 Hz, 1280 x 1024/60 Hz, 1280 x 720/60 Hz
	VGA output	1-ch, 1920 x 1080/60 Hz, 1280 x 1024/60 Hz, 1280 x 720/60 Hz
	Video output mode	HDMI/VGA simultaneous output
	CVBS output	N/A
	Audio output	1-ch, RCA (Linear, 1 K Ω)
	Two-way audio input	1-ch, RCA (2.0 Vp-p, 1 K Ω , using the audio input)
Decoding	Decoding format	H.265+/H.265/H.264+/H.264
	Recording resolution	8 MP/6 MP/5 MP/4 MP/3 MP/1080p/UXGA/720p/VGA /4CIF/DCIF/2CIF/CIF/QCIF
	Synchronous playback	8-ch
	Capability	1-ch@8 MP (30 fps)/5-ch@1080p (30 fps)
	Stream type	Video, Video & Audio
	Audio compression	G.711ulaw/G.711alaw/G.722/G.726
Network	Remote connection	64
	Network protocol	TCP/IP, DHCP, IPv4, IPv6, DNS, DDNS, NTP, RTSP, SADP, SMTP, SNMP, NFS, iSCSI, ISUP, UPnP™, HTTP, HTTPS
	Network interface	1, RJ-45 10/100 Mbps self-adaptive Ethernet interface
POE Interface	Interface	8, RJ-45 10/100 Mbps self-adaptive Ethernet interface
	Power	≤ 75 W
	Supported stan	IEEE 802.3 af/at
Auxiliary Interface	SATA	1 SATA interface
	Capacity	Up to 8 TB capacity for each disk
	USB interface	Rear panel: 2 x USB 2.0
General	Power supply	48 VDC, 1.88 A
	Consumption (without HDD and PoE off)	≤ 10 W
	Working temperature	-10 °C to 55 °C (14 °F to 131 °F)
	Working humidity	10% to 90%
	Dimension (W x D x H)	265 x 225 x 48 mm (10.2" x 8.9" x 1.9")
	Weight(without hard disk)	≤ 1 kg (2.2 lb)
Certification	FCC	Part 15 Subpart B, ANSI C63.4-2014
	CE	EN 55032: 2015, EN 61000-3-2, EN 61000-3-3, EN 50130-4, EN 55035: 2017



PHYSICAL INTERFACES

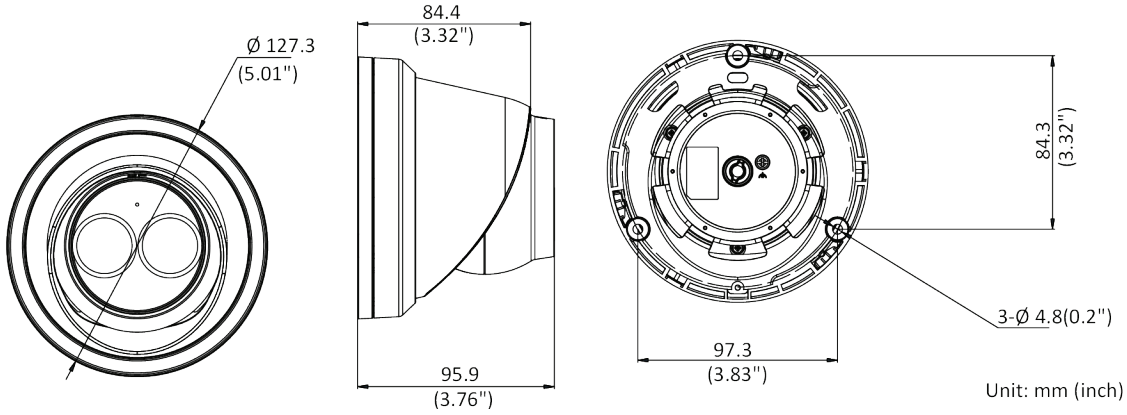
INDEX	DESCRIPTION
1	PoE Interfaces
2	LAN Interface
3	AUDIO OUT
4	AUDIO IN
5	HDMI Output

INDEX	DESCRIPTION
6	VGA Output (DB9 Connector)
7	USB Interfaces
8	Power Supply
9	Ground





DIMI



ACCESSORY *not all stocked



DS-1271ZJ-130-TRL
Pendant Mount



DS-1276ZJ-SUSB
Corner Mount (Black)



DS-1281ZJ-MB (Black)
Inclined Ceiling Mount



DS-1275ZJ-SUS
Vertical Pole Mount



DS-1271ZJ-130-TRLB
Pendant Mount (Black)



DS-1280ZJ-DM8B
Junction Box (Black)



DS-1281ZJ-M
Inclined ceiling Mount



DS-1273ZJ-130B-TRL
Wall mount



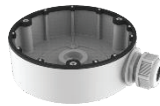
DS-1276ZJ-SUS
Corner mount



DS-1275ZJ-SUSB
Vertical Pole Mount (Black)



DS-1273ZJ-130-TRLB
Wall Mount (Black)



DS-1280ZJ-DM8
Junction box



DS-1273ZJ-130-TRL
Wall mount

FIRE • SECURITY • INTERCOMS